



Chipsmall Limited consists of a professional team with an average of over 10 year of expertise in the distribution of electronic components. Based in Hongkong, we have already established firm and mutual-benefit business relationships with customers from,Europe,America and south Asia,supplying obsolete and hard-to-find components to meet their specific needs.

With the principle of “Quality Parts,Customers Priority,Honest Operation,and Considerate Service”,our business mainly focus on the distribution of electronic components. Line cards we deal with include Microchip,ALPS,ROHM,Xilinx,Pulse,ON,Everlight and Freescale. Main products comprise IC,Modules,Potentiometer,IC Socket,Relay,Connector.Our parts cover such applications as commercial,industrial, and automotives areas.

We are looking forward to setting up business relationship with you and hope to provide you with the best service and solution. Let us make a better world for our industry!



Contact us

Tel: +86-755-8981 8866 Fax: +86-755-8427 6832

Email & Skype: info@chipsmall.com Web: www.chipsmall.com

Address: A1208, Overseas Decoration Building, #122 Zhenhua RD., Futian, Shenzhen, China



VM Series

Variable Mount Heatsink Series

Ohmite introduces this new versatile heatsink design. This new design can accommodate several different industry packages. This design also lets the customer choose a mounting style using screws or clips for secure mounting to the heatsink. These one of a kind heatsinks are offered in a vertical (free convection cooling) or horizontal format (forced convection cooling) to fit customer applications.



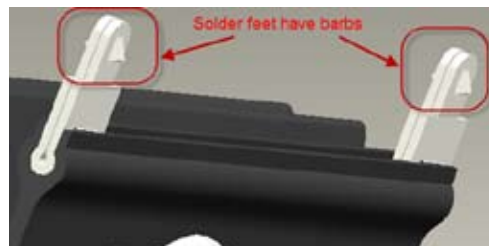
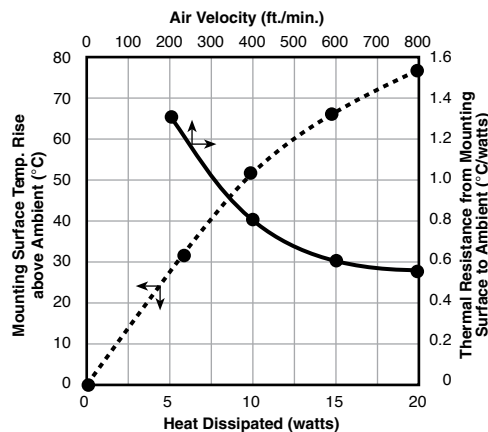
SERIES SPECIFICATIONS

Heatsink Part Number	Mount	Surface Area (in ² / mm ²)	Weight (oz / g)	Length L or Height H (mm)	Surface Finish
VM1-038-1AE	vertical				
VM2-038-1AE	horizontal	39.6 / 25,546	1.48 / 42	38.6	anodized
VM3-038-1AE	universal				

CHARACTERISTICS

Heat Sink	Aluminum Alloy 6063-T5 or Equivalent with either degreased or black anodized finish
Solder Foot	Cold-rolled Steel, Per ASTM A-366 with pure tin over copper strike. RoHS compliant. Barbed for secure attachment
Interface Thermal Resistance	for improvement, use thermal joint compound, 0.005 Grafoil (TGon 800 by Laird), or phase change material (Hi-Flow by Bergquist) Insulator (Optional) Sil-Pad 900-S, K6 800-S and K10 by Bergquist

Heat Dissipation



(continued)

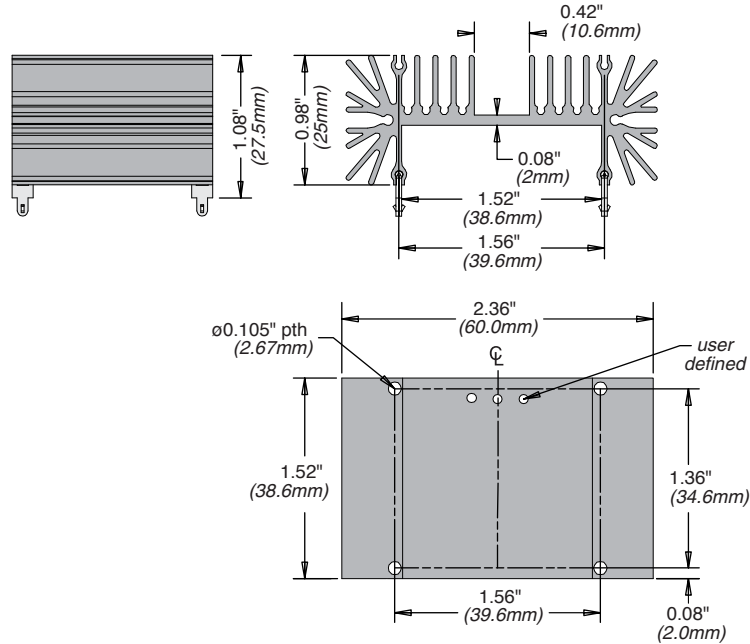
VM Series

Variable Mount Heatsink Series

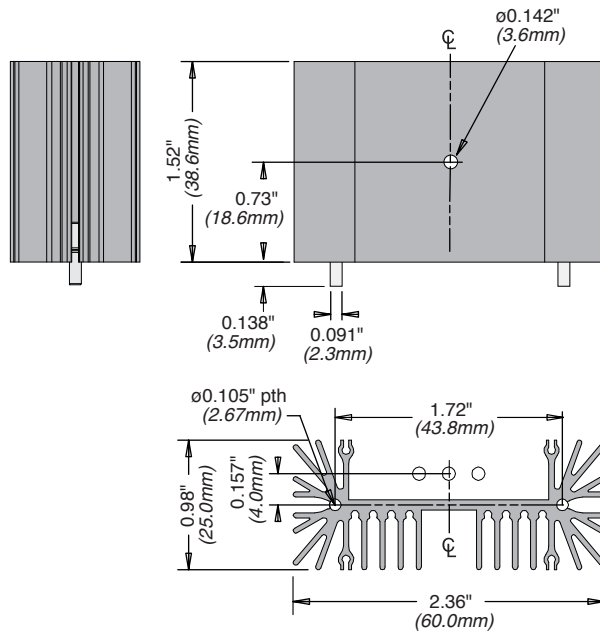
DIMENSIONS

(in./mm)

Horizontal Configuration




Vertical Configuration



HOW TO ORDER

Finish
 A = black anodized
 V = degreased

VM1-038-1AE

Series Mount Length Configuration  RoHS compliant
 1 = Vertical (mm) 1 = 1 hole (TO-247, TO-220)
 2 = Horizontal
 3 = Universal