



Chipsmall Limited consists of a professional team with an average of over 10 year of expertise in the distribution of electronic components. Based in Hongkong, we have already established firm and mutual-benefit business relationships with customers from,Europe,America and south Asia,supplying obsolete and hard-to-find components to meet their specific needs.

With the principle of “Quality Parts,Customers Priority,Honest Operation,and Considerate Service”,our business mainly focus on the distribution of electronic components. Line cards we deal with include Microchip,ALPS,ROHM,Xilinx,Pulse,ON,Everlight and Freescale. Main products comprise IC,Modules,Potentiometer,IC Socket,Relay,Connector.Our parts cover such applications as commercial,industrial, and automotives areas.

We are looking forward to setting up business relationship with you and hope to provide you with the best service and solution. Let us make a better world for our industry!



Contact us

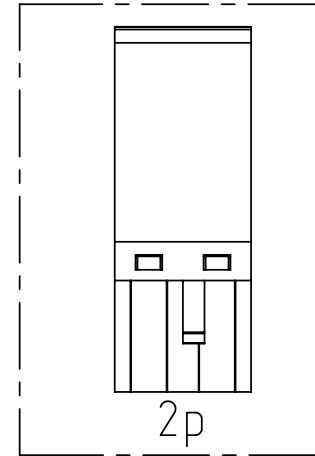
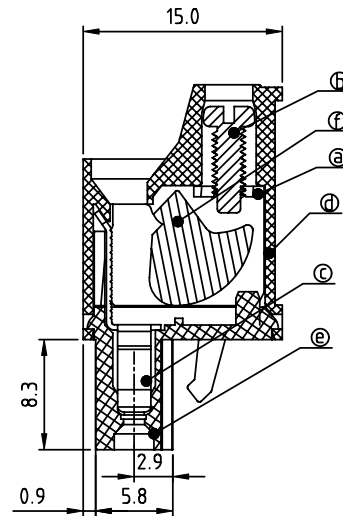
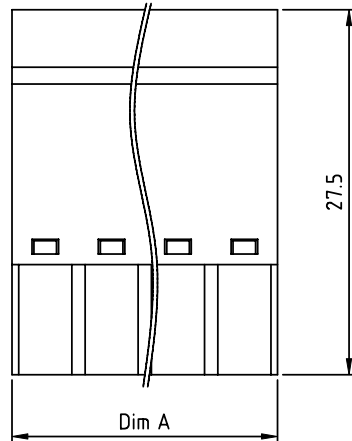
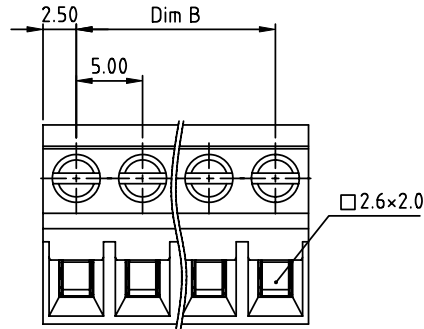
Tel: +86-755-8981 8866 Fax: +86-755-8427 6832

Email & Skype: info@chipsmall.com Web: www.chipsmall.com

Address: A1208, Overseas Decoration Building, #122 Zhenhua RD., Futian, Shenzhen, China



PRODUCT NUMBER	PITCH
VMxx75x000J0G	5.00 mm



Material:

- Item (a) Clamp: Steel zinc plated.
- Item (b) Terminal screw: Steel Zinc plating "-" slot type
- Item (c) Female contact: High conductivity copper Tin plated
- Item (d) Terminal (top body): Thermoplastic (UL94V-0)
- Item (e) Terminal (bottom body): Thermoplastic (UL94V-0)
- Item (f) Clampage: Steel Zinc plated

Electrical cULus/TUV

- Voltage rating: 300VAC/300VAC
- Current rating: 20A/20A
- Wire range: 0.34-2.5mm²
- Solid wire(AWG): 12-22
- Stranded wire(AWG): 12-22
- Torque: 3.5Lb-In / 0.4Nm
- Screw: M2.5
- Wire strip length: 8-9mm
- Withstanding Voltage: 1.6KV/2.5KV
- Operating temperature: -40°C to +115°C
- Safety approval:

PART NO.: VM xx 75 x 0 00J 0 G

N=NUMBER OF POLES

Dim A=(N-1)×5.00+5.00
Dim B=(N-1)×5.00

POLES	Tolerance
2P-6P	±0.20
7P-12P	±0.25
13P-18P	±0.30
19P-24P	±0.40

Solid block	No. of poles	Color	RoHS compliant (lead<4%) In copper Alloy
0	2	Black (RAL9005)	
02	2 poles	Red (RAL3001/D)	
03	3 poles	Orange(RAL2011/P)	
4	4 poles	Yellow(RAL1018/A)	
5	5 poles	Green(RAL6018/T)	
6	6 poles	Blue (RAL5015/A)	
8	8 poles	Grey(RAL7035/D)	
9	9 poles	White(RAL1102)	
C	Green(RAL6018/U)		

mat'l. code		surface ASME Y14.5	tolerance ASME Y14.5	projection	product family
ltr ecn no dr date		tolerances unless otherwise specified			TERMINAL BLOCK
		angles	X.±0.5	MM	title
		X*±1"	X.X±0.3	scale	TERMINAL BLOCK
		dr	EVIN ZHONG 042114		PLUGGABLE PLUG,WITHOUT FLANGE
		enrg	EVIN ZHONG 042114		dwg no
		chr	HANKE FENG 042114		sheet 1 of 1
		appd	SHI JUN 042114		size
sheet index	revision sheet	A	1		VMxx75x000J0G A4
					type
					CUSTOMER Drawing