



Chipsmall Limited consists of a professional team with an average of over 10 year of expertise in the distribution of electronic components. Based in Hongkong, we have already established firm and mutual-benefit business relationships with customers from,Europe,America and south Asia,supplying obsolete and hard-to-find components to meet their specific needs.

With the principle of “Quality Parts,Customers Priority,Honest Operation,and Considerate Service”,our business mainly focus on the distribution of electronic components. Line cards we deal with include Microchip,ALPS,ROHM,Xilinx,Pulse,ON,Everlight and Freescale. Main products comprise IC,Modules,Potentiometer,IC Socket,Relay,Connector.Our parts cover such applications as commercial,industrial, and automotives areas.

We are looking forward to setting up business relationship with you and hope to provide you with the best service and solution. Let us make a better world for our industry!



Contact us

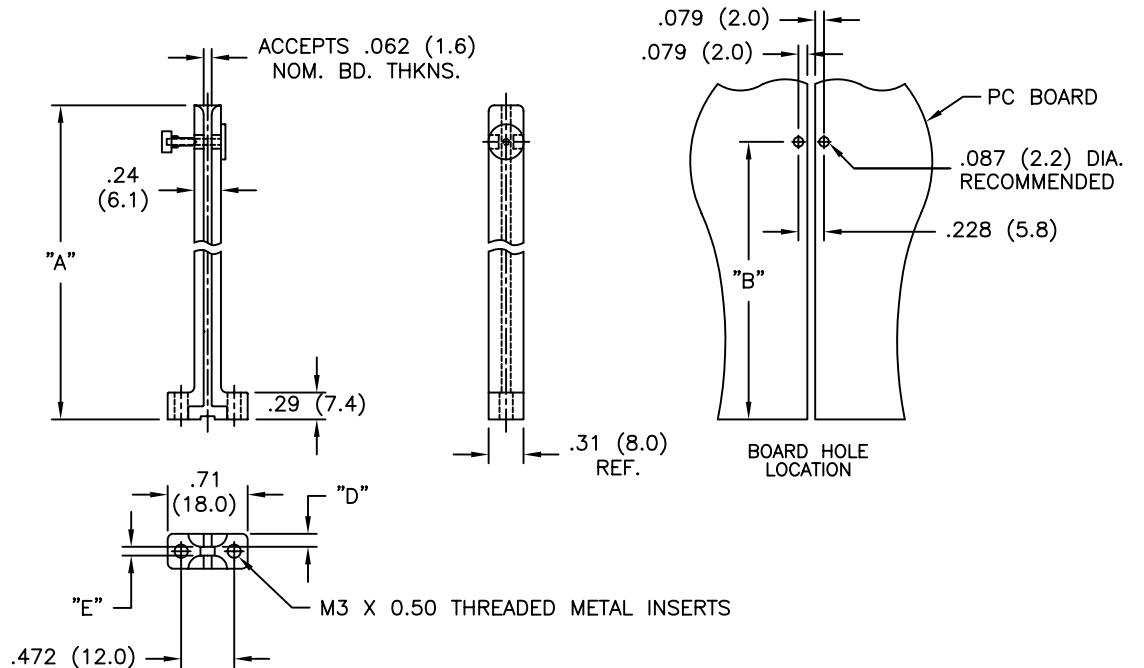
Tel: +86-755-8981 8866 Fax: +86-755-8427 6832

Email & Skype: info@chipsmall.com Web: www.chipsmall.com

Address: A1208, Overseas Decoration Building, #122 Zhenhua RD., Futian, Shenzhen, China



PART NO.	"A"	"B"	"D"	"E"
VMCG-50-MPBK-K	1.83 (46.5)	1.67 (42.3)	.104 (2.6)	.105 (2.7)
VMCG-65-MPBK-K	2.56 (65.0)	2.22 (56.5)	.118 (3.0)	.079 (2.0)
VMCG-90-MPBK-K	3.54 (90.0)	3.21 (81.5)		
VMCG-135-MPBK-K	5.31 (135.0)	4.98 (126.5)		
VMCG-160-MPBK-K	6.30 (160.0)	4.43 (112.5)		
VMCG-330-MPBK-K	4.73 (120.1)	4.43 (112.5)		



NOTES:

- MATERIAL: NYLON 6, GLASS FILLED, (RMS-38)
-FLAME RETARDANT NYLON 6 UL 94 V-0,
30% GLASS FILLED (RMS-371), AVAILABLE
BY SPECIAL ORDER.
TO ORDER US P/N: VMCG-XX-MPBK-FR-K
- COLOR: GRAY.
- COMPONENTS:
 - LOCKING BUTTON: HDPE (RMS-284)
 - SCREW: STAINLESS STEEL (RMS-228)
 - THREADED INSERT: BRASS (RMS-231)
 - WASHER: STAINLESS STEEL (RMS-228)

TITLE: VERTICAL MOUNT CARD GUIDE, TYPE 1			DWG IN IN (MM) FINAL				
K	SEE CO 200084 FOR CHANGES	SK 12.06.07	FILE # VMCG-1	DWN: P.B.	APP:	PART # SEE TABLE	PRINT TYPE CA
J	SEE ECN #1356 FOR CHANGES	SK 08.22.07	MAT'L: SEE NOTES	DT: 03-23-94	DT:		
I	SEE ECN #1285 FOR CHANGES	SK 02.12.07	RE: RICHCO, INC.	RICHCO INC. PO BOX 804238, CHICAGO, 60680 (773) 539-4060			
H	SEE ECN #1146 FOR CHANGES	SJ 3.28.06					
X	SEE ENGINEERING FOR REV. A~G						
REV	DESCRIPTION	ENGR DATE	TOLERANCES UNLESS NOTED .XX=±.010 .XXX=±.005 FRAC=±1/64 ANG=±1°				