



Chipsmall Limited consists of a professional team with an average of over 10 year of expertise in the distribution of electronic components. Based in Hongkong, we have already established firm and mutual-benefit business relationships with customers from,Europe,America and south Asia,supplying obsolete and hard-to-find components to meet their specific needs.

With the principle of “Quality Parts,Customers Priority,Honest Operation,and Considerate Service”,our business mainly focus on the distribution of electronic components. Line cards we deal with include Microchip,ALPS,ROHM,Xilinx,Pulse,ON,Everlight and Freescale. Main products comprise IC,Modules,Potentiometer,IC Socket,Relay,Connector.Our parts cover such applications as commercial,industrial, and automotives areas.

We are looking forward to setting up business relationship with you and hope to provide you with the best service and solution. Let us make a better world for our industry!



Contact us

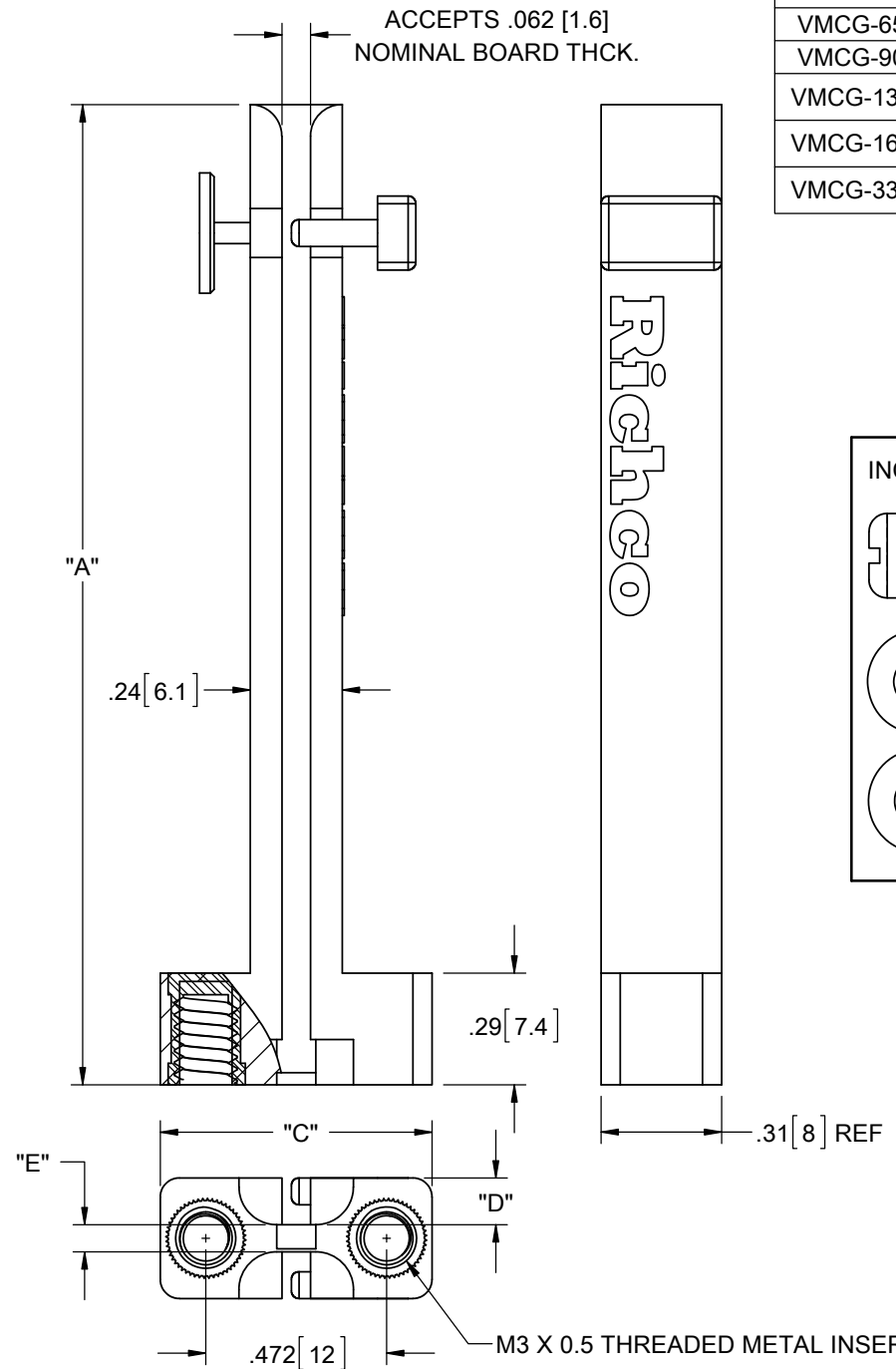
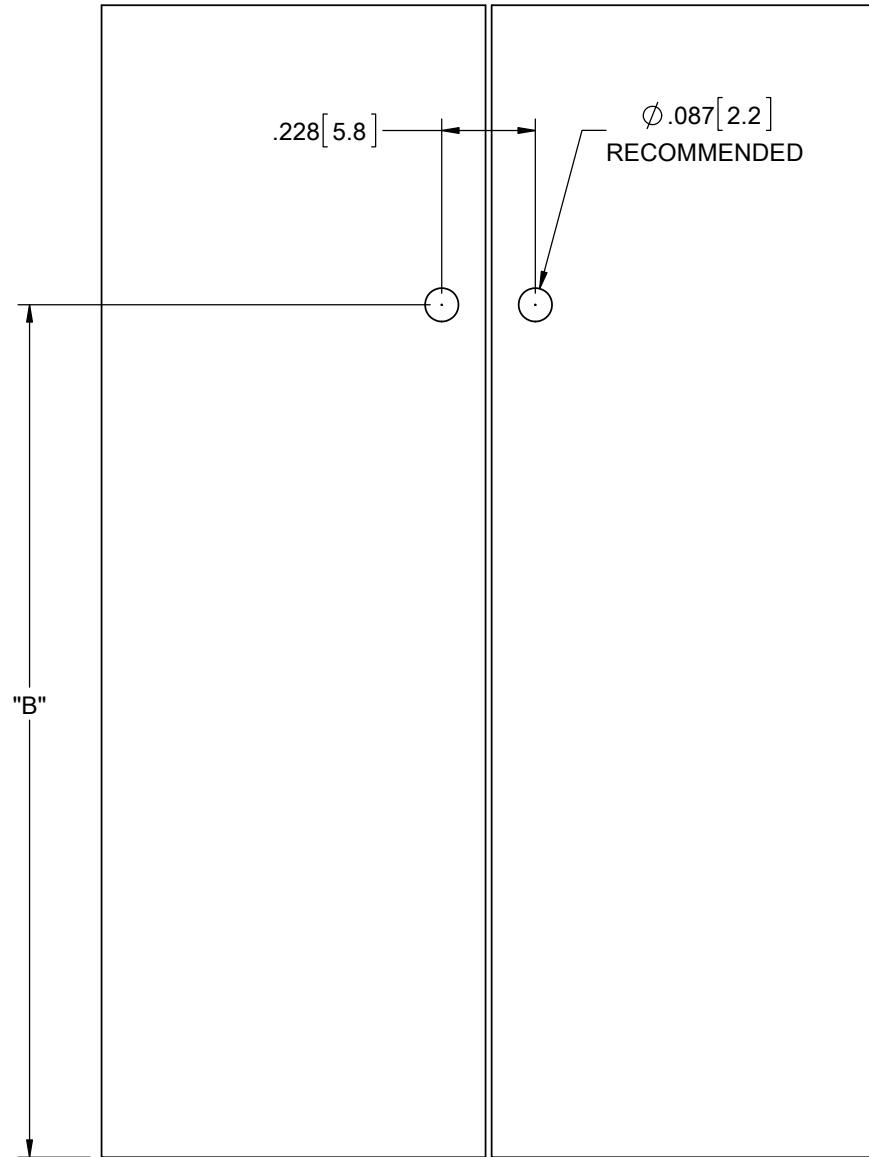
Tel: +86-755-8981 8866 Fax: +86-755-8427 6832

Email & Skype: info@chipsmall.com Web: www.chipsmall.com

Address: A1208, Overseas Decoration Building, #122 Zhenhua RD., Futian, Shenzhen, China

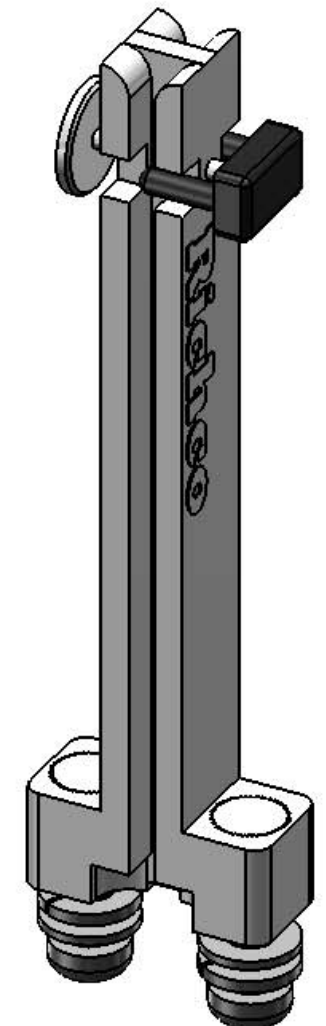


PC BOARD HOLE LOCATION



PART NO.	"A"	"B"	"C"	"D"	"E"
VMCG-50-MPBK-K	1.83 [46.5]	1.67 [42.3]	.71 [18]	.104 [2.6]	.105 [2.7]
VMCG-65-MPBK-K	2.56 [65]	2.22 [56.5]			
VMCG-90-MPBK-K	3.54 [90]	3.21 [81.5]			
VMCG-135-MPBK-K	5.31 [135]	4.98 [126.5]	.75 [19]	.118 [3]	.079 [2]
VMCG-160-MPBK-K	6.30 [160]	4.43 [112.5]	.71 [18]		
VMCG-330-MPBK-K	4.73 [120.1]				

INCLUDED HARDWARE	
	X2
	X2
	X2



- NOTES:
- STANDARD MATERIAL: NYLON 6, GLASS FILLED (RMS-38). COLOR: GRAY.
ALTERNATE MATERIAL: NYLON 6 UL94 V-0 (RMS-371). AVAILABLE BY SPECIAL ORDER.
TO ORDER USE P/N: VMCGXX-MBK-F-K. COLOR: GRAY.
 - COMPONENTS:
 - LOCKING BUTTON: HDPE (RMS-284)
 - SCREW: MILD STEEL, ZINC PLATED (RMS-415)
 - THREADED INSERT: BRASS (RMS-231)
 - WASHER: STAINLESS STEEL (RMS-228)

REV.	DESCRIPTION	ENGR.	DATE
P	PART NUMBER CHANGED, CO 200780	SK	06/07/12
O	REDRAWN, SEE CO 200749	SK	01/18/2012
-	SEE ENGINEERING FOR REV A-N	--	-----

TITLE: VERTICAL MOUNT CARD GUIDE, TYPE 1				UNITS: IN [MM]		FINAL	
CREATED USING SOLIDWORKS	FILE #: VMCG-1	DWN: SK	APP: SK	PART #			
TOLERANCES UNLESS NOTED .XX=±.010 .XXX=±.005 FRAC.=±1/64 ANG.=±1°	SHEET: 1 OF 1	SHEET SIZE: B	DT: 11/11/11	CHKD: DZ	SEE TABLE		PRINT TYPE
RE: RICHCO, INC.		RICHCO, INC. WWW.RICHCO-INC.COM				CA	