



Chipsmall Limited consists of a professional team with an average of over 10 year of expertise in the distribution of electronic components. Based in Hongkong, we have already established firm and mutual-benefit business relationships with customers from,Europe,America and south Asia,supplying obsolete and hard-to-find components to meet their specific needs.

With the principle of “Quality Parts,Customers Priority,Honest Operation,and Considerate Service”,our business mainly focus on the distribution of electronic components. Line cards we deal with include Microchip,ALPS,ROHM,Xilinx,Pulse,ON,Everlight and Freescale. Main products comprise IC,Modules,Potentiometer,IC Socket,Relay,Connector.Our parts cover such applications as commercial,industrial, and automotives areas.

We are looking forward to setting up business relationship with you and hope to provide you with the best service and solution. Let us make a better world for our industry!



Contact us

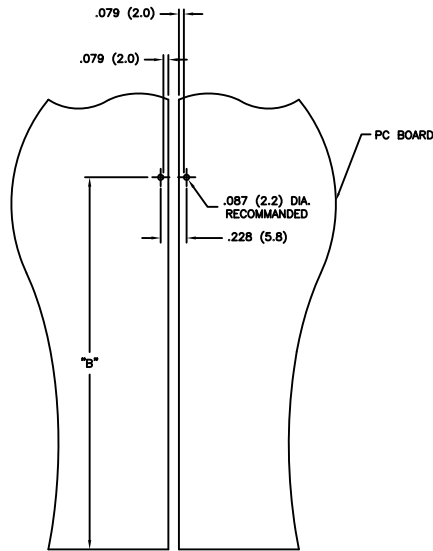
Tel: +86-755-8981 8866 Fax: +86-755-8427 6832

Email & Skype: info@chipsmall.com Web: www.chipsmall.com

Address: A1208, Overseas Decoration Building, #122 Zhenhua RD., Futian, Shenzhen, China



PART NO.	"A"	"B"	METAL INSERT M3 4/40	STD. PACKAGE QUANTITY	FIG. NO.
VMCGN65-M3-L-K	2.56 (65)	2.24 (57)	X	100	1
VMCGN65-440-L			X	100	1
VMCGN105-M3-L-K	4.13 (105)	3.82 (97)	X	100	2+3
VMCGN105-440-L			X	100	2+3
VMCGN120-M3-L-K	4.72 (120)	4.41 (112)	X	100	1
VMCGN120-440-L			X	100	1
VMCGN160-M3-L-K	6.30 (160)	5.98 (152)	X	100	2+3
VMCGN160-440-L			X	100	2+3
VMCGN-EX-40	40	32		100	3



BOARD HOLE
LOCATION

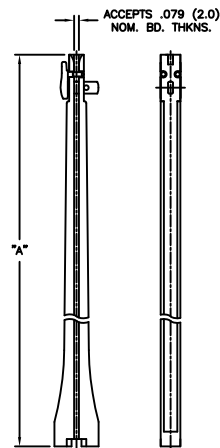


FIG. #1
(BASE)

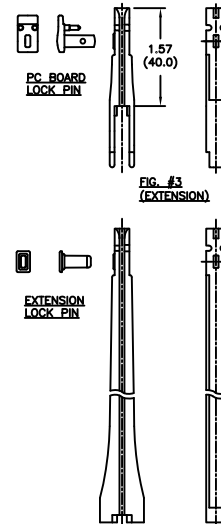
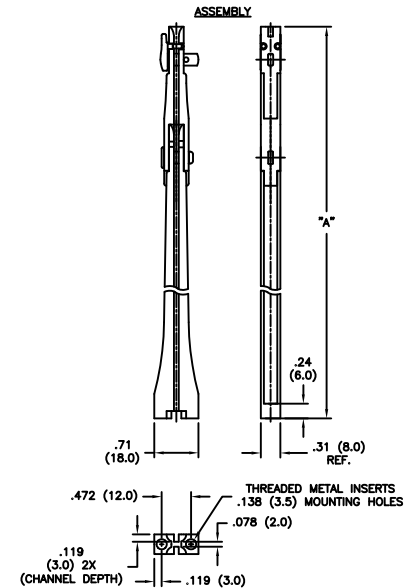


FIG. #2
(BASE)



NOTES:

- CARD GUIDE MATERIAL: FLAME RETARDANT POLYSTYRENE (RMS-117).
- CARD GUIDE COLOR: BLUE.
- LOCKING SYSTEM COLOR: WHITE
- CARD GUIDE WITH M3 INSERTS IS SUPPLIED WITH HARDWARE KIT, SUFFIX "-K", (WASHER, LOCK WASHER & M3X8 SCREW).
- CARD GUIDE WITH 4/40 INSERTS IS NOT SUPPLIED WITH HARDWARE.
- COMPONENTS:
 - LOCKING BUTTON: ACETAL (RMS-39)
 - SCREW: MILD STEEL, ZINC PLATED (RMS-415)
 - THREADED INSERT: BRASS (RMS-231)
 - WASHER: STAINLESS STEEL (RMS-228)

TITLE: VERTICAL MOUNT CARD GUIDE		DWG IN IN (MM)		FINAL	PRINT TYPE CA
F	SEE CO 200780 FOR CHANGES	SK 06.07.12	FILE # VMCGN		
E	SEE CO 200773 FOR CHANGES	SK 04.30.12	MAT'L: SEE NOTES	DT: 03/13/01	DT:
-	SEE ENGINEERING FOR REV A TO D	-----	RE: RICHCO, INC.	RICHCO INC. PO BOX 804238, CHICAGO, 60680 (773) 539-4060	
REV	DESCRIPTION	ENGR DATE	PART # SEE TABLE		

TOLERANCES
UNLESS NOTED
.XX=±.010
.XXX=±.005
FRAC=±1/64
ANG=1°