



Chipsmall Limited consists of a professional team with an average of over 10 year of expertise in the distribution of electronic components. Based in Hongkong, we have already established firm and mutual-benefit business relationships with customers from,Europe,America and south Asia,supplying obsolete and hard-to-find components to meet their specific needs.

With the principle of “Quality Parts,Customers Priority,Honest Operation,and Considerate Service”,our business mainly focus on the distribution of electronic components. Line cards we deal with include Microchip,ALPS,ROHM,Xilinx,Pulse,ON,Everlight and Freescale. Main products comprise IC,Modules,Potentiometer,IC Socket,Relay,Connector.Our parts cover such applications as commercial,industrial, and automotives areas.

We are looking forward to setting up business relationship with you and hope to provide you with the best service and solution. Let us make a better world for our industry!



Contact us

Tel: +86-755-8981 8866 Fax: +86-755-8427 6832

Email & Skype: info@chipsmall.com Web: www.chipsmall.com

Address: A1208, Overseas Decoration Building, #122 Zhenhua RD., Futian, Shenzhen, China



Future Technology Devices International Ltd

Datasheet

VMusic3 Vinculum-II Application Module



VMusic3 is a USB host and MP3/WMA Player application module with an enclosure. The default firmware of the VMusic3 supports audio playback and UART/SPI communications with the embedded USB host controller and USB host port. VMusic3 can be used to read MP3 and other audio format files from a USB flash disk process the data and output the stereo audio through the line-out header and headphone jack.

1 Introduction

VMusic3 is designed to support quick and easy integration of a UART/SPI application with a USB client device. VMusic3 also supports playback of MP3 and WMA. The VMusic3 is packaged in a neat enclosure displaying a bi-colour LED, making it suitable for incorporating into finished product designs.

The VMusic3 utilises FTDI's Vinculum-II (VNC2-48L1B) dual USB host controller IC. This IC is a microcontroller and USB host controller; it can be reprogrammed using the UART interface or the Vinculum-II debugger module interface connector. The default firmware used is V2MSC, this firmware supports the UART/SPI to USB host interface and MP3 playback. This firmware can be modified or replaced with another firmware.

The VMusic3 also utilises VLSI Solution's VS1053b compressed audio codec to provide the audio playback feature. This chip operates with the Vinculum-II and supporting firmware when reading MP3 and WMA files from a USB flash drive. The VS1053b processes this data and outputs the stereo audio to the headphone jack and line-out header. Connecting headphones or speakers to either of these ports transduces the audio data into sound.

For details on the Vinculum-II collateral please click <http://www.ftdichip.com/Products/ICs/VNC2.htm>.

1.1 Features

VMusic3 has the following features:

- MP3 and WMA playback
- Vinculum-II microcontroller/USB host controller IC.
- USB "A" type socket to connect to USB client devices.
- 2mm (0.08") pitch 8 pin header used for the UART/SPI interface.
- Connects directly and communicates with a FTDI TTL-232R-3V3-2mm USB-UART cable.
- Jumper selectable UART and SPI interfaces, both operating 3.3V TTL/CMOS.
- Pre-programmed with V2MSC firmware.
- Vinculum-II debugger module port under the enclosure, for changing the firmware and debugging.
- UART programming mode control pins PROG# and RESET# are connected to an internal header.
- Reprogrammable over USB Port from flash drive.
- The VMusic3 and all components used are Pb-free (RoHS compliant).

Table of Contents

1	Introduction	1
1.1	Features.....	1
2	Ordering Information	3
3	VMusic3 Signals and Configurations	3
3.1	VMusic3 Pin-Out.....	3
3.2	VMusic3 Jumper Configuration.....	3
3.3	Interface Discriptions	4
4	VMusic2 and VMusic3 comparisons.....	4
5	VMusic3 Application Examples.....	5
5.1	UART Interface to PIC Example.....	5
6	VMusic3 Commands Details	6
7	VMusic3 Electrical Details.....	7
7.1	SPI Interface Timing	7
8	VMusic3 Max-Ratings	9
9	VMusic3 Mechanical Details.....	9
10	VMusic3 Circuit Schematic.....	10
11	Contact Information	11
	Appendix A - List of Figures and Tables.....	13
	Appendix B – Revision History	14

2 Ordering Information

Module Code	Utilised IC Code	Description
VMUSIC3	VNC2-48L1B	USB host application module with MP3 playback and enclosure.

3 VMusic3 Signals and Configurations

3.1 VMusic3 Pin-Out

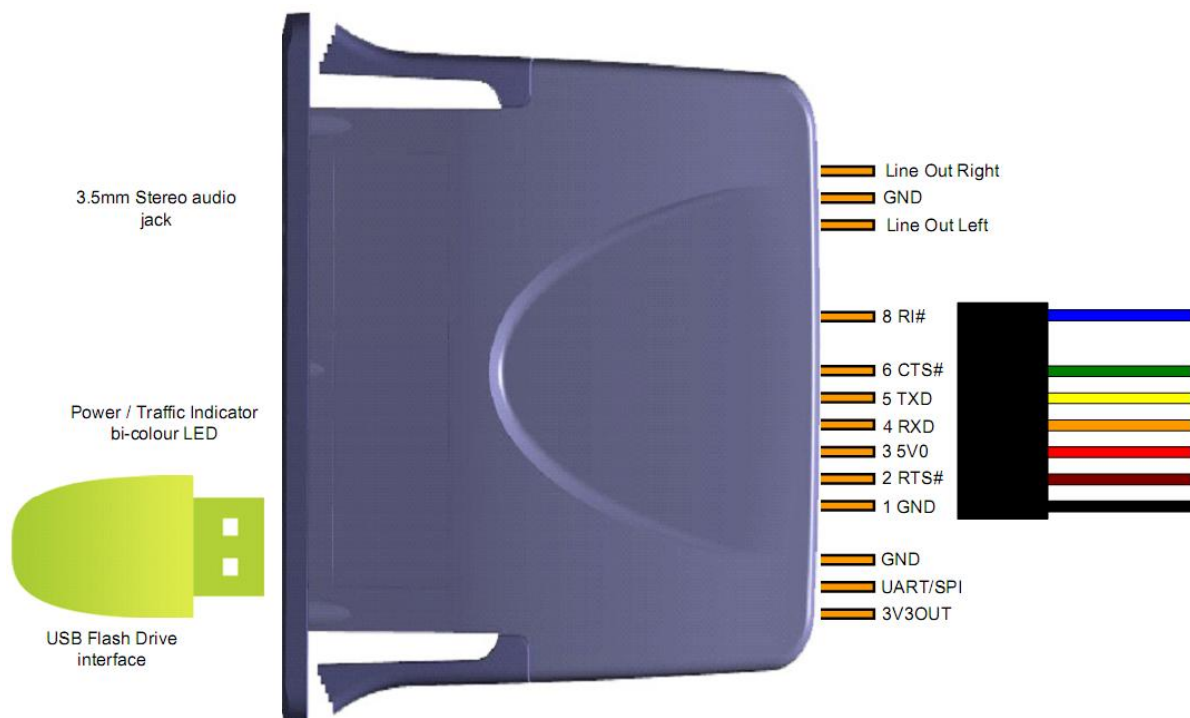


Figure 3.1 – VMusic3 Pin Out (in UART mode)

The pin-out is illustrated in Figure 3.1.

3.2 VMusic3 Jumper Configuration

The VMusic3 comes preloaded with the V2MSC firmware and the jumper is set to UART mode by default. Adjusting the jumpers accordingly configures the module to operate in SPI mode.

The interface modes of the VMusic3 running on a V2MSC firmware are given in Table 3.1

UART/SPI	Interface Mode
Pull-Up	UART
Pull-Down	SPI

Table 3.1 – VMusic3 Jumper Box

3.3 Interface Discriptions

Pin No.	Name	Type	Description
1	GND	PWR	Signal ground
2	RTS#	Output	Request To Send control output – Handshake signal
3	5V0	PWR	5V supply input
4	RXD	Input	Receive asynchronous data input
5	TXD	Output	Transmit asynchronous data output
6	CTS#	Input	Clear To Send control input - Handshake signal
7	NC	-	No Connect
8	RI#/WU	Input	Ring Indicator control input / Wake Up

Table 3.2 – 3.3V TTL/CMOS UART Pin Out

Pin No.	Name	Type	Description
5	CLK	Input	SPI clock input. Maximum frequency: 24MHz.
4	MOSI	Input	SPI slave serial data input
2	MISO	Output	SPI slave serial data output
6	SS#	Input	SPI slave select input

Table 3.3 – 3.3V TTL/CMOS SPI Pin Out

For further details see VNC2 datasheet.

4 VMusic2 and VMusic3 comparisons

The VMusic3 is a drop in replacement for the VMusic2 for the majority of VMusic2 applications. VMusic3 uses firmware called V2MSC which is similar to V2DAP (used in VDRIVE3) with an additional module for controlling MP3 playback. However for a small number of applications that use SPI, differences exists between VMUSIC firmware and V2MSC firmware which would require some changes to be made to the application software. For further details on this discrepancy please see [AN 176 - Vinculum Comparison of VDAP and V2DAP](#).

Additional features of the VMusic3:

- Vinculum-II can be configured by a user defined firmware
- VMusic3 has an SPI master interface available (not enabled in V2MSC firmware).
- VMusic3's SPI interface can be clocked up to 24MHz
- VMusic3 can be programmed using the debugger-module port in addition to programming using the UART interface port.
- VMusic3 can utilise many of the Vinculum-II sample firmware available on the FTDI website.

6 VMusic3 Commands Details

The command set for the VMusic3 is given in Table 6.1.

For more details on Vinculum commands please see:

http://www.ftdichip.com/Firmware/Precompiled/UM_VinculumFirmware_V205.pdf

Extended Command Set	Short Command Set (Hexadecimal Codes)	Function
VPF·file ↵	1D 20 file 0D	Plays a single file
VRF·file ↵	89 20 file 0D	Repeatedly plays a single file
VST ↵	20 0D	Stops playback
V3A ↵	21 0D	Plays all MP3 files
VRA ↵	8A 0D	Repeatedly plays all MP3 files
VRR ↵	8F 0D	Repeatedly plays random MP3 files
VSF ↵	25 0D	Skip forward one track
VSB ↵	26 0D	Skip back one track
VSD ↵	8E 0D	Skip forward on whole directory
VP ↵	8B 0D	Pause playback
VF ↵	8C 0D	Fast forward 5 seconds
VB ↵	8D 0D	Rewind 5 seconds
VRD·byte ↵	1F 20 byte 0D	Reads command register
VWR·byte+word ↵	1E 20 byte word 0D	Writes command register
VSV·byte ↵	88 20 byte 0D	Sets playback volume

Table 6.1 – V2MSC Command Set

7 VMusic3 Electrical Details

7.1 SPI Interface Timing

The following timing diagrams are for the VNC1L Legacy Interface mode of SPI slave.

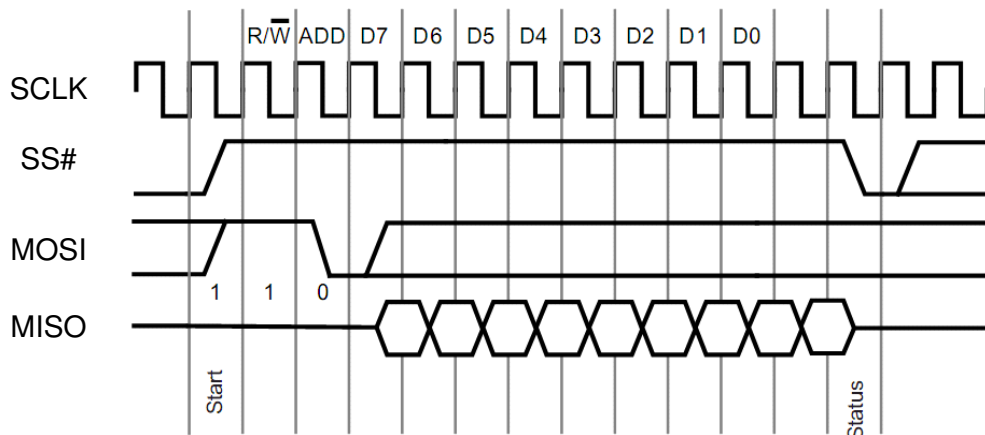


Figure 7.1 – SPI

To start the data transfer process SS# needs to be set high, and remain high for the entire read cycle. Once the read cycle completes SS# needs to be set low for at least one clock cycle to allow another data transfer cycle to occur.

The first bit of MOSI is the R/W bit, receiving a logic high for this bit allows data to be read from the VMusic3. The second bit is the address bit, ADD, this bit is used to select reading data from the data register when set to logic high, or from the status register when set to logic low. During an SPI Read cycle a package of data is transmitted from the VMusic3 on the MISO line from the time of the first clock cycle after the SPI ADD bit, with the MSB transmitted first.

After the data has been transferred the status of MISO can be checked to determine if the data read is new data that has not been read before, which is indicated by a transmitted logic low. Otherwise if old data is being transmitted, which is indicated by a transmitted logic high, the read cycle needs to be repeated to get new data.

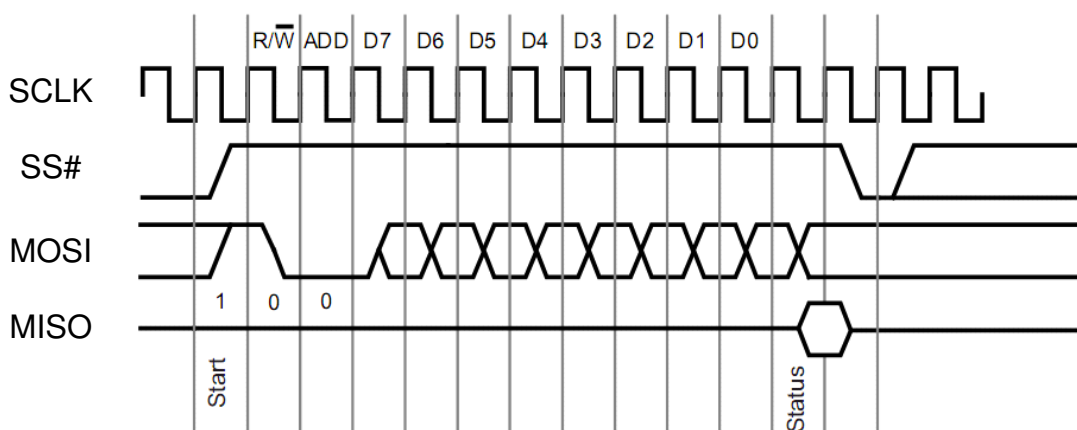


Figure 7.2 – VMusic3 SPI Waveforms

To start the data transfer process SPI SS# needs to be set high, and remain high for the entire write cycle. Once the write cycle SPI completes SS# needs to be set low for at least one clock cycle to allow another data transfer cycle to occur. The first bit of MOSI is the R/W bit, receiving a logic low for this bit allows data to be written to the VMusic3.

The second bit is the address bit, ADD, this bit is used to select a data write to the data register when set to logic high, and to the status register when set to logic low. During an SPI Write cycle a package of data is transmitted to the VMusic3 on the MOSI line from the first clock cycle after the SPI ADD bit, with the MSB transmitted first.

After the data has been transferred the status of MISO can be checked to determine if the data written has been accepted. If a logic low is given for the status bit, it can be determined from this that the data write was successful. If logic high is given for the status bit, the internal buffer of the device receiving data is full, and the same write cycle should be repeated.

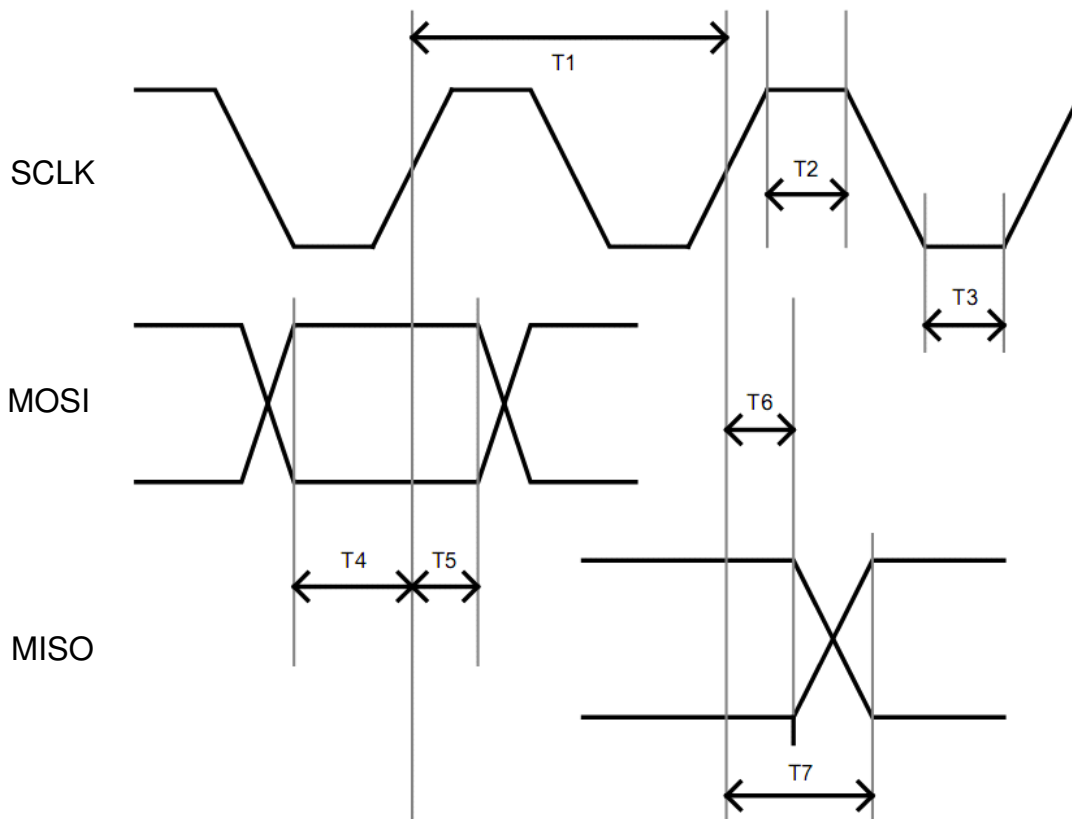


Figure 7.3 – VMusic3 SPI Timing

Time	Description	Min	Typical	Max	Unit
T1	SCLK Period	83	-	-	ns
T2	SCLK High	20	-	-	ns
T3	SCLK Low	20	-	-	ns
T4	Input Setup Time	10	-	-	ns
T5	Input Setup Time	10	-	-	ns
T6	Input Hold Time	2	-	-	ns
T7	Output Valid Time	-	-	20	ns

Table 7.1 – SPI Timing Table

8 VMusic3 Max-Ratings

The absolute maximum ratings for the VDrive3 devices are as follows. These are in accordance with the Absolute Maximum Rating System (IEC 60134). Exceeding these may cause permanent damage to the device.

Parameter	Value	Unit	Conditions
Storage Temperature	-40°C to 85°C	Degrees C	
Ambient Operating Temperature (Power Applied)	-30°C to 85°C	Degrees C	
VCC Supply Voltage	-0.3 to +5.5	V	
DC Input Voltage – USBDP and USBDM	-0.5 to +3.63	V	

Table 8.1 – Absolute Maximum Ratings

9 VMusic3 Mechanical Details

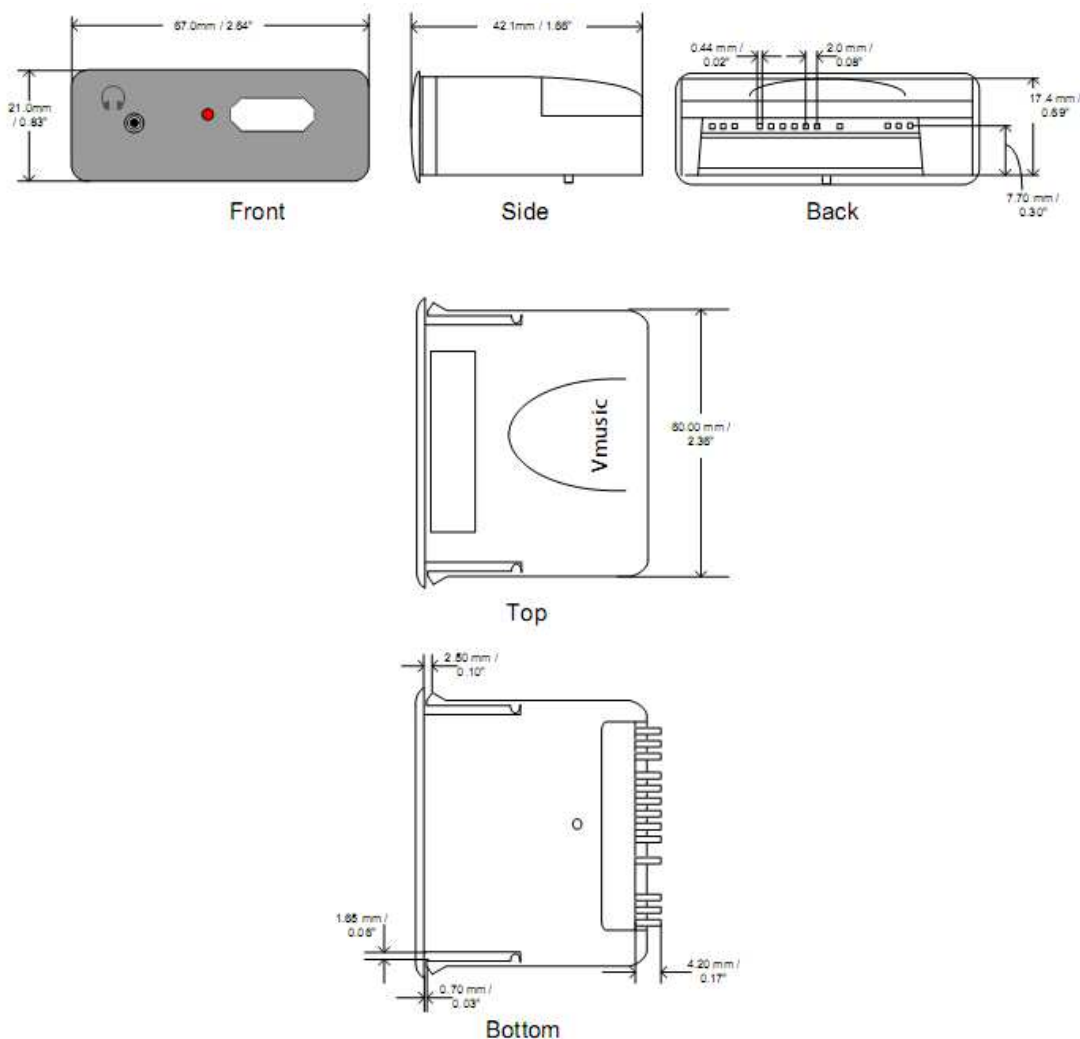


Figure 9.1 – VMusic3 Dimensions

10 VMusic3 Circuit Schematic

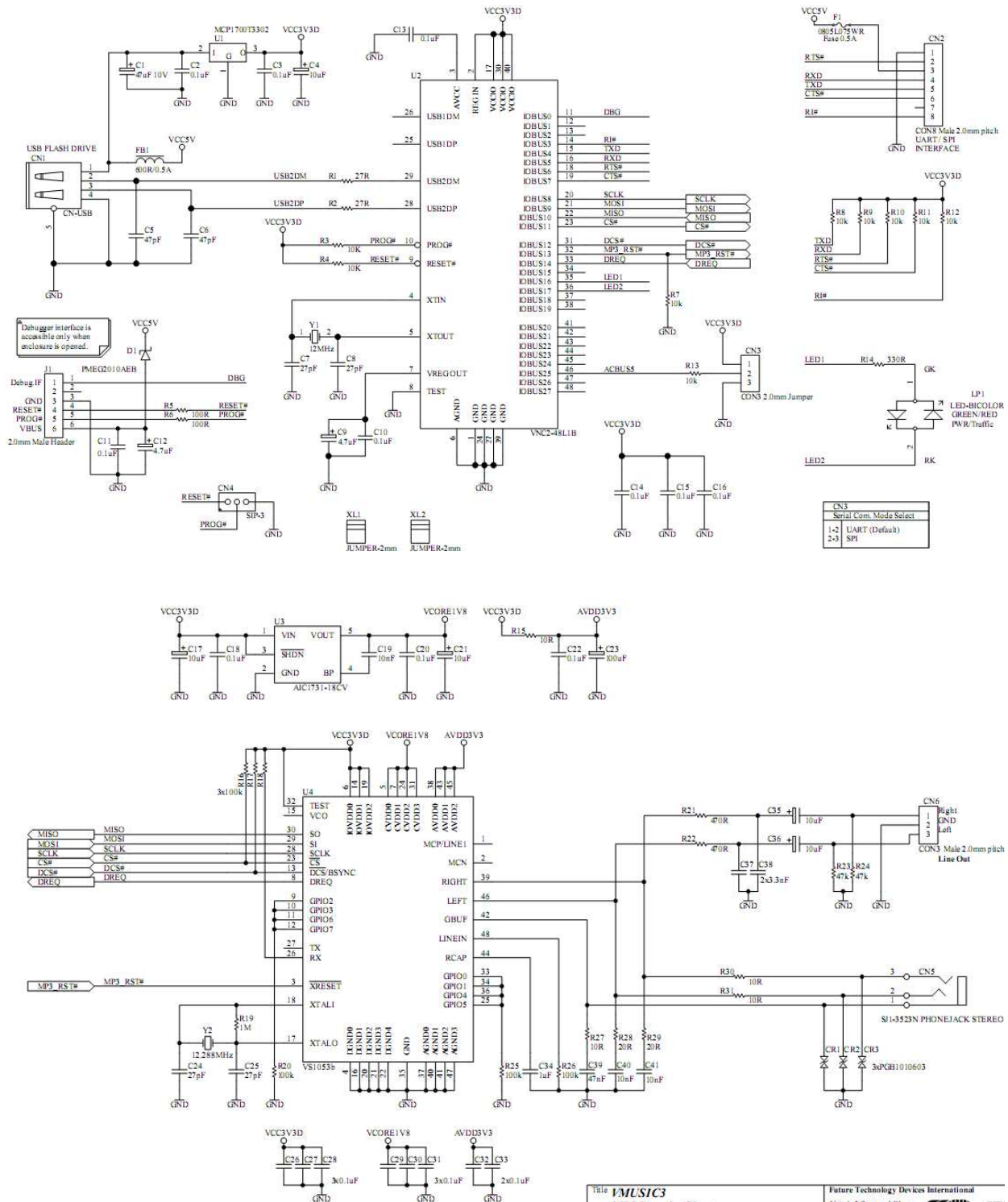


Figure 10.1 – Module Circuit Schematic

11 Contact Information

Head Office – Glasgow, UK

Future Technology Devices International Limited
Unit 1, 2 Seaward Place, Centurion Business Park
Glasgow G41 1HH
United Kingdom
Tel: +44 (0) 141 429 2777
Fax: +44 (0) 141 429 2758

E-mail (Sales) sales1@ftdichip.com
E-mail (Support) support1@ftdichip.com
E-mail (General Enquiries) admin1@ftdichip.com

Branch Office – Hillsboro, Oregon, USA

Future Technology Devices International Limited (USA)
7130 SW Fir Loop
Tigard, OR 97223-8160
USA
Tel: +1 (503) 547 0988
Fax: +1 (503) 547 0987

E-Mail (Sales) us.sales@ftdichip.com
E-Mail (Support) us.support@ftdichip.com
E-Mail (General Enquiries) us.admin@ftdichip.com

Branch Office – Taipei, Taiwan

Future Technology Devices International Limited (Taiwan)
2F, No. 516, Sec. 1, NeiHu Road
Taipei 114
Taiwan, R.O.C.
Tel: +886 (0) 2 8797 1330
Fax: +886 (0) 2 8751 9737

E-mail (Sales) tw.sales1@ftdichip.com
E-mail (Support) tw.support1@ftdichip.com
E-mail (General Enquiries) tw.admin1@ftdichip.com

Branch Office – Shanghai, China

Future Technology Devices International Limited (China)
Room 408, 317 Xianxia Road,
Shanghai, 200051
China
Tel: +86 21 62351596
Fax: +86 21 62351595

E-mail (Sales) cn.sales@ftdichip.com
E-mail (Support) cn.support@ftdichip.com
E-mail (General Enquiries) cn.admin@ftdichip.com

Web Site

<http://ftdichip.com>

Distributor and Sales Representatives

Please visit the Sales Network page of the [FTDI Web site](#) for the contact details of our distributor(s) and sales representative(s) in your country.

System and equipment manufacturers and designers are responsible to ensure that their systems, and any Future Technology Devices International Ltd (FTDI) devices incorporated in their systems, meet all applicable safety, regulatory and system-level performance requirements. All application-related information in this document (including application descriptions, suggested FTDI devices and other materials) is provided for reference only. While FTDI has taken care to assure it is accurate, this information is subject to customer confirmation, and FTDI disclaims all liability for system designs and for any applications assistance provided by FTDI. Use of FTDI devices in life support and/or safety applications is entirely at the user's risk, and the user agrees to defend, indemnify and hold harmless FTDI from any and all damages, claims, suits or expense resulting from such use. This document is subject to change without notice. No freedom to use patents or other intellectual property rights is implied by the publication of this document. Neither the whole nor any part of the information contained in, or the product described in this document, may be adapted or reproduced in any material or electronic form without the prior written consent of the copyright holder. Future Technology Devices International Ltd, Unit 1, 2 Seaward Place, Centurion Business Park, Glasgow G41 1HH, United Kingdom. Scotland Registered Company Number: SC136640

Appendix A - List of Figures and Tables

List of Figures

Figure 3.1 – VMusic3 Pin Out (in UART mode)	3
Figure 7.2 – VMusic3 SPI Waveforms	7
Figure 7.3 – VMusic3 SPI Timing	8
Figure 9.1 – VMusic3 Dimensions	9
Figure 10.1 – Module Circuit Schematic	10

List of Tables

Table 3.1 – VMusic3 Jumper Box	3
Table 7.1 – SPI Timing Table	8
Table 8.1 – Absolute Maximum Ratings	9

Appendix B – Revision History

Document Title: VMusic3
Document Reference No.: FT_000738
Clearance No.: FTDI# 336
Product Page: <http://www.ftdichip.com/Products/ICs/VNC2.htm>
Document Feedback: [Send Feedback](#)

Version 1.0 First release 10/04/12