



Chipsmall Limited consists of a professional team with an average of over 10 year of expertise in the distribution of electronic components. Based in Hongkong, we have already established firm and mutual-benefit business relationships with customers from,Europe,America and south Asia,supplying obsolete and hard-to-find components to meet their specific needs.

With the principle of “Quality Parts,Customers Priority,Honest Operation,and Considerate Service”,our business mainly focus on the distribution of electronic components. Line cards we deal with include Microchip,ALPS,ROHM,Xilinx,Pulse,ON,Everlight and Freescale. Main products comprise IC,Modules,Potentiometer,IC Socket,Relay,Connector.Our parts cover such applications as commercial,industrial, and automotives areas.

We are looking forward to setting up business relationship with you and hope to provide you with the best service and solution. Let us make a better world for our industry!



Contact us

Tel: +86-755-8981 8866 Fax: +86-755-8427 6832

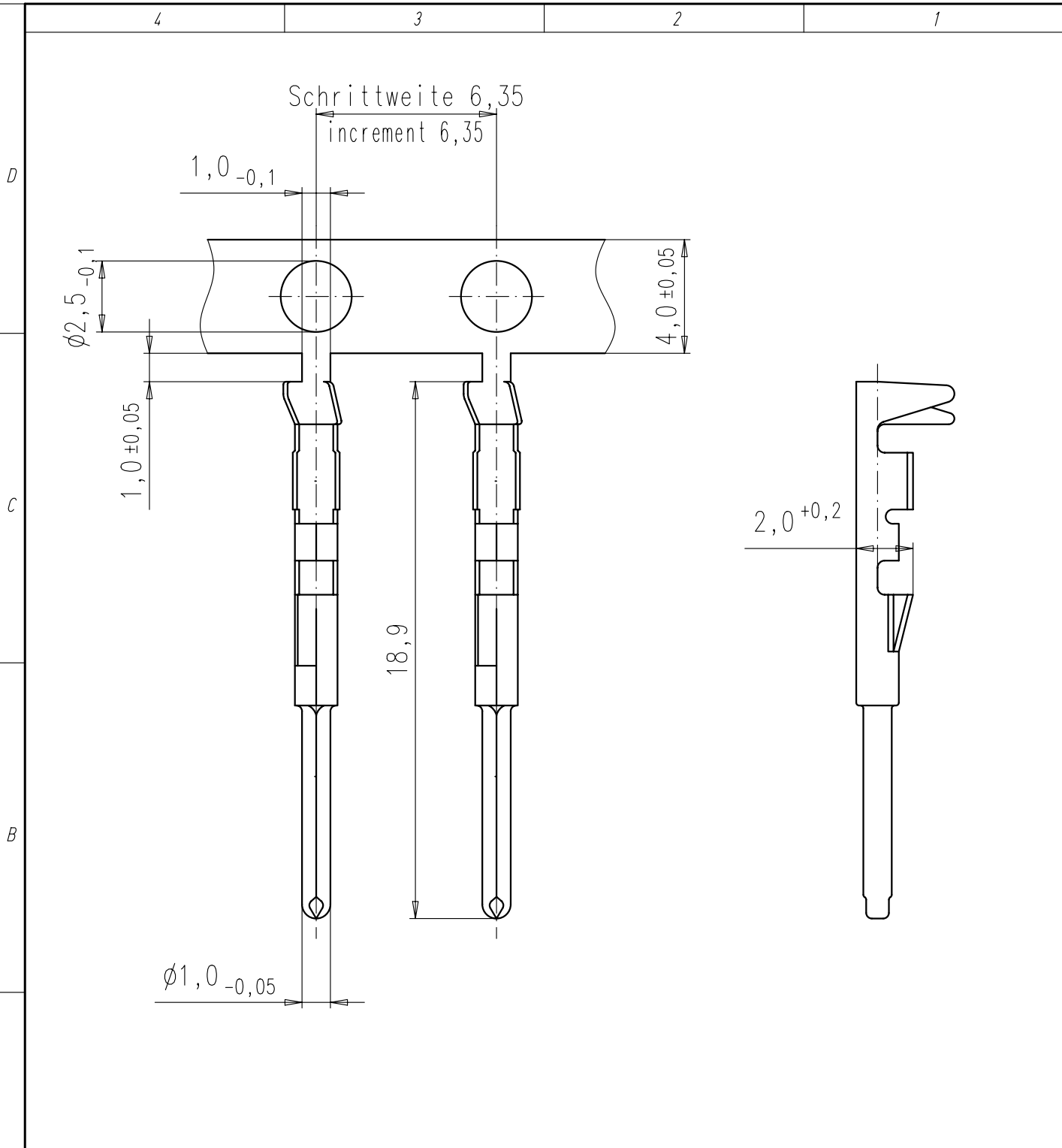
Email & Skype: info@chipsmall.com Web: www.chipsmall.com

Address: A1208, Overseas Decoration Building, #122 Zhenhua RD., Futian, Shenzhen, China



Copying of this document and giving it to others and the use
 or communication of the contents thereof, are forbidden with-
 out express authority. Offenders are liable to the payment of
 damages. All rights are reserved in the event of the grant of
 a patent or the registration of the utility model or design.

Weitergabe sowie Vervielfältigung dieser Unterlage, Verwertung
 und Mitteilung ihres Inhalts nicht gestattet, soweit nicht
 ausdrücklich zugestanden. Zuwiderhandlungen verpflichten
 zu Schadensersatz. Alle Rechte für den Fall der Patenterteilung
 oder Gebrauchsmuster-Eintragung vorbehalten.



Typ Nr. Typ No.	Ag	Au	Anschlußquerschnitt abutting cross-section	Lieferform delivery form
HN01 010 0158	1	2	U 0,09-0,25mm ²	Band 2000 St. Rechtseinlauf / infeed right
TN01 010 0158	1	2	U 0,09-0,25mm ²	Band 2000 St. Linkseinlauf / infeed left
VN01 010 0158	1	2	U 0,09-0,25mm ²	Einzelkontakt / single contact 100 St.

Masse (errechnet)/Calc WT: 9		Zul. Abw./Tolerances:		Maßstab/Scale 5:1		A4			
Prüfmaß/Testdimension						CUSTOMER DRAWING			
Teileindex Part index number				13 Datum/Date					
				Gez. 21.05.		Mohrlang		pin contact	
				Gepr.		i.f.f.		0,25mm ²	
				Checked					
				Amphenol-Tuchel		M		N 01 010 0158 X U	
01 201300362 27.05.13 IM				Electronics GmbH				Blatt/Sheet 1 1 Bl.	
Index Änderung/Description Datum/Date Name						Ers. f./Replacement for:			