



Chipsmall Limited consists of a professional team with an average of over 10 year of expertise in the distribution of electronic components. Based in Hongkong, we have already established firm and mutual-benefit business relationships with customers from,Europe,America and south Asia,supplying obsolete and hard-to-find components to meet their specific needs.

With the principle of “Quality Parts,Customers Priority,Honest Operation,and Considerate Service”,our business mainly focus on the distribution of electronic components. Line cards we deal with include Microchip,ALPS,ROHM,Xilinx,Pulse,ON,Everlight and Freescale. Main products comprise IC,Modules,Potentiometer,IC Socket,Relay,Connector.Our parts cover such applications as commercial,industrial, and automotives areas.

We are looking forward to setting up business relationship with you and hope to provide you with the best service and solution. Let us make a better world for our industry!



Contact us

Tel: +86-755-8981 8866 Fax: +86-755-8427 6832

Email & Skype: info@chipsmall.com Web: www.chipsmall.com

Address: A1208, Overseas Decoration Building, #122 Zhenhua RD., Futian, Shenzhen, China



Turned contacts turned crimp male contact for wire 16mm²

Part No. VN01 036 0021 1C



Series Contacts

Subseries Contact Turned contacts

15.11.2012

| COMMON CHARACTERISTICS | | |
|----------------------------|--|----------------------|
| Wire gauge from | | 16 |
| Wire gauge (AWG) from | | 6 |
| Packaging / supplied as | | Single contact |
| No. of pieces | | 100 |
| Sex of Contact | | Pin |
| Type of contact | | Turned crimp contact |
| ELECTRICAL CHARACTERISTICS | | |
| Contact resistance | DIN EN 60512-2-1, Test 2a / IEC 60512-2-1, Test 2a | 0 m |

Turned contacts turned crimp male contact for wire 16mm²

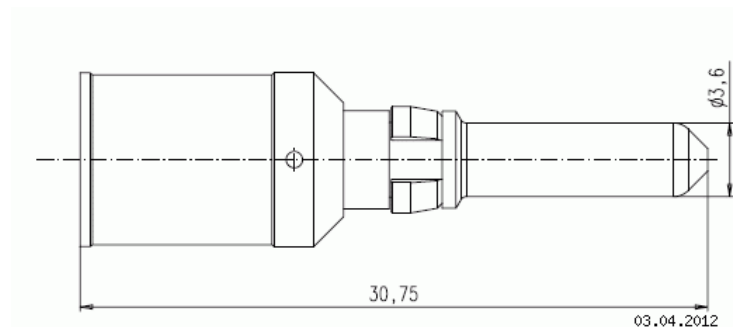
Part No. VN01 036 0021 1C

Series Contacts

Subseries Contact Turned contacts



15.11.2012



Drawing Dimensions in mm (Inch)