



Chipsmall Limited consists of a professional team with an average of over 10 year of expertise in the distribution of electronic components. Based in Hongkong, we have already established firm and mutual-benefit business relationships with customers from,Europe,America and south Asia,supplying obsolete and hard-to-find components to meet their specific needs.

With the principle of “Quality Parts,Customers Priority,Honest Operation,and Considerate Service”,our business mainly focus on the distribution of electronic components. Line cards we deal with include Microchip,ALPS,ROHM,Xilinx,Pulse,ON,Everlight and Freescale. Main products comprise IC,Modules,Potentiometer,IC Socket,Relay,Connector.Our parts cover such applications as commercial,industrial, and automotives areas.

We are looking forward to setting up business relationship with you and hope to provide you with the best service and solution. Let us make a better world for our industry!



Contact us

Tel: +86-755-8981 8866 Fax: +86-755-8427 6832

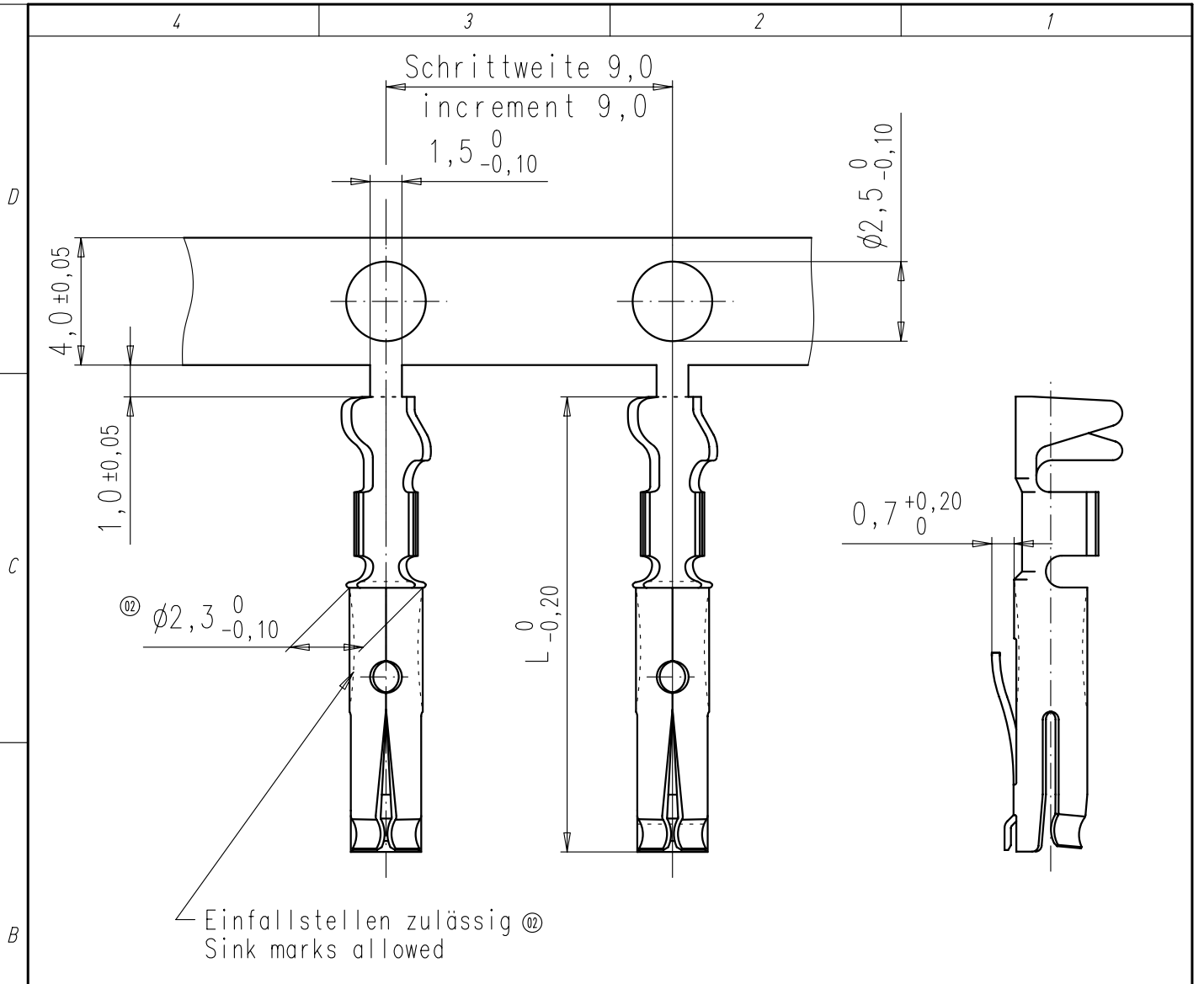
Email & Skype: info@chipsmall.com Web: www.chipsmall.com

Address: A1208, Overseas Decoration Building, #122 Zhenhua RD., Futian, Shenzhen, China



Copying of this document and giving it to others and the use or communication of the contents thereof, are forbidden without express authority. Offenders are liable to the payment of damages. All rights are reserved in the event of the grant of a patent or the registration of the utility model or design.

Weitergabe sowie Vervielfältigung dieser Unterlage, Verwertung und Mitteilung ihres Inhalts nicht gestattet, soweit nicht ausdrücklich zugestanden. Zuwiderhandlungen verpflichten zu Schadenersatz. Alle Rechte für den Fall der Patenterteilung oder Gebrauchsmuster-Eintragung vorbehalten.



Typ Nr. Typ No.	Ag	Au	Anschlußquerschnitt abutting cross-section	L	Lieferform delivery form
HN 02 015 0046	(1)	(2)	0,35-0,50mm ²	14,3	Band 2000 St. Rechtseinlauf / infeed right
TN 02 015 0046	(1)	(2)	0,35-0,50mm ²	14,3	Band 2000 St. Linkseinlauf / infeed left
ZN 02 015 0046	(1)	(2)	0,35-0,50mm ²	14,3	Band 200 St.
VN 02 015 0046	(1)	(2)	0,35-0,50mm ²	14,3	Einzelkontakt / single contact 100 St.
HN 02 015 0047	(1)	(2)	0,75-1,0mm ²	15,3	Band 2000 St. Rechtseinlauf / infeed right
TN 02 015 0047	(1)	(2)	0,75-1,0mm ²	15,3	Band 2000 St. Linkseinlauf / infeed left
ZN 02 015 0047	(1)	(2)	0,75-1,0mm ²	15,3	Band 200 St.
VN 02 015 0047	(1)	(2)	0,75-1,0mm ²	15,3	Einzelkontakt / single contact 100 St.
HN 02 015 0052	(1)	(2)	0,09-0,25mm ²	14,3	Band 2000 St. Rechtseinlauf / infeed right
TN 02 015 0052	(1)	(2)	0,09-0,25mm ²	14,3	Band 2000 St. Linkseinlauf / infeed left
ZN 02 015 0052	(1)	(2)	0,09-0,25mm ²	14,3	Band 200 St.
VN 02 015 0052	(1)	(2)	0,09-0,25mm ²	14,3	Einzelkontakt / single contact 100 St.

Gewicht (errechnet)/ Calc WT: 9		Zul. Abw./Tolerances:		Maßstab/Scale 5:1		A4				
Prüfmaß/Testdimension						CUSTOMER DRAWING				
Teileindex Part index number										
		06 Datum/Date		Name		Kontaktfeder female contact				
		Gez. 06.09.		Cionvico						
		Drawn								
		Gepr. Checked								
02 201000052		21.01.10		CI		Amphenol-Tuchel		M N 02 015 00XX X		Blatt/Sheet 1
01 200600698		06.09.06		CI		Electronics GmbH				1 Bl.
Index Änderung/Description		Datum/Date		Name		Ers. f./Similar to: M-N 02 015 004X (X) Index 02				