



Chipsmall Limited consists of a professional team with an average of over 10 year of expertise in the distribution of electronic components. Based in Hongkong, we have already established firm and mutual-benefit business relationships with customers from,Europe,America and south Asia,supplying obsolete and hard-to-find components to meet their specific needs.

With the principle of “Quality Parts,Customers Priority,Honest Operation,and Considerate Service”,our business mainly focus on the distribution of electronic components. Line cards we deal with include Microchip,ALPS,ROHM,Xilinx,Pulse,ON,Everlight and Freescale. Main products comprise IC,Modules,Potentiometer,IC Socket,Relay,Connector.Our parts cover such applications as commercial,industrial, and automotives areas.

We are looking forward to setting up business relationship with you and hope to provide you with the best service and solution. Let us make a better world for our industry!



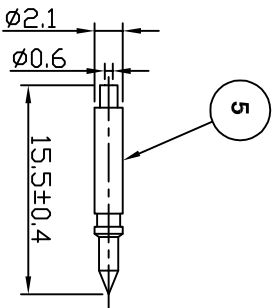
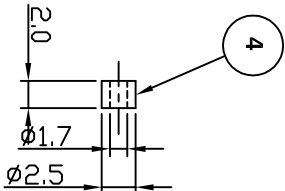
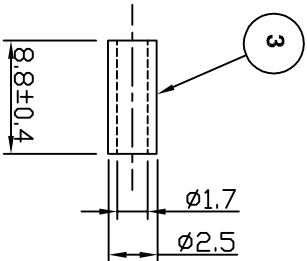
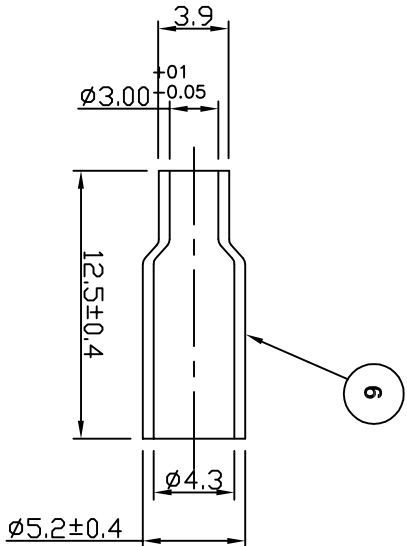
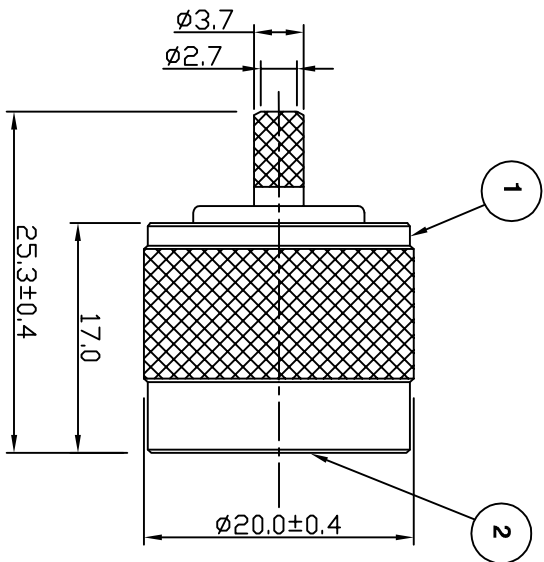
Contact us

Tel: +86-755-8981 8866 Fax: +86-755-8427 6832

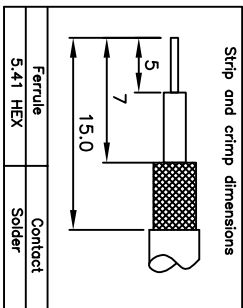
Email & Skype: info@chipsmall.com Web: www.chipsmall.com

Address: A1208, Overseas Decoration Building, #122 Zhenhua RD., Futian, Shenzhen, China





For stripping and assembly instructions see Drawing Number: VAIN1104



First Issue	MS	1	16 Jan 13
DESCRIPTION OF REVISION	APPVD	ISS	DATE

PART	DESCRIPTION
1	Body Brass, nickel plated
2	Sleeve PTFE
3	Sleeve Brass, nickel plated
4	Contact Teflon
5	Contact Brass, gold plated
6	Ferrule Brass, nickel plated

Electrical Characteristics
 Nominal Impedance: 50 ohms
 Frequency Range: DC to 11 GHz
 VSWR: 1.35:1 maximum
 Insertion Loss: 0.17dB max
 Operating Voltage (rms): 1500 V maximum at sea level
 Dielectric Withstand Voltage (rms): 2500 V maximum at sea level
 Contact Resistance: 1.0 milliohms maximum
 Insulation Resistance: 5000 megohms minimum

Mechanical Characteristics
 Mating Cycles: 500 cycles minimum
 Interface Dimensions: Conform to MIL-C-39012

Environmental Characteristics
 Temperature Range: -65 °C to +165 °C



EMERSON
Network Power

Connectivity Solutions
 11 Bilton Road,
 Chelmsford, Essex,
 CM1 2UP, UK.
 Tel: +44 (0) 1245 359515
 Fax: +44 (0) 1245 358938

SCALE: Not To Scale
 DIMENSIONS: mm
 TOLERANCES:
 ± 0.2mm unless
 otherwise stated

DRAWN BY: M Spooner
 CHECKED BY: J Cracknell
 APPROVED BY: M Spooner
 DATE: 16 Jan 13

TITLE:
**N Crimp Plug for RG174/U,
 188A/U, 316/U & LMR-100**

PART NUMBER:
VN10-2052

PAGE: 1 of 1