



Chipsmall Limited consists of a professional team with an average of over 10 year of expertise in the distribution of electronic components. Based in Hongkong, we have already established firm and mutual-benefit business relationships with customers from,Europe,America and south Asia,supplying obsolete and hard-to-find components to meet their specific needs.

With the principle of “Quality Parts,Customers Priority,Honest Operation,and Considerate Service”,our business mainly focus on the distribution of electronic components. Line cards we deal with include Microchip,ALPS,ROHM,Xilinx,Pulse,ON,Everlight and Freescale. Main products comprise IC,Modules,Potentiometer,IC Socket,Relay,Connector.Our parts cover such applications as commercial,industrial, and automotives areas.

We are looking forward to setting up business relationship with you and hope to provide you with the best service and solution. Let us make a better world for our industry!



## Contact us

Tel: +86-755-8981 8866 Fax: +86-755-8427 6832

Email & Skype: info@chipsmall.com Web: www.chipsmall.com

Address: A1208, Overseas Decoration Building, #122 Zhenhua RD., Futian, Shenzhen, China



## Automotive integrated H-bridge

Datasheet - production data



### Description

The device is an automotive integrated H-bridge intended for a wide range of automotive applications driving DC motors. The device incorporates a dual channel and two single channel MOSFETs. The device is designed using STMicroelectronics® well known and proven proprietary VIPower® M0-S9 technology that allows to integrate in a package four different channels in H-bridge topology.

This package, specifically designed for the harsh automotive environment offers improved thermal performance thanks to exposed die pads. Moreover, its fully symmetrical mechanical design allows superior manufacturability at board level.

### Features

Type	$R_{DS(on)}$	$I_{out}$	$V_{CCmax}$
VNH9013Y	13 mΩ typ (per leg)	40 <sup>(1)</sup>	80 V <sup>(2)</sup>

1. Max current to be set according to the wires capability
2. Per leg: sum of the two  $BV_{dss}$  (HSD + LSD);  $V_{CC} > 40$  V whole bridge must be switched off;

- AEC-Q100 qualified
- Maximum  $V_{CC}$  voltage: 80 V
- 10 V compatible inputs
- $R_{DS(on)}$  per leg: 13 mΩ typical
- Embedded thermal sensor: -8.1 mV/°K
- Very low stray inductance in power line



Table 1. Device summary

Package	Order codes	
	Tube	Tape and reel
PowerSSO-36 TP	VNH9013Y	VNH9013YTR

# Contents

- 1      Block diagram and pin description ..... 5**
  
- 2      Electrical specifications ..... 7**
  - 2.1    Absolute maximum rating ..... 7
  - 2.2    Electrical characteristics ..... 8
  
- 3      Package and PCB thermal data ..... 12**
  - 3.1    PowerSSO-36 thermal data ..... 12
    - 3.1.1    Thermal calculation in clockwise and anti-clockwise operation in steady-state mode ..... 13
    - 3.1.2    Thermal resistance definitions (values according to the PCB heatsink area) ..... 14
    - 3.1.3    Thermal calculation in transient mode ..... 14
    - 3.1.4    Single pulse thermal impedance definitions (values according to the PCB heatsink area) ..... 14
  
- 4      Package information ..... 18**
  - 4.1    PowerSSO-36 TP package information ..... 18
  - 4.2    PowerSSO-36 TP packing information ..... 20
  - 4.3    PowerSSO-36 marking information ..... 21
  
- 5      Revision history ..... 22**

# List of tables

Table 1.	Device summary . . . . .	1
Table 2.	Pin definitions and functions . . . . .	6
Table 3.	Absolute maximum rating . . . . .	7
Table 4.	Power off. . . . .	8
Table 5.	Power on. . . . .	8
Table 6.	Dynamic . . . . .	8
Table 7.	Gate resistance. . . . .	9
Table 8.	Source drain diode . . . . .	9
Table 9.	Switching on HSD. . . . .	9
Table 10.	Switching on LSD . . . . .	9
Table 11.	Switching off HSD. . . . .	10
Table 12.	Switching off LSD . . . . .	10
Table 13.	Thermal sensor . . . . .	10
Table 14.	Thermal calculation in clockwise and anti-clockwise operation in steady-state mode . . . .	13
Table 15.	Thermal parameters . . . . .	16
Table 16.	PowerSSO-36 TP mechanical data . . . . .	19
Table 17.	Document revision history . . . . .	22

## List of figures

Figure 1.	Block diagram . . . . .	5
Figure 2.	Configuration diagram . . . . .	5
Figure 3.	Single pulse maximum current . . . . .	7
Figure 4.	Gate charge test circuit . . . . .	10
Figure 5.	Test circuit for inductive load switching and diode recovery times . . . . .	11
Figure 6.	Switching times test circuit for resistive load . . . . .	11
Figure 7.	PowerSSO-36™ PC board . . . . .	12
Figure 8.	Chipset configuration . . . . .	13
Figure 9.	Auto and mutual $R_{thj-amb}$ vs PCB copper area in open box free air condition . . . . .	13
Figure 10.	PowerSSO-36 HSD thermal impedance junction ambient single pulse . . . . .	15
Figure 11.	PowerSSO-36 LSD thermal impedance junction ambient single pulse . . . . .	15
Figure 12.	Thermal fitting model of an H-bridge in PowerSSO-36 . . . . .	16
Figure 13.	PowerSSO-36 TP package outline . . . . .	18
Figure 14.	PowerSSO-36 TP tube shipment (no suffix) . . . . .	20
Figure 15.	PowerSSO-36 TP tape and reel shipment (suffix “TR”) . . . . .	20
Figure 16.	PowerSSO-36 marking information . . . . .	21



# 1 Block diagram and pin description

Figure 1. Block diagram

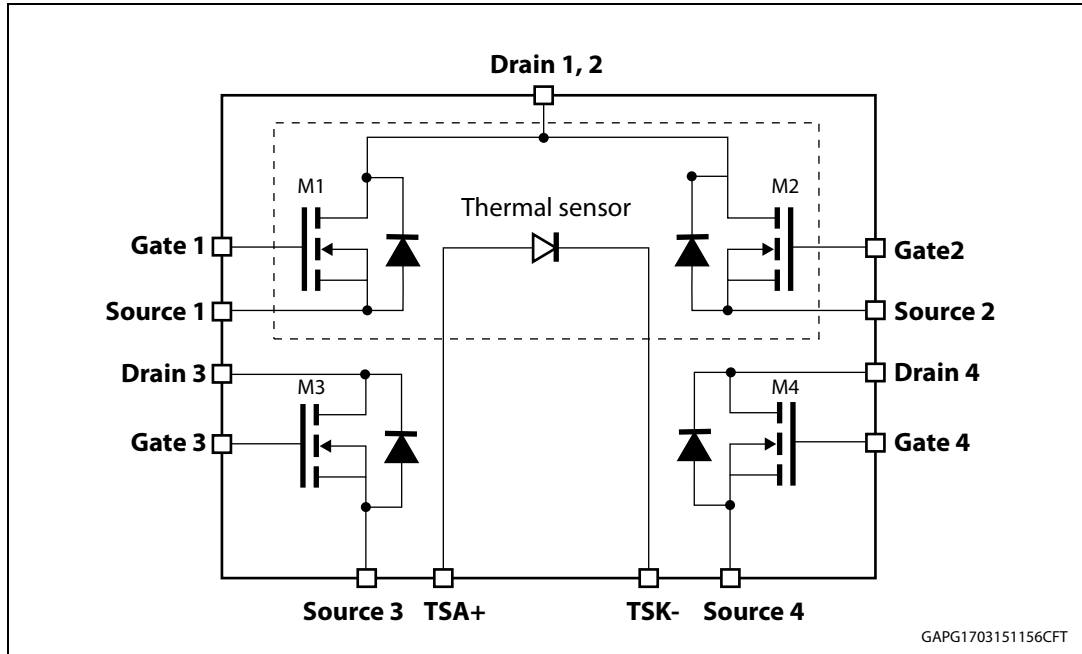


Figure 2. Configuration diagram

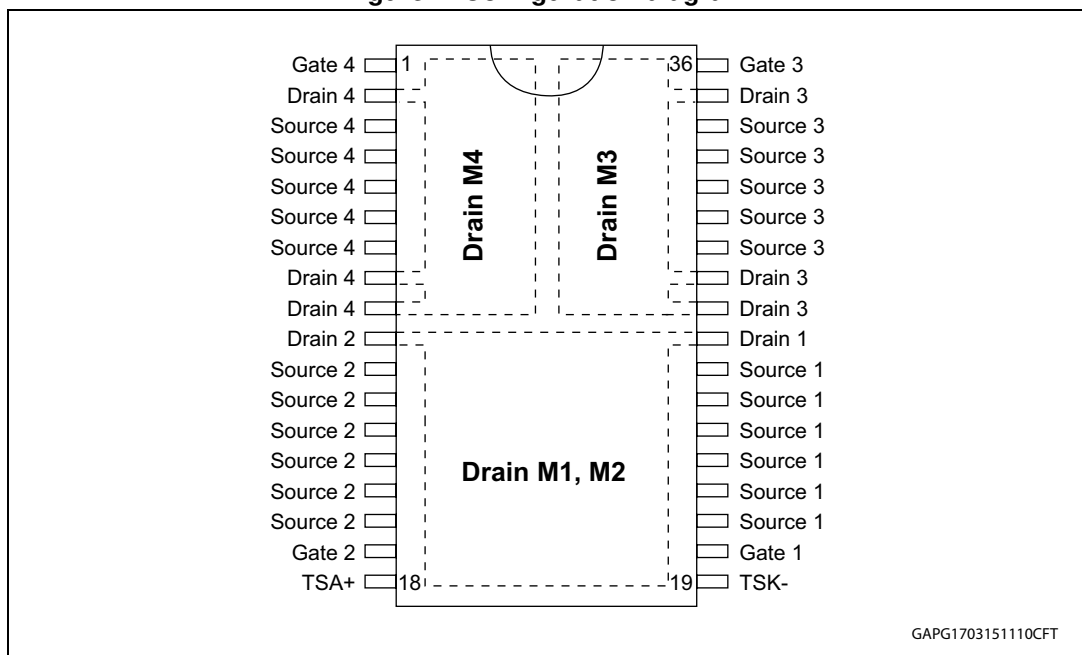


Table 2. Pin definitions and functions

Pin number	Symbol	Function
1	Gate 4	Gate of the LSD 4
2, 8, 9	Drain 4	Drain of the LSD 4
3, 4, 5, 6, 7	Source 4	Source of the LSD 4
10	Drain 2	Drain of the HSD 2
11, 12, 13, 14, 15, 16	Source 2	Source of the HSD 2
17	Gate 2	Gate of the HSD 2
18	TSA+	Thermal sensor anode
19	TSK-	Thermal sensor cathode
20	Gate 1	Gate of the HSD 1
21, 22, 23, 24, 25, 26	Source 1	Source of the HSD 1
27	Drain 1	Drain of the HSD 1
28, 29, 35	Drain 3	Drain of the LSD 3
30, 31, 32, 33, 34	Source 3	Source of the LSD 3
36	Gate 3	Gate of the LSD 3

## 2 Electrical specifications

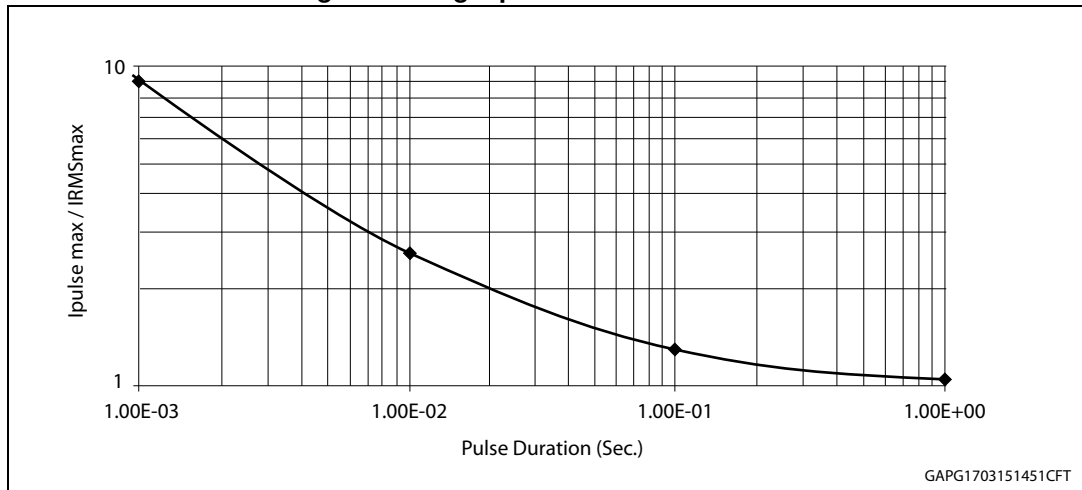
### 2.1 Absolute maximum rating

Table 3. Absolute maximum rating

Symbol	Parameter	Value	Unit
$V_{CC}$	Supply voltage (whole bridge switched off)	80	V
$I_{max}$	Maximum output current (continuous) at $T_C = 150\text{ °C}$	40	A
$V_{GS\_max}$	Maximum gate source voltage	18	V
$I_{Pulse\_max}$	Maximum Single Pulse output current	80 <sup>(1)</sup>	A
$V_{ESD}$	Electrostatic discharge HBM (JEDEC 22 A-114 F)		V
	– DRAIN HS	4000	
	– DRAIN LS	4000	
	– GATE HS	1000	
	– GATE LS	1000	
	– K+ – K-	750 750	
$T_j$	Junction operating temperature	175	°C
$T_C$	Case operating temperature	-40 to 150	°C
$T_{STG}$	Storage temperature	-55 to 150	°C
$I_S$	Diode continuous forward current	TBD	A

1. Pulse duration = 20 ms (see [Figure 3](#)).

Figure 3. Single pulse maximum current





## 2.2 Electrical characteristics

Values specified in this section are for  $V_{CC} = 7\text{ V}$  up to  $28\text{ V}$ ;  $-40\text{ °C} < T_j < 150\text{ °C}$ , typical values are referred to  $T_j = 25\text{ °C}$ , unless otherwise specified.

**Table 4. Power off**

Symbol	Parameter	Test conditions	Min.	Typ.	Max.	Unit
$V_{(BR)DSS}$	Drain-source breakdown voltage for HSD and LSDs	$I_D = 10\text{ mA}$ ; $V_{GS} = 0\text{ V}$	40	—		V
$I_{DSS}$	Zero gate voltage drain current ( $V_{GS} = 0\text{ V}$ )	$V_{DS} = 28\text{ V}$ ; $-40\text{ °C} < T_j < 150\text{ °C}$		—	100	$\mu\text{A}$
		$V_{DS} = 28\text{ V}$ ; $T_j = 25\text{ °C}$		—	10	$\mu\text{A}$
$I_{GSS}$	Gate-source leakage current ( $V_{DS} = 0\text{ V}$ )	$V_{GS} = \pm 10\text{ V}$ ; $T_j = 25\text{ °C}$		—	$\pm 100$	nA

**Table 5. Power on**

Symbol	Parameter	Test conditions	Min.	Typ.	Max.	Unit
$V_{GS(th)}$	Gate threshold voltage	$V_{DS} = V_{GS}$ ; $I_D = 1\text{ mA}$ ; $T_j = 25\text{ °C}$	2		4	V
$dV_{GS(th)}/dT$ (1)	Gate threshold voltage temperature derating	$V_{DS} = V_{GS}$ ; $I_D = 1\text{ mA}$		-5.8		$\text{mV}/\text{°C}$
$R_{DS(on)_{HS}}$	Static drain-source on resistance	$V_{GS} = 10\text{ V}$ ; $I_D = 6\text{ A}$ ; $T_j = 25\text{ °C}$		6.0		$\text{m}\Omega$
		$V_{GS} = 10\text{ V}$ ; $I_D = 6\text{ A}$ ; $T_j = 150\text{ °C}$			11.3	$\text{m}\Omega$
$R_{DS(on)_{LS}}$	Static drain-source on resistance	$V_{GS} = 10\text{ V}$ ; $I_D = 6\text{ A}$ ; $T_j = 25\text{ °C}$		7.8		$\text{m}\Omega$
		$V_{GS} = 10\text{ V}$ ; $I_D = 6\text{ A}$ ; $T_j = 150\text{ °C}$			15.3	$\text{m}\Omega$

1. Guaranteed by design.

**Table 6. Dynamic**

Symbol	Parameter	Test condition	Min.	Typ.	Max.	Unit
$C_{iss_{HS}}$	Input capacitance	$V_{DS} = 25\text{ V}$ ; $f = 1\text{ MHz}$ ; $V_{GS} = 0\text{ V}$	—	2600	—	pF
$C_{oss_{HS}}$	Output capacitance		—	383	—	pF
$C_{rss_{HS}}$	Reverse transfer capacitance		—	165	—	pF
$C_{iss_{LS}}$	Input capacitance	$V_{DS} = 25\text{ V}$ ; $f = 1\text{ MHz}$ ; $V_{GS} = 0\text{ V}$	—	1750	—	pF
$C_{oss_{LS}}$	Output capacitance		—	257	—	pF
$C_{rss_{LS}}$	Reverse transfer capacitance		—	125	—	pF

Note: Parameters in [Table 6](#) are guaranteed by design.

**Table 7. Gate resistance**

Symbol	Parameter	Test condition	Min.	Typ.	Max.	Unit
R <sub>G_HS</sub>	Gate resistance HS	V <sub>DD</sub> = 15 V; f <sub>gate</sub> = 1 MHz	—	7	—	Ω
R <sub>G_LS</sub>	Gate resistance LS		—	4.7	—	Ω

Note: Parameters in [Table 7](#) are guaranteed by design.

**Table 8. Source drain diode**

Symbol	Parameter	Test conditions	Min.	Typ.	Max.	Unit
V <sub>SD</sub> <sup>(1)</sup>	Forward on voltage	I <sub>SD</sub> = 6 A; V <sub>GS</sub> = 0 V; T <sub>j</sub> = 25 °C	—	0.75	1.1	V
t <sub>rr</sub> <sup>(2)</sup>	Reverse recovery time	I <sub>SD</sub> = 6 A; di/dt = 100 A/μs; V <sub>DD</sub> = 15 V; T <sub>j</sub> = 25 °C (see <a href="#">Figure 5</a> )	—	40	—	ns
Q <sub>rr</sub> <sup>(3)</sup>	Reverse recovery charge		—	20	—	nC
I <sub>RRM</sub> <sup>(2)</sup>	Reverse recovery current		—	1	—	A

1. Pulse width limited by safe operating area.
2. Guaranteed by design.
3. Parameters guaranteed by design.

**Table 9. Switching on HSD**

Symbol	Parameter	Test conditions	Min.	Typ.	Max.	Unit
t <sub>d(on)</sub>	Turn on delay time	V <sub>DD</sub> = 15 V; I <sub>D</sub> = 6 A; R <sub>G</sub> = 4.7 Ω; V <sub>GS</sub> = 10 V	—	44	—	ns
t <sub>r</sub>	Rise time		—	85	—	ns
Q <sub>g</sub> <sup>(1)</sup>	Total gate charge	V <sub>DD</sub> = 15 V; I <sub>D</sub> = 6 A; V <sub>GS</sub> = 10 V (see <a href="#">Figure 4</a> )	—	45	—	nC
Q <sub>gs</sub> <sup>(1)</sup>	Gate-source charge		—	8	—	nC
Q <sub>gd</sub> <sup>(1)</sup>	Gate-drain charge		—	8	—	nC

1. Parameters guaranteed by design.

**Table 10. Switching on LSD**

Symbol	Parameter	Test conditions	Min.	Typ.	Max.	Unit
t <sub>d(on)</sub>	Turn on delay time	V <sub>DD</sub> = 15 V; I <sub>D</sub> = 6 A; R <sub>G</sub> = 4.7 Ω; V <sub>GS</sub> = 10 V	—	40	—	ns
t <sub>r</sub>	Rise time		—	100	—	ns
Q <sub>g</sub> <sup>(1)</sup>	Total gate charge	V <sub>DD</sub> = 15 V; I <sub>D</sub> = 6 A; V <sub>GS</sub> = 10 V (see <a href="#">Figure 4</a> )	—	40	—	nC
Q <sub>gs</sub> <sup>(1)</sup>	Gate-source charge		—	4.9	—	nC
Q <sub>gd</sub> <sup>(1)</sup>	Gate-drain charge		—	6.2	—	nC

1. Parameters guaranteed by design.

Table 11. Switching off HSD

Symbol	Parameter	Test conditions	Min.	Typ.	Max.	Unit
$t_{d(off)}$	Turn-off delay time	$V_{DD} = 15\text{ V}; I_D = 6\text{ A}; R_G = 4.7\ \Omega;$	—	114	—	ns
$t_f$	Fall time	$V_{GS} = 10\text{ V}$ (see Figure 6)	—	27	—	ns

Table 12. Switching off LSD

Symbol	Parameter	Test conditions	Min.	Typ.	Max.	Unit
$t_{d(off)}$	Turn-off delay time	$V_{DD} = 15\text{ V}; I_D = 6\text{ A}; R_G = 4.7\ \Omega;$	—	83	—	ns
$t_f$	Fall time	$V_{GS} = 10\text{ V}$ (see Figure 6)	—	25	—	ns

Table 13. Thermal sensor

Symbol	Parameter	Test conditions	Min.	Typ.	Max.	Unit
$V_F$	Chain diode forward voltage	$T_j = 25\text{ }^\circ\text{C}; I_F = 250\ \mu\text{A}$	680	720	760	mV
$S_F^{(1)}$	Chain temperature coefficient	$-40\text{ }^\circ\text{C} < T_j < 175\text{ }^\circ\text{C}; I_F = 250\ \mu\text{A}$		-2		mV/°K

1. Parameters guaranteed by design.

Figure 4. Gate charge test circuit

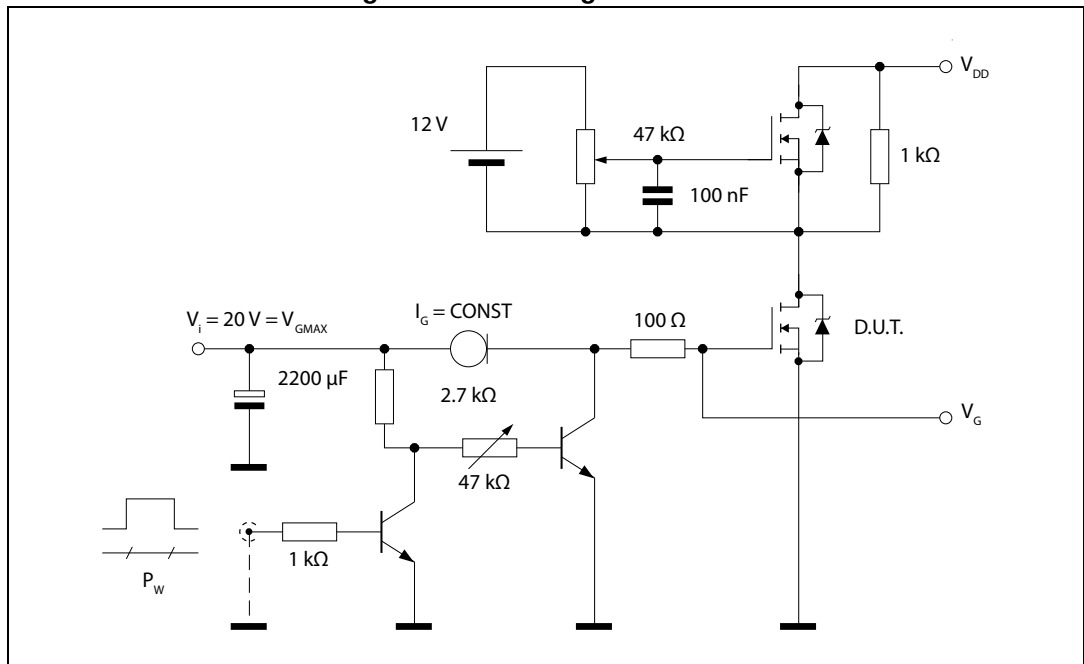


Figure 5. Test circuit for inductive load switching and diode recovery times

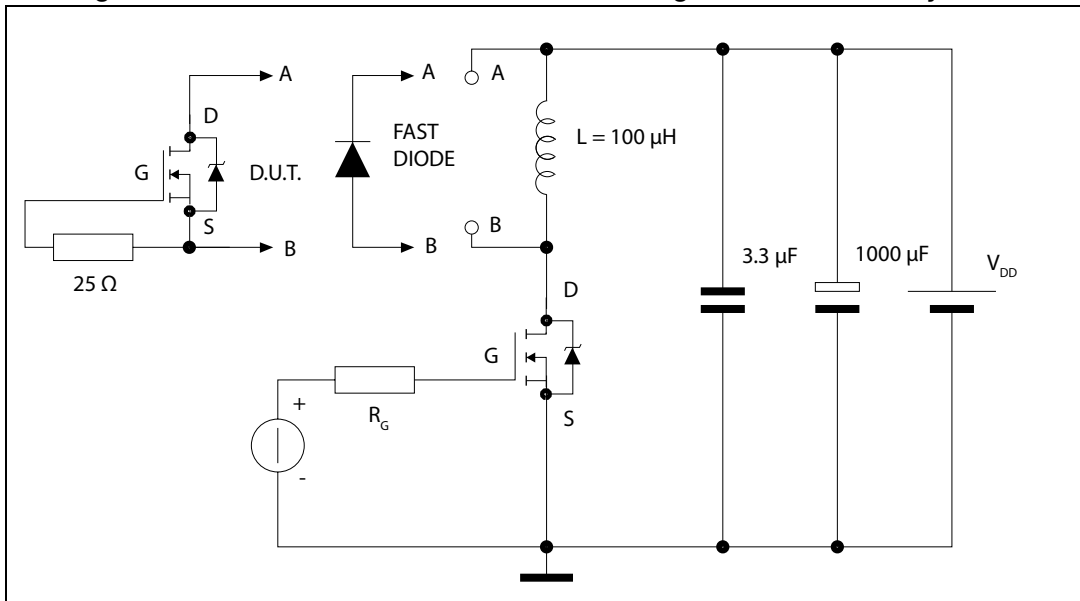
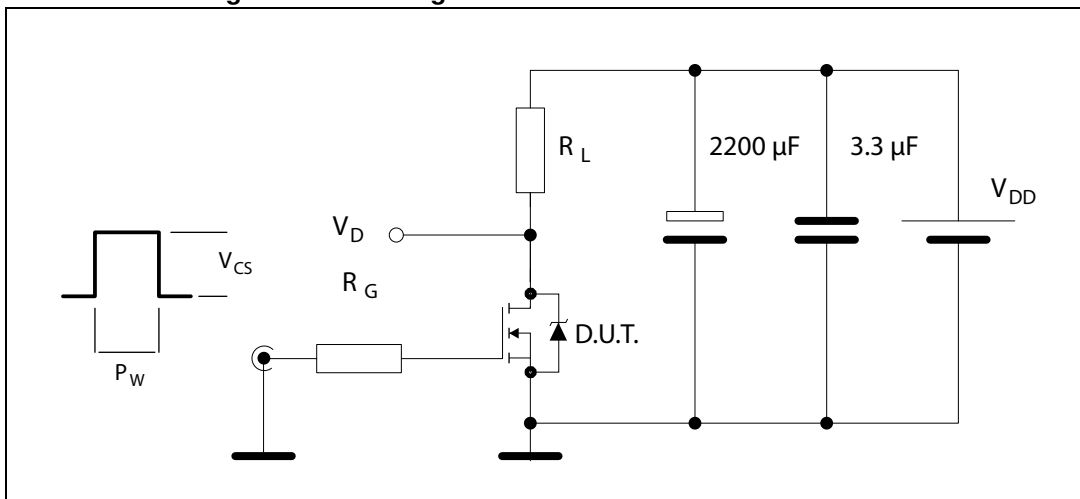


Figure 6. Switching times test circuit for resistive load



### 3 Package and PCB thermal data

#### 3.1 PowerSSO-36 thermal data

Figure 7. PowerSSO-36™ PC board

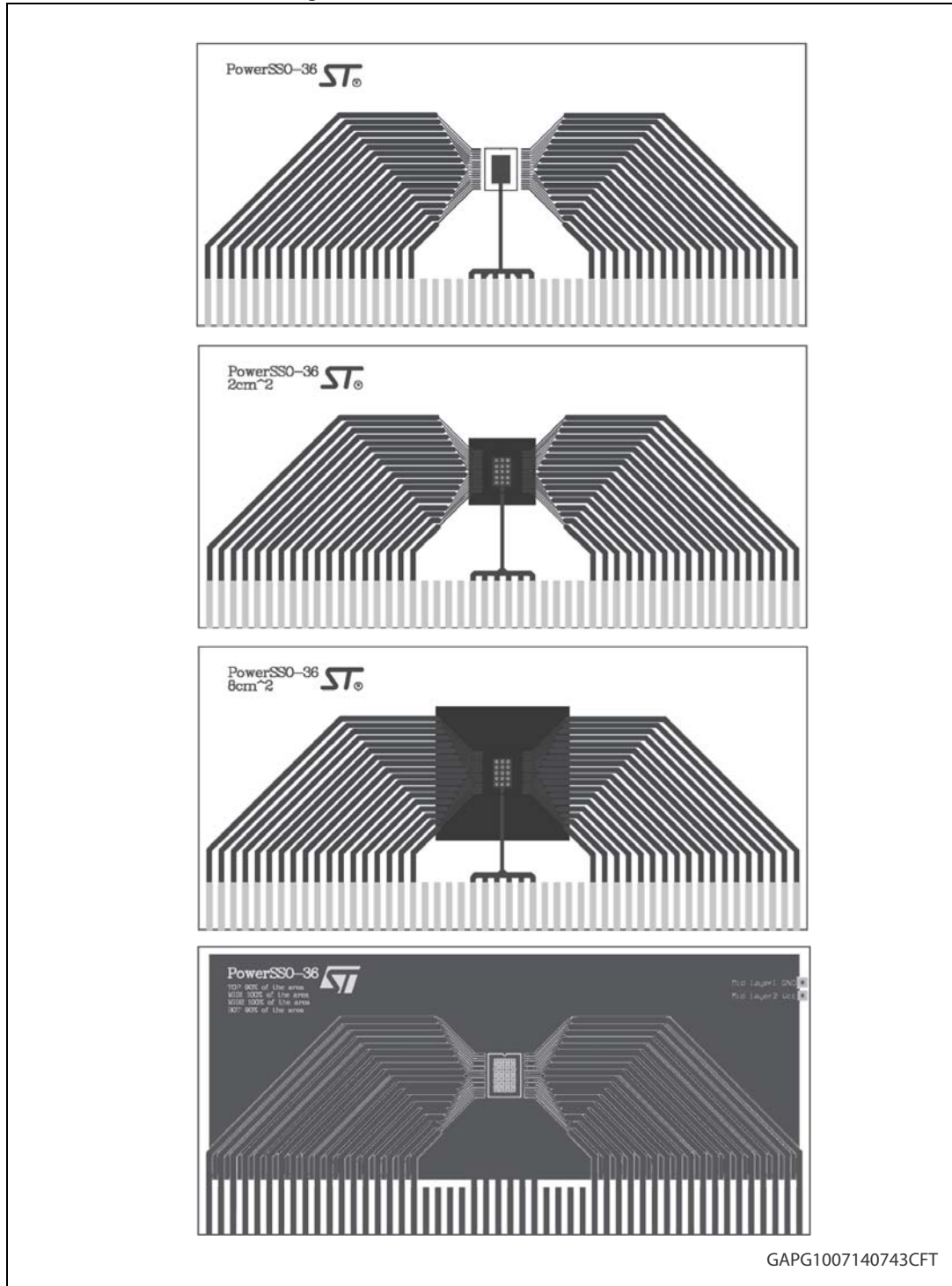


Figure 8. Chipset configuration

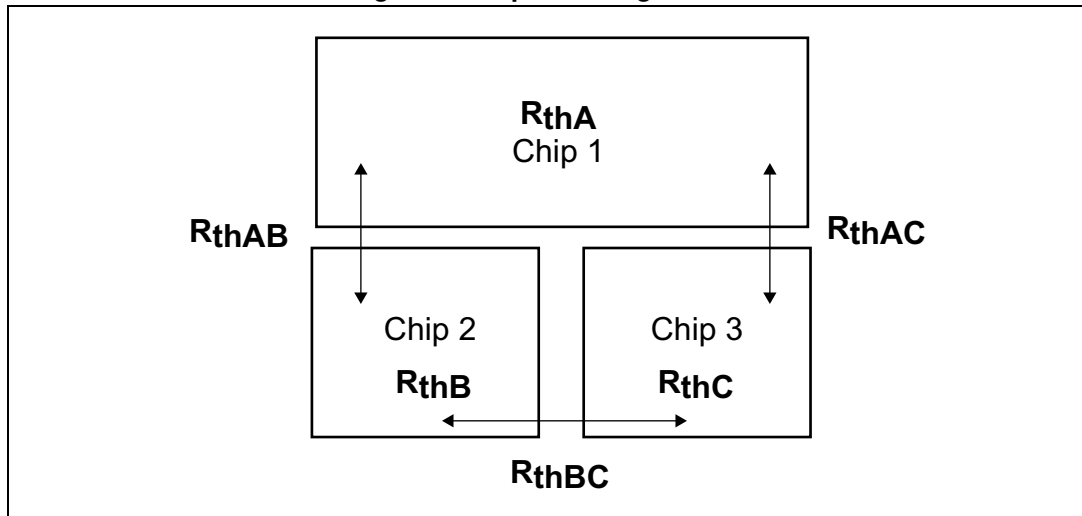
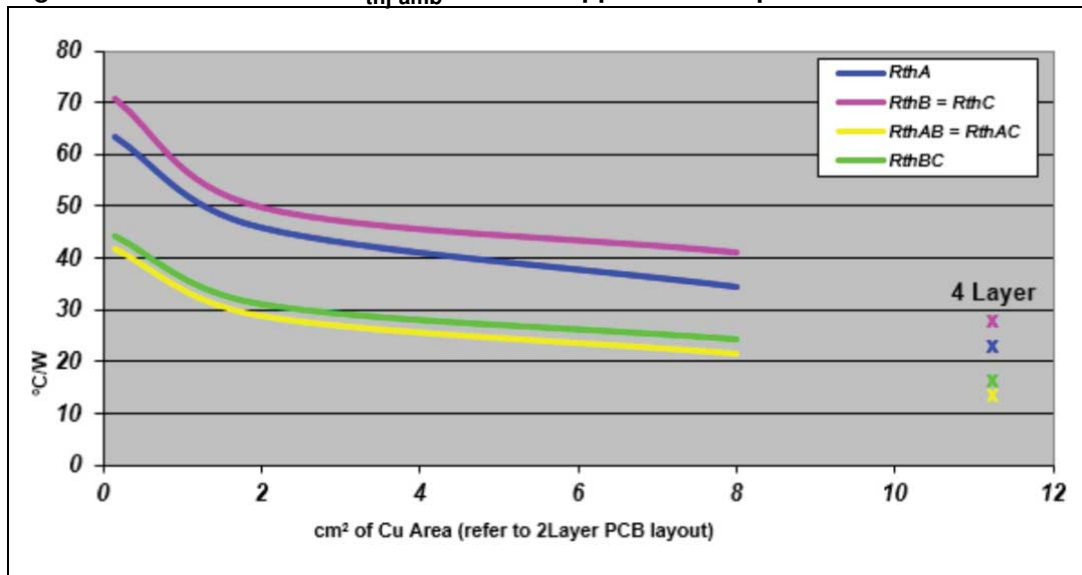


Figure 9. Auto and mutual  $R_{thj-amb}$  vs PCB copper area in open box free air condition



### 3.1.1 Thermal calculation in clockwise and anti-clockwise operation in steady-state mode

Table 14. Thermal calculation in clockwise and anti-clockwise operation in steady-state mode

HS <sub>A</sub>	HS <sub>B</sub>	LS <sub>A</sub>	LS <sub>B</sub>	T <sub>jHSAB</sub>	T <sub>jLSA</sub>	T <sub>jLSB</sub>
ON	OFF	OFF	ON	$\frac{P_{dHSA} \times R_{thHS} + P_{dLSB} \times R_{thHLS} + T_{amb}}{}$	$\frac{P_{dHSA} \times R_{thHLS} + P_{dLSD} \times R_{thLSLS} + T_{amb}}{}$	$\frac{P_{dHSA} \times R_{thHLS} + P_{dLSB} \times R_{thLS} + T_{amb}}{}$
OFF	ON	ON	OFF	$\frac{P_{dHSB} \times R_{thHS} + P_{dLSA} \times R_{thHLS} + T_{amb}}{}$	$\frac{P_{dHSB} \times R_{thHLS} + P_{dLSA} \times R_{thLS} + T_{amb}}{}$	$\frac{P_{dHSB} \times R_{thHLS} + P_{dLSA} \times R_{thLSLS} + T_{amb}}{}$

**3.1.2 Thermal resistance definitions (values according to the PCB heatsink area)**

- $R_{thHS} = R_{thHSA} = R_{thHSB}$  = high side chip thermal resistance junction to ambient (HSA or HSB in ON state)
- $R_{thLS} = R_{thLSA} = R_{thLSB}$  = low side chip thermal resistance junction to ambient
- $R_{thHSLS} = R_{thHSALSb} = R_{thHSBLsA}$  = mutual thermal resistance junction to ambient between high side and low side chips
- $R_{thLSLS} = R_{thLSALSb} = R_{thLSBLsA}$  = mutual thermal resistance junction to ambient between low side chips

**3.1.3 Thermal calculation in transient mode<sup>(a)</sup>**

- $T_{jHSAB} = Z_{thHS} \times P_{dHSAB} + Z_{thHSLS} \times (P_{dLSA} + P_{dLSB}) + T_{amb}$
- $T_{jLSA} = Z_{thHSLS} \times P_{dHSAB} + Z_{thLS} \times P_{dLSA} + Z_{thLSLS} \times P_{dLSB} + T_{amb}$
- $T_{jLSB} = Z_{thHSLS} \times P_{dHSAB} + Z_{thLSLS} \times P_{dLSA} + Z_{thLS} \times P_{dLSB} + T_{amb}$

**3.1.4 Single pulse thermal impedance definitions (values according to the PCB heatsink area)**

- $Z_{thHS}$  = high side chip thermal impedance junction to ambient
- $Z_{thLS} = Z_{thLSA} = Z_{thLSB}$  = low side chip thermal impedance junction to ambient
- $Z_{thHSLS} = Z_{thHSABLsA} = Z_{thHSABLsB}$  = mutual thermal impedance junction to ambient between high side and low side chips
- $Z_{thLSLS} = Z_{thLSALSb} = Z_{thLSBLsA}$  = mutual thermal impedance junction to ambient between low side chips

**Equation 1: pulse calculation formula**

$$Z_{TH\delta} = R_{TH} P \delta + Z_{THtp}(1 - \delta)$$

where  $\delta = t_p/T$

---

a. Calculation is valid in any dynamic operating condition.  $P_d$  values set by user.



Figure 10. PowerSSO-36 HSD thermal impedance junction ambient single pulse

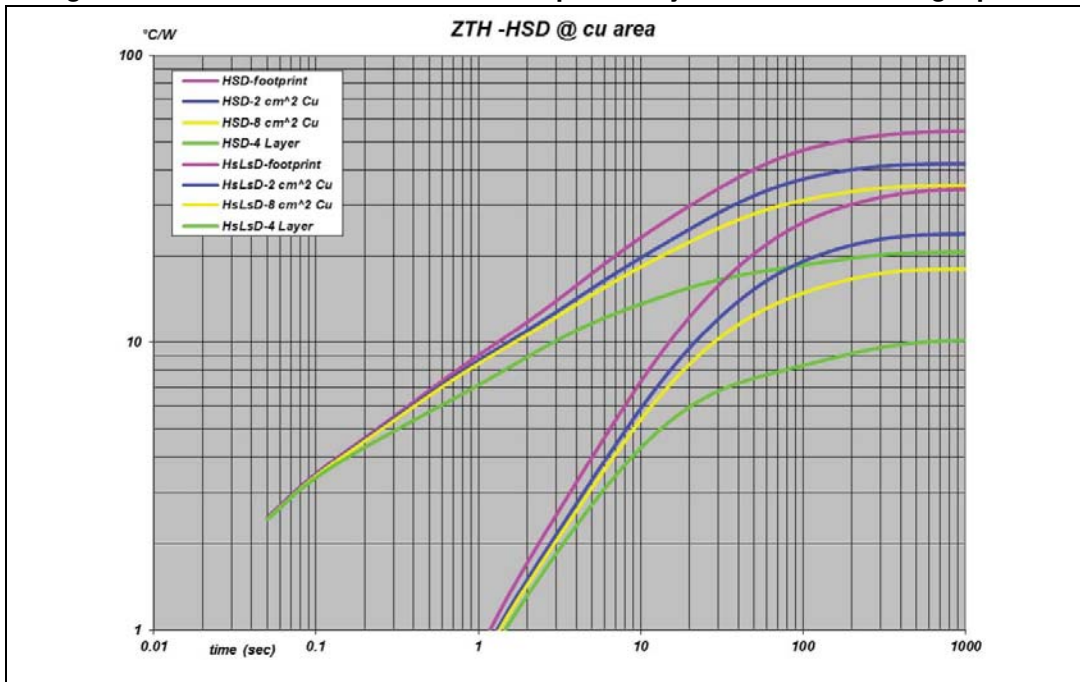


Figure 11. PowerSSO-36 LSD thermal impedance junction ambient single pulse

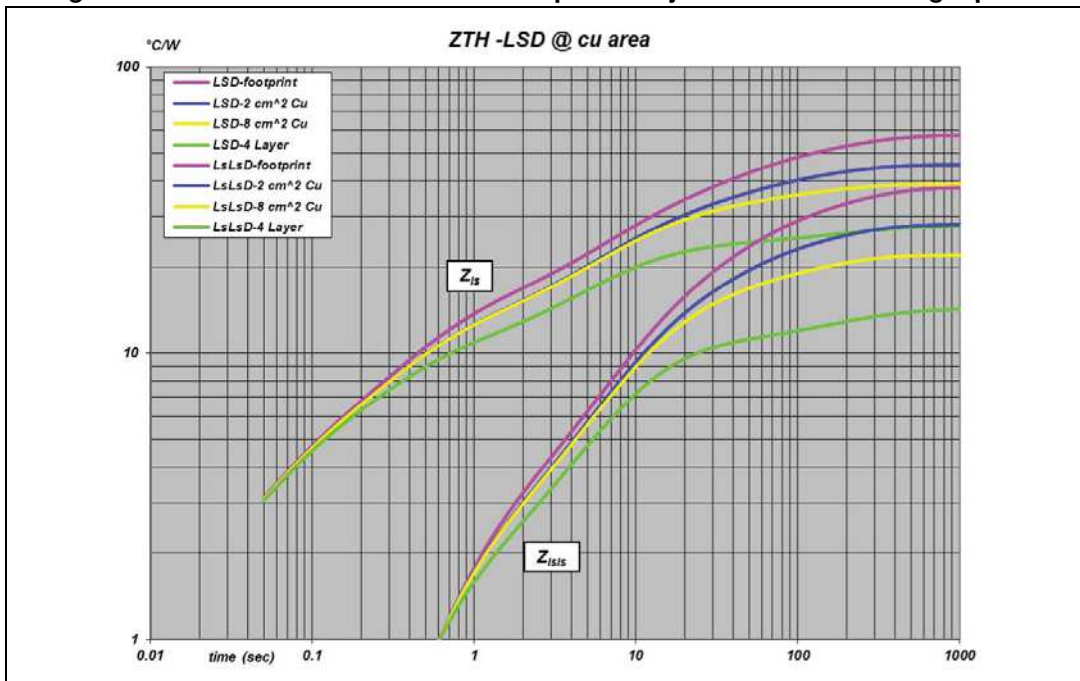


Figure 12. Thermal fitting model of an H-bridge in PowerSSO-36

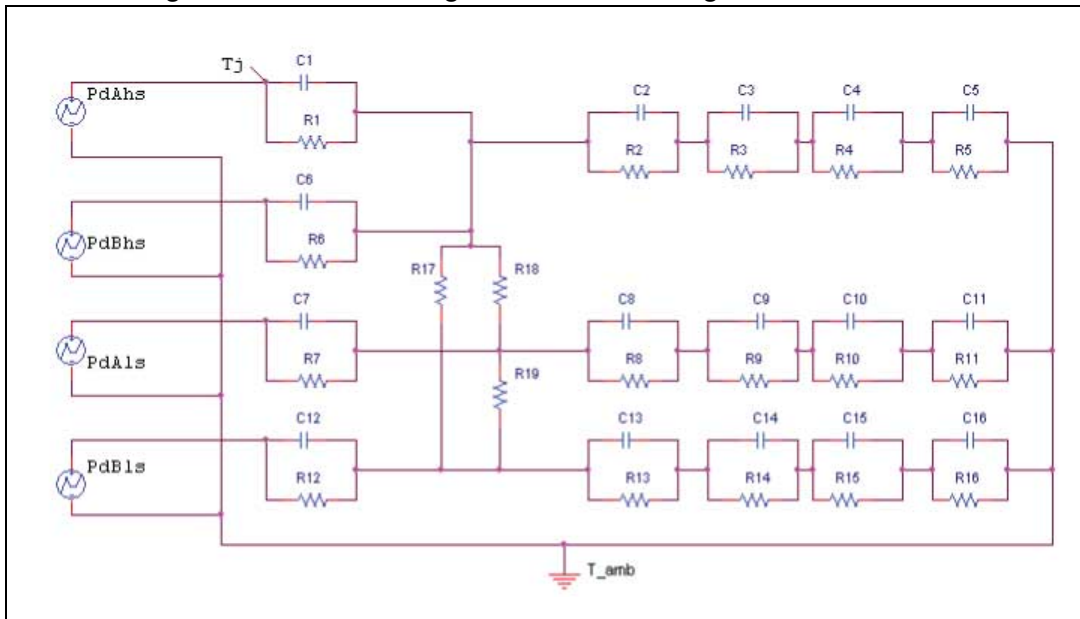


Table 15. Thermal parameters<sup>(1)</sup>

Area/island (cm <sup>2</sup> )	FP	2	8	4L
R1 (°C/W)	2.4			
R2 (°C/W)	4	4	4	2
R3 (°C/W)	14	10	10	8
R4 (°C/W)	50	32	22	9
R5 (°C/W)	34	26	21	8
R6 (°C/W)	2.4			
R7 (°C/W)	2.8			
R8 (°C/W)	12	10	10	8
R9 (°C/W)	37	35	35	30
R10 (°C/W)	41	30	20	10
R11 (°C/W)	50	31	20	15
R12 (°C/W)	2.8			
R13 (°C/W)	12	10	10	8
R14 (°C/W)	37	35	35	30
R15 (°C/W)	41	30	20	10
R16 (°C/W)	50	31	20	15
R17 (°C/W)	73	70	70	50
R18 (°C/W)	73	70	70	50
R19 (°C/W)	53	45	45	35

Table 15. Thermal parameters<sup>(1)</sup> (continued)

Area/island (cm <sup>2</sup> )	FP	2	8	4L
C1 (W·s/°C)	0.015			
C2 (W·s/°C)	0.1			
C3 (W·s/°C)	0.4	0.4	0.4	0.3
C4 (W·s/°C)	0.8	1	1.2	1.5
C5 (W·s/°C)	3	4	6	15
C6 (W·s/°C)	0.015			
C7 (W·s/°C)	0.015			
C8 (W·s/°C)	0.05			
C9 (W·s/°C)	0.3			
C10 (W·s/°C)	0.8	1	1	1.5
C11 (W·s/°C)	4	5	6	15
C12 (W·s/°C)	0.015			
C13 (W·s/°C)	0.05			
C14 (W·s/°C)	0.3			
C15 (W·s/°C)	0.8	1	1	1.5
C16 (W·s/°C)	4	5	6	15

1. The blank space means that the value is the same as the previous one.

# 4 Package information

In order to meet environmental requirements, ST offers these devices in different grades of ECOPACK® packages, depending on their level of environmental compliance. ECOPACK® specifications, grade definitions and product status are available at: [www.st.com](http://www.st.com).

ECOPACK® is an ST trademark.

## 4.1 PowerSSO-36 TP package information

Figure 13. PowerSSO-36 TP package outline

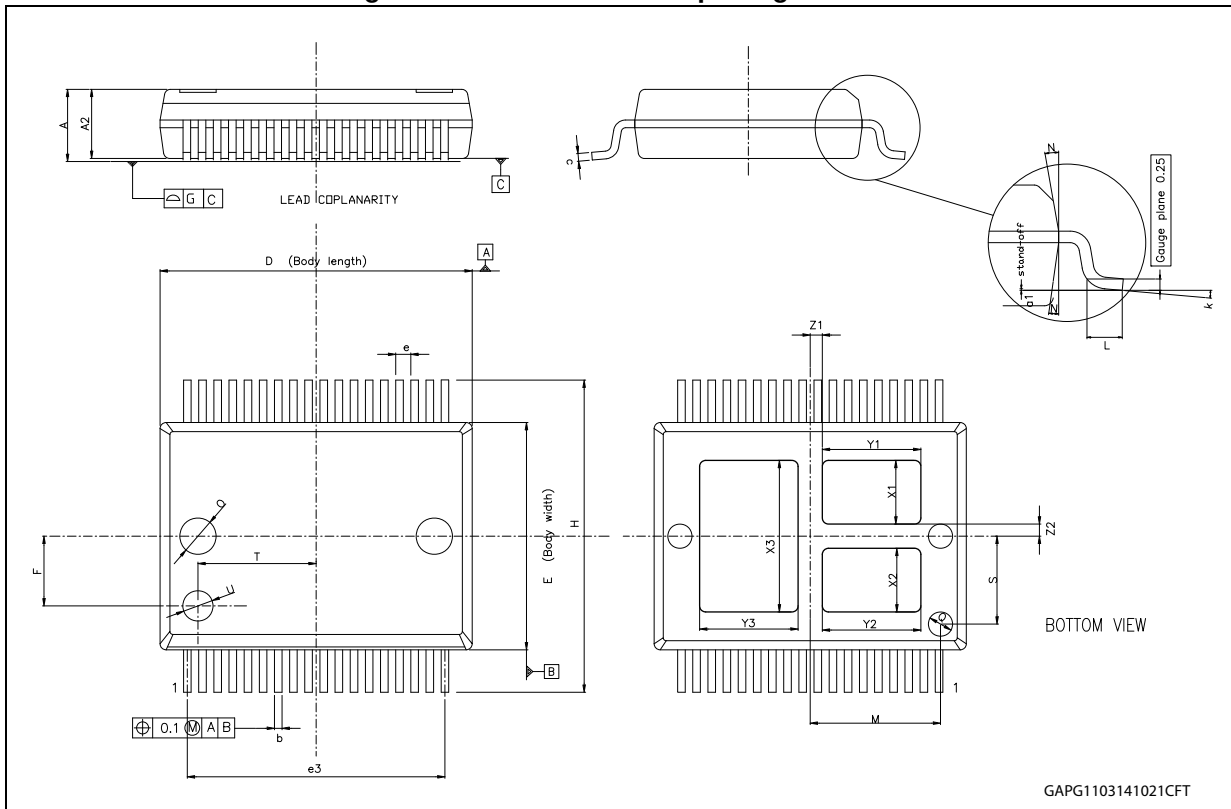


Table 16. PowerSSO-36 TP mechanical data

Symbol	Millimeters		
	Min.	Typ.	Max.
A	2.15		2.47
A2	2.15		2.40
a1	0		0.1
b	0.18		0.36
c	0.23		0.32
D	10.10		10.50
E	7.4		7.6
e		0.5	
e3		8.5	
F		2.3	
G			0.1
H	10.1		10.5
h			0.4
k	0 deg		8 deg
L	0.6		1
M		4.3	
N			10 deg
O		1.2	
Q		0.8	
S		2.9	
T		3.65	
U		1.0	
X1	1.85		2.35
Y1	3		3.5
X2	1.85		2.35
Y2	3		3.5
X3	4.7		5.2
Y3	3		3.5
Z1		0.4	
Z2		0.4	

## 4.2 PowerSSO-36 TP packing information

Figure 14. PowerSSO-36 TP tube shipment (no suffix)

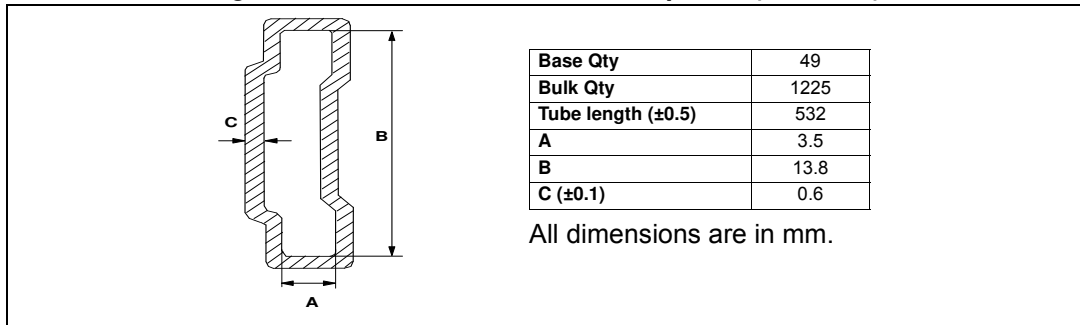
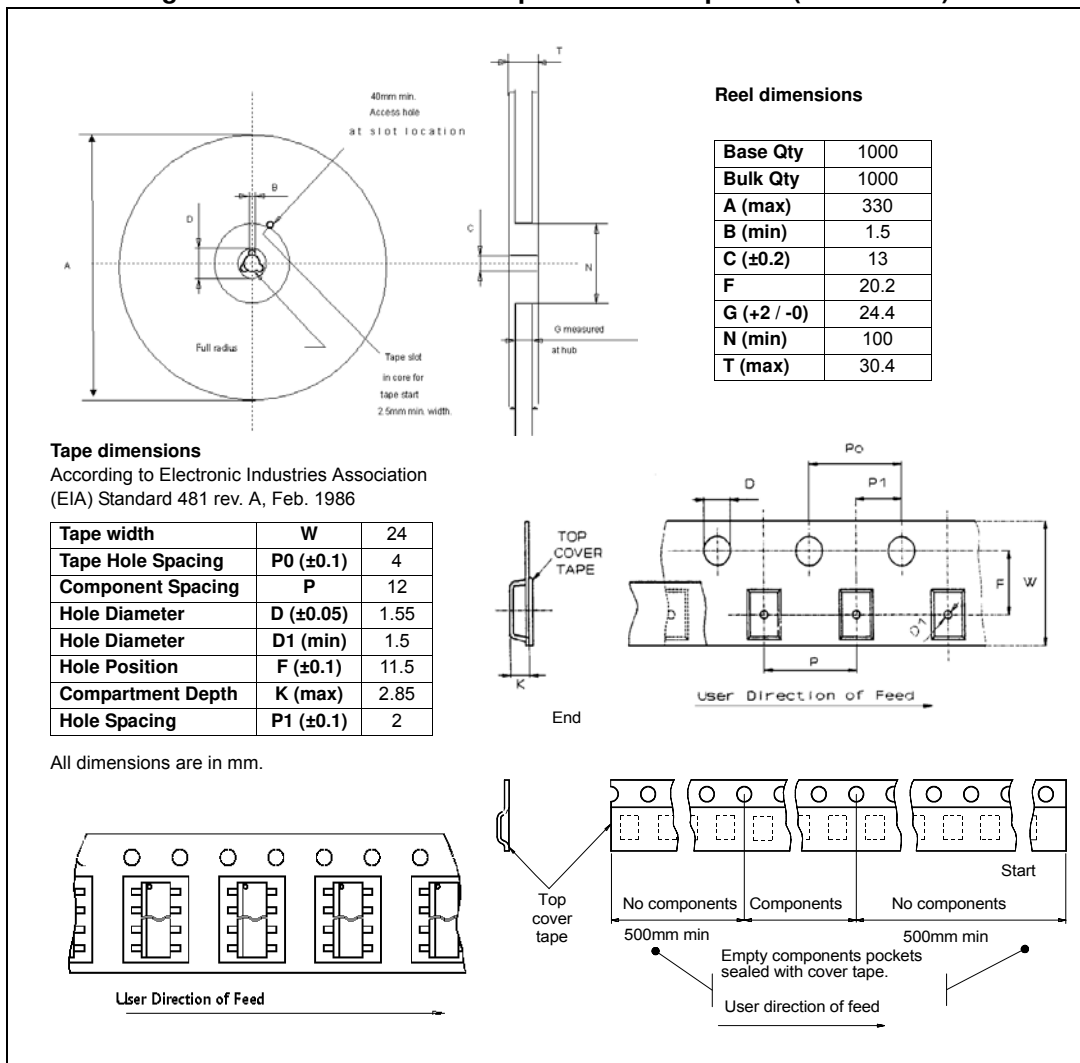
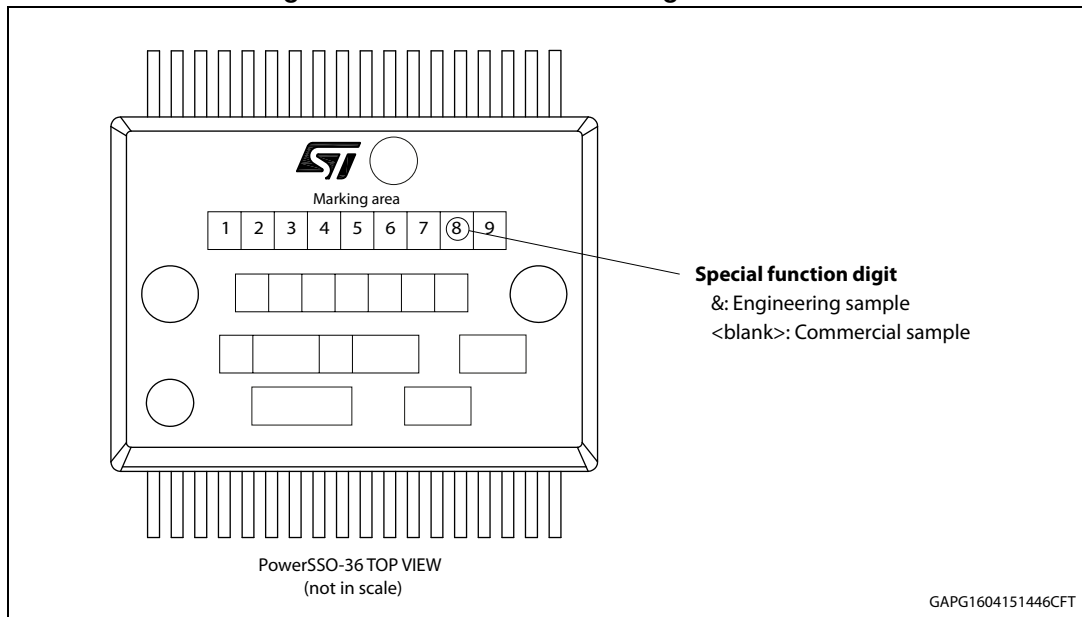


Figure 15. PowerSSO-36 TP tape and reel shipment (suffix “TR”)



### 4.3 PowerSSO-36 marking information

Figure 16. PowerSSO-36 marking information



**Note:** Parts marked as "&" are not yet qualified and therefore not approved for use in production. ST is not responsible for any consequences resulting from such use. In no event will ST be liable for the customer using any of these engineering samples in production. ST's Quality department must be contacted prior to any decision to use these engineering samples to run a qualification activity.

**Note:** Commercial Samples: fully qualified parts from ST standard production with no usage restrictions.



## 5 Revision history

**Table 17. Document revision history**

Date	Revision	Changes
14-Oct-2015	1	Initial release
26-Apr-2016	2	Updated following tables: – <i>Table 4: Power off</i> – <i>Table 5: Power on</i> – <i>Table 6: Dynamic</i> – <i>Table 7: Gate resistance</i> – <i>Table 8: Source drain diode</i> – <i>Table 9: Switching on HSD</i> – <i>Table 10: Switching on LSD</i> – <i>Table 11: Switching off HSD</i> – <i>Table 12: Switching off LSD</i> – <i>Table 13: Thermal sensor</i>
20-Jun-2016	3	Updated <i>Table 3: Absolute maximum rating</i> , <i>Table 5: Power on</i> , <i>Table 6: Dynamic</i> , <i>Table 7: Gate resistance</i> , <i>Table 8: Source drain diode</i> , <i>Table 9: Switching on HSD</i> , <i>Table 10: Switching on LSD</i> and <i>Table 13: Thermal sensor</i> . Document status changed from target to preliminary data.
13-Jul-2016	4	Updated <i>Table 4: Power off</i>
28-Nov-2016	5	Removed table thermal data on page 8. Updated <a href="#">Section 4: Package information</a> . Added <a href="#">Section 3: Package and PCB thermal data</a> . Minor text changes.
17-Jan-2017	6	Updated <a href="#">Features</a> Updated following tables: – <a href="#">Table 3: Absolute maximum rating</a> – <a href="#">Table 6: Dynamic</a> – <a href="#">Table 7: Gate resistance</a> – <a href="#">Table 8: Source drain diode</a> – <a href="#">Table 9: Switching on HSD</a> – <a href="#">Table 10: Switching on LSD</a> – <a href="#">Table 11: Switching off HSD</a> – <a href="#">Table 12: Switching off LSD</a> – <a href="#">Table 13: Thermal sensor</a>

**IMPORTANT NOTICE – PLEASE READ CAREFULLY**

STMicroelectronics NV and its subsidiaries ("ST") reserve the right to make changes, corrections, enhancements, modifications, and improvements to ST products and/or to this document at any time without notice. Purchasers should obtain the latest relevant information on ST products before placing orders. ST products are sold pursuant to ST's terms and conditions of sale in place at the time of order acknowledgement.

Purchasers are solely responsible for the choice, selection, and use of ST products and ST assumes no liability for application assistance or the design of Purchasers' products.

No license, express or implied, to any intellectual property right is granted by ST herein.

Resale of ST products with provisions different from the information set forth herein shall void any warranty granted by ST for such product.

ST and the ST logo are trademarks of ST. All other product or service names are the property of their respective owners.

Information in this document supersedes and replaces information previously supplied in any prior versions of this document.

© 2017 STMicroelectronics – All rights reserved