



Chipsmall Limited consists of a professional team with an average of over 10 year of expertise in the distribution of electronic components. Based in Hongkong, we have already established firm and mutual-benefit business relationships with customers from,Europe,America and south Asia,supplying obsolete and hard-to-find components to meet their specific needs.

With the principle of “Quality Parts,Customers Priority,Honest Operation,and Considerate Service”,our business mainly focus on the distribution of electronic components. Line cards we deal with include Microchip,ALPS,ROHM,Xilinx,Pulse,ON,Everlight and Freescale. Main products comprise IC,Modules,Potentiometer,IC Socket,Relay,Connector.Our parts cover such applications as commercial,industrial, and automotives areas.

We are looking forward to setting up business relationship with you and hope to provide you with the best service and solution. Let us make a better world for our industry!



Contact us

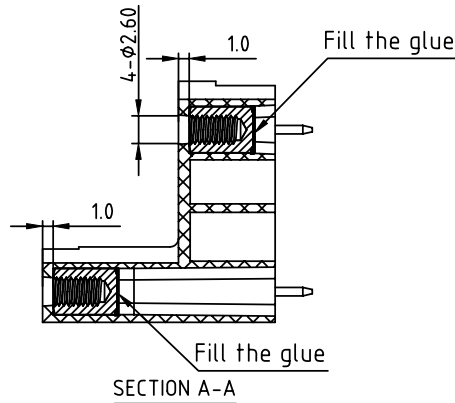
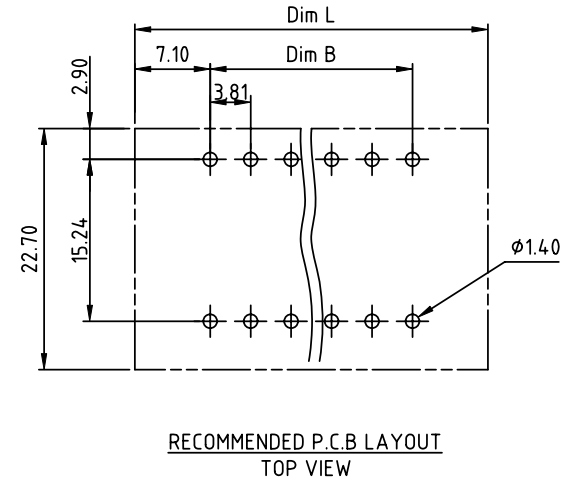
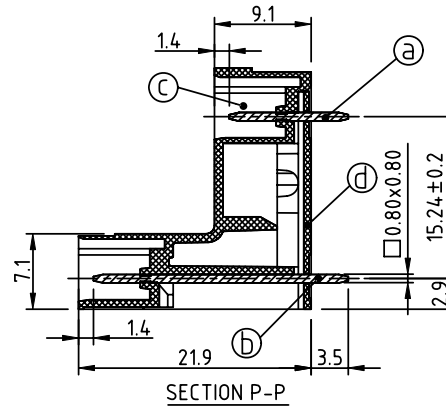
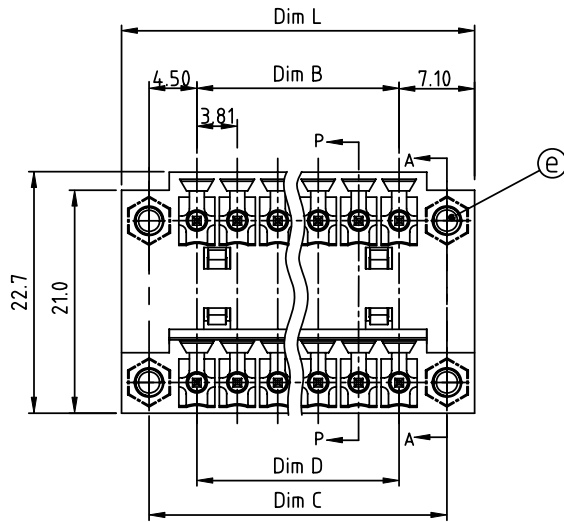
Tel: +86-755-8981 8866 Fax: +86-755-8427 6832

Email & Skype: info@chipsmall.com Web: www.chipsmall.com

Address: A1208, Overseas Decoration Building, #122 Zhenhua RD., Futian, Shenzhen, China



PRODUCT NUMBER	PITCH
VOxx32x000J0G	3.81 mm



N=Number of poles
 Dim L=(N/2-1)×3.81+14.2
 Dim B=(N/2-1)×3.81
 Dim C=(N/2-1)×3.81+9.0
 Dim D=(N/2-1)×3.81

Poles	Tolerance
2×2P-2×5P	±0.15
2×6P-2×10P	±0.20
2×11P-2×15P	±0.25
2×16P-2×20P	±0.30
2×21P-2×24P	±0.35

PART NO.: VO xx 32 x 0 00J0 G

	Color	RoHS compliant (lead<4%) In copper Alloy
Solid block	0 Black (RAL9005)	
No. of poles	2 Red (RAL3001/D)	
04 2x2poles	3 Orange(RAL2011/P)	
06 2x3poles	4 Yellow(RAL1018/A)	
...	5 Green(RAL6018/T)	
48 2x24poles	6 Blue (RAL5015/A)	
	8 Grey(RAL7035/D)	
	9 White(RAL1102)	
	C Green(RAL6018/U)	

Material:

- Itemⓐ Short pin: Copper, Tin plated
- Itemⓓ Long pin: Copper, Tin plated
- ItemⒸ Terminal (housing): Thermoplastic (UL94V-0)
- Itemⓔ Terminal (cover): Thermoplastic (UL94V-0)
- ItemⓈ With flange nut: Brass M2.5

Electrical:

- Voltage rating: 300V
- Current rating: 10A
- Withstanding Voltage: 1.6 KV
- Operating temperature: -40°C to +115°C
- Soldering temperature: 260°C±5°C/5 Sec
- Safety Approval: cULus

mat'l. code		surface ASME Y14.5	tolerance ASME Y14.5	projection	product family
ltr ecn no dr date		tolerances unless otherwise specified		MM	TERMINAL BLOCK
angles		X.±0.5		scale	title
X*±1°		X.X±0.3			TERMINAL BLOCK
dr EVIN ZHONG 042914		X.XX±0.1			PLUGGABLE SOCKET, WITH FLANGE, VERTICAL
enrg EVIN ZHONG 042914					sheet 1 of 1 size
chr HANKE FENG 042914					VOxx32x000J0G A4
appd SHI JUN 042914					type CUSTOMER Drawing
sheet index	revision sheet	A	1		