



Chipsmall Limited consists of a professional team with an average of over 10 year of expertise in the distribution of electronic components. Based in Hongkong, we have already established firm and mutual-benefit business relationships with customers from,Europe,America and south Asia,supplying obsolete and hard-to-find components to meet their specific needs.

With the principle of “Quality Parts,Customers Priority,Honest Operation,and Considerate Service”,our business mainly focus on the distribution of electronic components. Line cards we deal with include Microchip,ALPS,ROHM,Xilinx,Pulse,ON,Everlight and Freescale. Main products comprise IC,Modules,Potentiometer,IC Socket,Relay,Connector.Our parts cover such applications as commercial,industrial, and automotives areas.

We are looking forward to setting up business relationship with you and hope to provide you with the best service and solution. Let us make a better world for our industry!



## Contact us

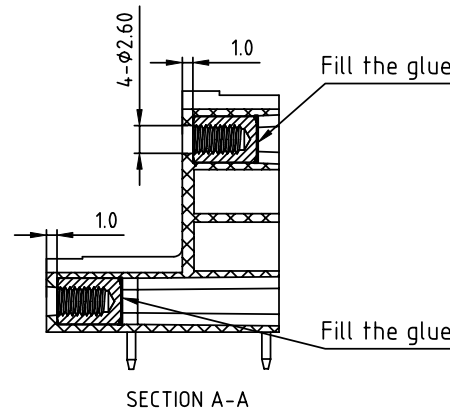
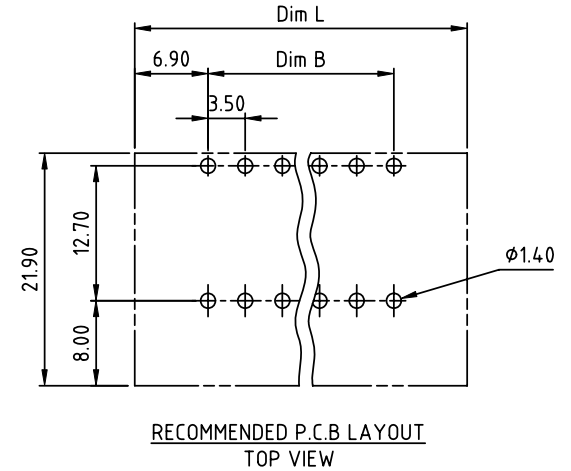
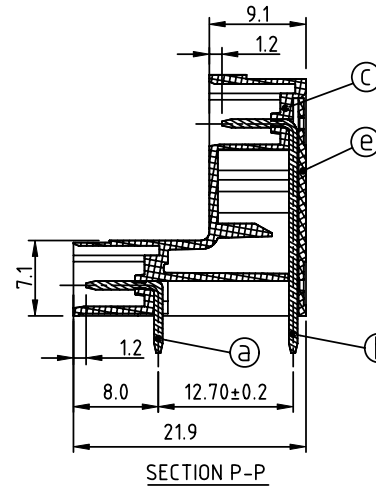
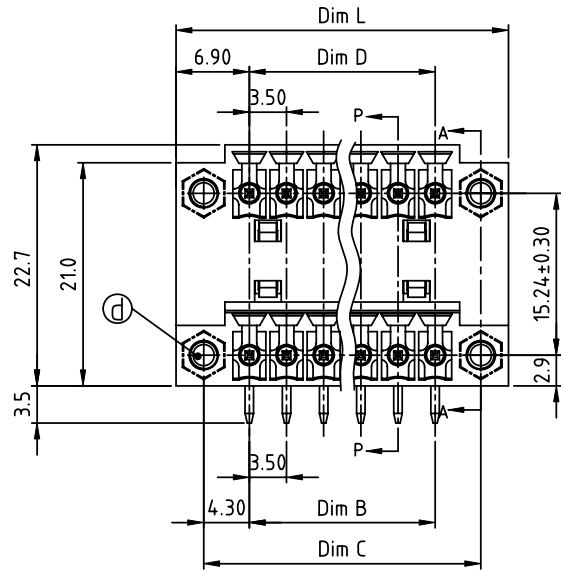
Tel: +86-755-8981 8866 Fax: +86-755-8427 6832

Email & Skype: info@chipsmall.com Web: www.chipsmall.com

Address: A1208, Overseas Decoration Building, #122 Zhenhua RD., Futian, Shenzhen, China



PRODUCT NUMBER	PITCH
VOxx12x100J0G	3.50 mm



- Material:
- Item (a) Short pin: Copper, Tin plated
  - Item (b) Long pin: Copper, Tin plated
  - Item (c) Terminal(housing): Thermoplastic (UL94V-0)
  - Item (d) With flange nut: Brass ,M2.5
  - Item (e) Terminal(cover): Thermoplastic (UL94V-0)
- Electrical:
- Voltage rating: 300V
  - Current rating: 10A
  - Withstanding Voltage: 1.6 KV
  - Operating temperature: -40°C to +115°C
  - Soldering temperature: 260°C±5°C/5 Sec
  - Safety Approval:

N=Number of poles  
 Dim L=(N/2-1)×3.5+13.8  
 Dim B=(N/2-1)×3.5  
 Dim C=(N/2-1)×3.5+8.6  
 Dim D=(N/2-1)×3.5

Poles	Tolerance
2×2P-2×5P	±0.15
2×6P-2×10P	±0.20
2×11P-2×15P	±0.25
2×16P-2×20P	±0.30
2×21P-2×24P	±0.35

PART NO.: VO xx 12 x 1 00J0 G

Solid block	No. of poles	Color	RoHS compliant (lead<4%) In copper Alloy
04	2x2poles	0 Black (RAL9005)	
06	2x3poles	2 Red (RAL3001/D)	
...	...	3 Orange(RAL2011/P)	
48	2x24poles	4 Yellow(RAL1018/A)	
		5 Green(RAL6018/T)	
		6 Blue (RAL5015/A)	
		8 Grey(RAL7035/D)	
		9 White(RAL1102)	
		C Green(RAL6018/U)	

mat'l. code		surface ASME Y14.5	tolerance ASME Y14.5	projection	product family
ltr ecn no dr date		tolerances unless otherwise specified			TERMINAL BLOCK
		angles	X.±0.5	MM	title
		flat	X.X±0.3	scale	TERMINAL BLOCK
		X°±1°	X.XX±0.1		PLUGGABLE SOCKET, WITH FLANGE, RIGHT ANGLE
		dr	EVIN ZHONG 043014		dwg no
		enrg	EVIN ZHONG 043014		sheet 1 of 1
		chr	HANKE FENG 043014		size
		appd	SHI JUN 043014		A4
sheet index	revision sheet	A	1		type CUSTOMER Drawing