



Chipsmall Limited consists of a professional team with an average of over 10 year of expertise in the distribution of electronic components. Based in Hongkong, we have already established firm and mutual-benefit business relationships with customers from,Europe,America and south Asia,supplying obsolete and hard-to-find components to meet their specific needs.

With the principle of “Quality Parts,Customers Priority,Honest Operation,and Considerate Service”,our business mainly focus on the distribution of electronic components. Line cards we deal with include Microchip,ALPS,ROHM,Xilinx,Pulse,ON,Everlight and Freescale. Main products comprise IC,Modules,Potentiometer,IC Socket,Relay,Connector.Our parts cover such applications as commercial,industrial, and automotives areas.

We are looking forward to setting up business relationship with you and hope to provide you with the best service and solution. Let us make a better world for our industry!



Contact us

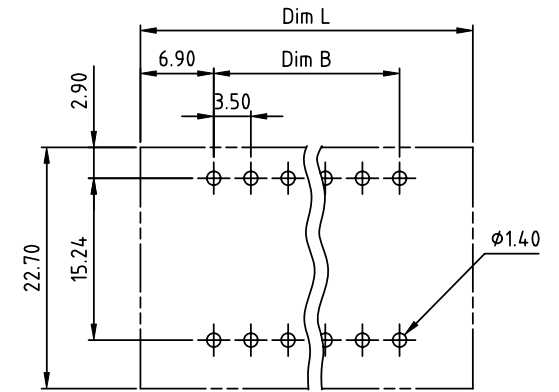
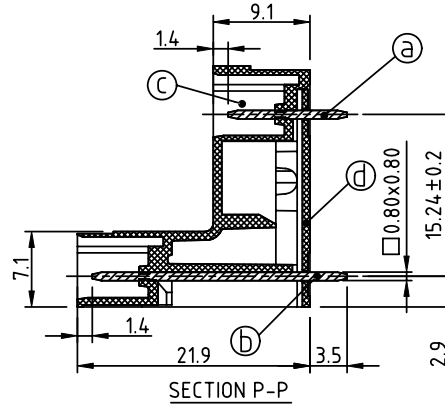
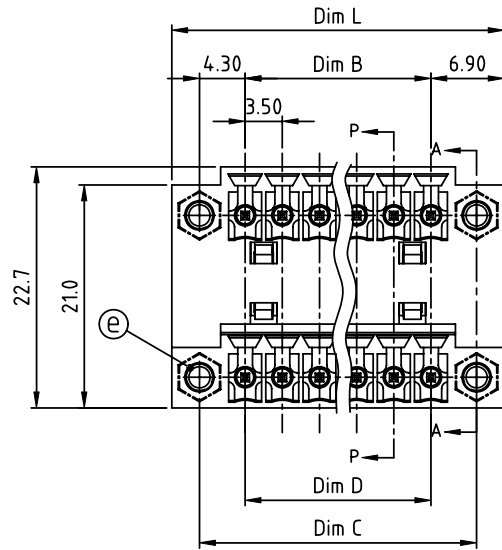
Tel: +86-755-8981 8866 Fax: +86-755-8427 6832

Email & Skype: info@chipsmall.com Web: www.chipsmall.com

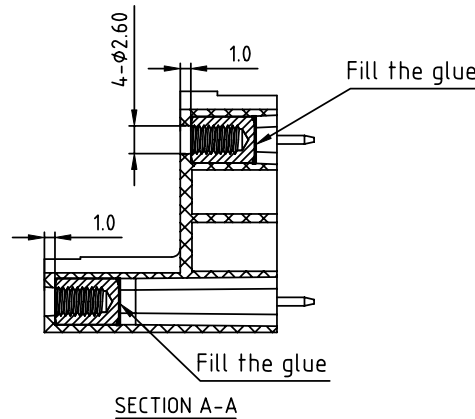
Address: A1208, Overseas Decoration Building, #122 Zhenhua RD., Futian, Shenzhen, China



PRODUCT NUMBER	PITCH
VOxx12x000J0G	3.50 mm



RECOMMENDED P.C.B LAYOUT
TOP VIEW



SECTION A-A

Material:

- ItemⒶ Short pin: Copper, Tin plated
- ItemⒷ Long pin: Copper, Tin plated
- ItemⒸ Terminal (housing): Thermoplastic (UL94V-0)
- ItemⒹ Terminal (cover): Thermoplastic (UL94V-0)
- ItemⒺ With flange nut: Brass M2.5

Electrical:

- Voltage rating: 300V
- Current rating: 10A
- Withstanding Voltage: 1.6 KV
- Operating temperature: -40°C to +115°C
- Soldering temperature: 260°C±5°C/5 Sec
- Safety Approval:

N=Number of poles
 Dim L=(N/2-1)×3.5+13.8
 Dim B=(N/2-1)×3.5
 Dim C=(N/2-1)×3.5+8.6
 Dim D=(N/2-1)×3.5

Poles	Tolerance
2×2P-2×5P	±0.15
2×6P-2×10P	±0.20
2×11P-2×15P	±0.25
2×16P-2×20P	±0.30
2×21P-2×24P	±0.35

PART NO.: VO xx 12 x 0 00J0 G

	Color	RoHS compliant
Solid block	0 Black (RAL9005)	RoHS compliant (lead<4%) In copper Alloy
No. of poles	2 Red (RAL3001/D)	
04 2x2poles	3 Orange(RAL2011/P)	
06 2x3poles	4 Yellow(RAL1018/A)	
... ..	5 Green(RAL6018/T)	
48 2x24poles	6 Blue (RAL5015/A)	
	8 Grey(RAL7035/D)	
	9 White(RAL1102)	
	C Green(RAL6018/U)	

mat'l. code		surface ASME Y14.5	tolerance ASME Y14.5	projection 	product family TERMINAL BLOCK
ltr	ecn no	dr	date	tolerances unless otherwise specified	title TERMINAL BLOCK
				angles φ X°±1°	PLUGGABLE SOCKET, WITH FLANGE, VERTICAL
				scale	MM
		dr	EVIN ZHONG	043014	dwg no
		enr	EVIN ZHONG	043014	sheet 1 of 1
		chr	HANKE FENG	043014	size VOxx12x000J0G
		appd	SHI JUN	043014	A4
sheet index	revision	A			type CUSTOMER Drawing
	sheet	1			