



Chipsmall Limited consists of a professional team with an average of over 10 year of expertise in the distribution of electronic components. Based in Hongkong, we have already established firm and mutual-benefit business relationships with customers from,Europe,America and south Asia,supplying obsolete and hard-to-find components to meet their specific needs.

With the principle of "Quality Parts,Customers Priority,Honest Operation,and Considerate Service",our business mainly focus on the distribution of electronic components. Line cards we deal with include Microchip,ALPS,ROHM,Xilinx,Pulse,ON,Everlight and Freescale. Main products comprise IC,Modules,Potentiometer,IC Socket,Relay,Connector.Our parts cover such applications as commercial,industrial, and automotives areas.

We are looking forward to setting up business relationship with you and hope to provide you with the best service and solution. Let us make a better world for our industry!



Contact us

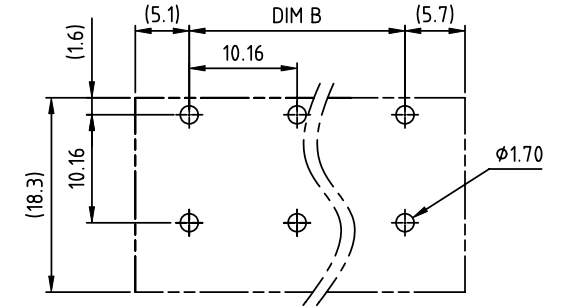
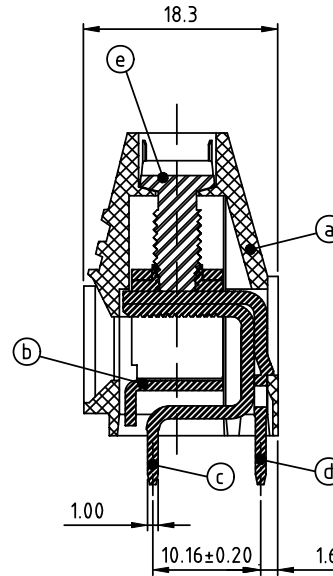
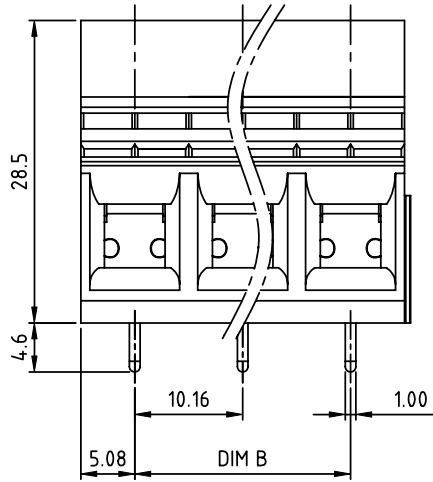
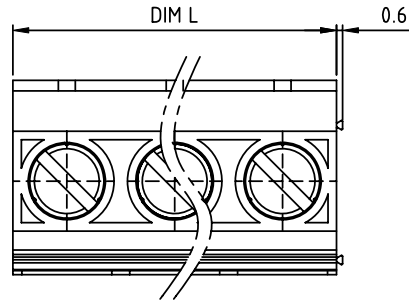
Tel: +86-755-8981 8866 Fax: +86-755-8427 6832

Email & Skype: info@chipsmall.com Web: www.chipsmall.com

Address: A1208, Overseas Decoration Building, #122 Zhenhua RD., Futian, Shenzhen, China



PRODUCT NUMBER	PITCH
VPxx65x4.00J0G	10.16 mm



RECOMMENDED P.C.B LAYOUT
TOP VIEW

Material:

- Item Terminal housing : Thermoplastic (UL 94V-0)
- Item Clamp : Steel stamping , Zinc plated
- Item Solder pin1 : Copper, Tin plated
- Item Solder pin2 : Copper, Tin plated
- Item Terminal screw: Steel Zinc plating"- "slot type

Electrical cULus IEC

- Voltage rating : 300V 650V
- Current rating : 65A 57A
- Wire range :
- Solid wire (AWG) : 6-20 / 0.5-16mm²
- Stranded wire (AWG) : 6-20 / 0.5-10mm²
- Torque : 19 Lb-In / 1.2 N.m
- Screw : M4,5
- Wire strip length : 10~11mm
- Withstanding voltage : 1.6KV / 8KV
- Operating temperature : -40°C+115°C
- Soldering temperature : 260°C+5°C/5 Sec
- Safety Approval : cULus

PART NO.: VP xx 6 5 x 4 00J0 G

N = Number of poles
Dim L=N×10.16
Dim B=(N-1)×10.16

Poles	Tolerance
2-4p	±0.15
5-8p	±0.25
9-12p	±0.35

End Stackable	No. of poles	Body Color	RoHS compliant (lead<4%) In copper Alloy
0	2	Black (RAL9005)	
2	3	Red (RAL3001/D)	
3	4	Orange(RAL2011/P)	
4	5	Yellow(RAL1018/A)	
5	6	Green(RAL6018/T)	
6	8	Blue (RAL5015/A)	
8	9	Grey(RAL7035/D)	
9	9	White(RAL1102)	
C	12	Green(RAL6018/U)	

mat'l. code		surface ASME Y14.5	tolerance ASME Y14.5	projection	product family
itr ecn no dr date		tolerances unless otherwise specified		MM	TERMINAL BLOCK
angles		X.±0.5		scale	title
X'±1"		X.X±0.3			TERMINAL BLOCK
dr		X.XX±0.1			RISING CLAMP,SINGLE TAIL TYPE
enr					dwg no
chr					sheet 1 of 1
appd					size
					VPxx65x400J0G
					A4
					type
					CUSTOMER Drawing
sheet index	revision sheet	A	1		