



Chipsmall Limited consists of a professional team with an average of over 10 year of expertise in the distribution of electronic components. Based in Hongkong, we have already established firm and mutual-benefit business relationships with customers from,Europe,America and south Asia,supplying obsolete and hard-to-find components to meet their specific needs.

With the principle of “Quality Parts,Customers Priority,Honest Operation,and Considerate Service”,our business mainly focus on the distribution of electronic components. Line cards we deal with include Microchip,ALPS,ROHM,Xilinx,Pulse,ON,Everlight and Freescale. Main products comprise IC,Modules,Potentiometer,IC Socket,Relay,Connector.Our parts cover such applications as commercial,industrial, and automotives areas.

We are looking forward to setting up business relationship with you and hope to provide you with the best service and solution. Let us make a better world for our industry!



Contact us

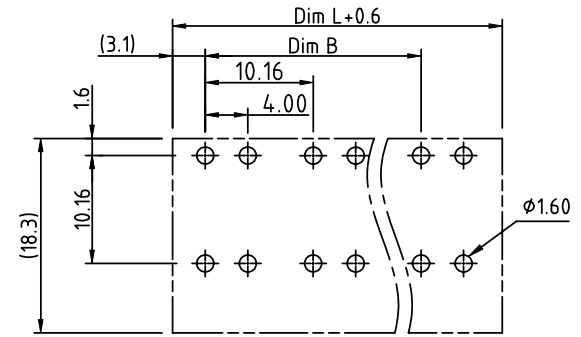
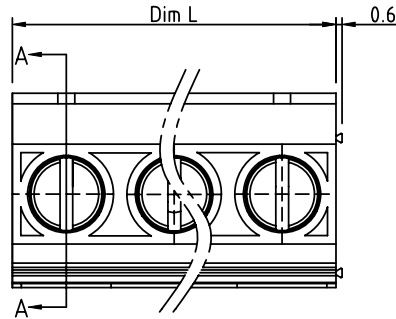
Tel: +86-755-8981 8866 Fax: +86-755-8427 6832

Email & Skype: info@chipsmall.com Web: www.chipsmall.com

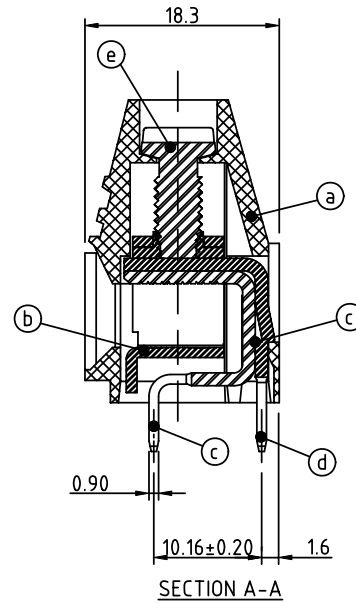
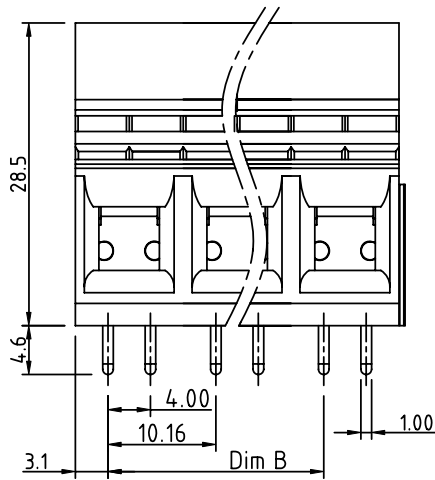
Address: A1208, Overseas Decoration Building, #122 Zhenhua RD., Futian, Shenzhen, China



| | |
|----------------|----------|
| PRODUCT NUMBER | PITCH |
| VPxx65x800J0G | 10.16 mm |



RECOMMENDED P.C.B LAYOUT
TOP VIEW



SECTION A-A

Material:

- Item (a) Terminal housing: Thermoplastic (UL 94V-0)
- Item (b) Clamp: Steel stamping, Zinc plated
- Item (c) Solder pin1: Copper, Tin plated
- Item (d) Solder pin2: Copper, Tin plated
- Item (e) Terminal screw: Steel Zinc plating"-slot type

Electrical cULus IEC

- Voltage rating: 300V 250V
- Current rating: 65A 57A
- Wire range:
- Solid wire (AWG): 6-20 / 0.5-16mm²
- Stranded wire (AWG): 6-20 / 0.5-16mm²
- Torque: 19 Lb-In / 1.2 N.m
- Screw: M4.5
- Wire strip length: 10~11mm
- Withstanding voltage: 1.6KV / 4KV
- Operating temperature: -40°C+115°C
- Soldering temperature: 260°C+5°C/5 Sec
- Safety Approval: US

PART NO.: VP xx 6 5 x 8 00J0 G

N = Number of poles
Dim L=N×10.16
Dim B=(N-1)×10.16

| Poles | Tolerance |
|-------|-----------|
| 2-4p | ±0.20 |
| 5-8p | ±0.30 |
| 9-12p | ±0.40 |

End Stackable
No. of poles
02 2 poles
03 3 poles
... ..
12 12 poles

Body Color
0 Black (RAL9005)
2 Red (RAL3001/D)
3 Orange(RAL2011/P)
4 Yellow(RAL1018/A)
5 Green(RAL6018/T)
6 Blue (RAL5015/A)
8 Grey(RAL7035/D)
9 White(RAL1102)
C Green(RAL6018/U)

RoHS compliant
(lead<4%)
In copper Alloy

| | | | | | |
|-------------|----------|-----------------------|-------------------------|---------------------------------------|--|
| mat'l. code | | surface ASME Y14.5 | tolerance ASME Y14.5 | projection | product family TERMINAL BLOCK |
| ltr | ecn no | dr | date | tolerances unless otherwise specified | title TERMINAL BLOCK |
| | | | | angles $X \pm 1^\circ$ | MM RISING CLAMP,DOUBLE PARALLEL TAIL TYPE |
| | | | | dr | scale |
| | | | | enr | FCI |
| | | | | chr | dwg no |
| | | | | appd | sheet 1 of 1 |
| | | | | | size |
| | | | | | VPxx65x800J0G |
| | | | | | A4 |
| | | | | | type |
| | | | | | CUSTOMER Drawing |
| sheet index | revision | A | | | |
| | sheet | 1 | | | |