



Chipsmall Limited consists of a professional team with an average of over 10 year of expertise in the distribution of electronic components. Based in Hongkong, we have already established firm and mutual-benefit business relationships with customers from,Europe,America and south Asia,supplying obsolete and hard-to-find components to meet their specific needs.

With the principle of “Quality Parts,Customers Priority,Honest Operation,and Considerate Service”,our business mainly focus on the distribution of electronic components. Line cards we deal with include Microchip,ALPS,ROHM,Xilinx,Pulse,ON,Everlight and Freescale. Main products comprise IC,Modules,Potentiometer,IC Socket,Relay,Connector.Our parts cover such applications as commercial,industrial, and automotives areas.

We are looking forward to setting up business relationship with you and hope to provide you with the best service and solution. Let us make a better world for our industry!



Contact us

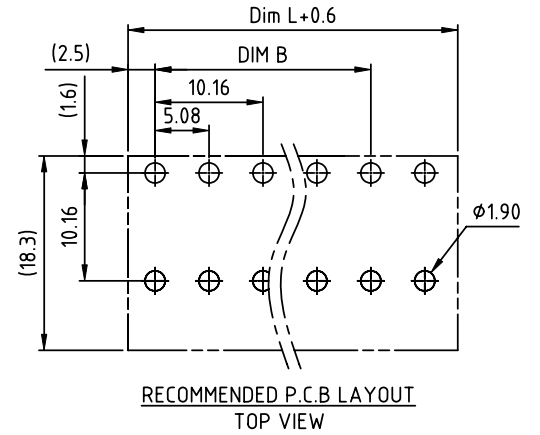
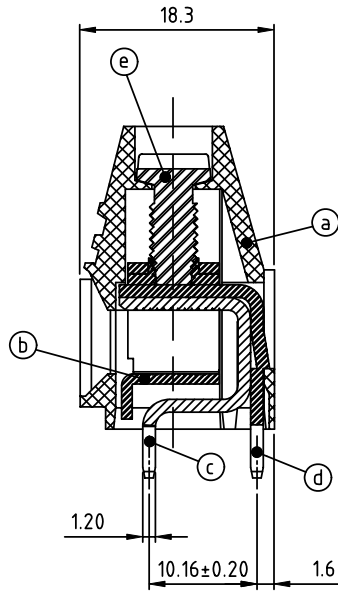
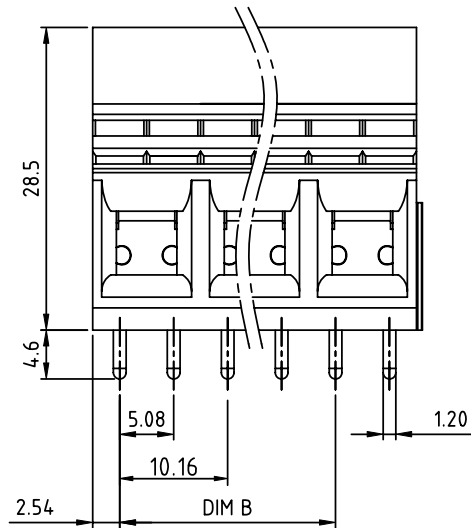
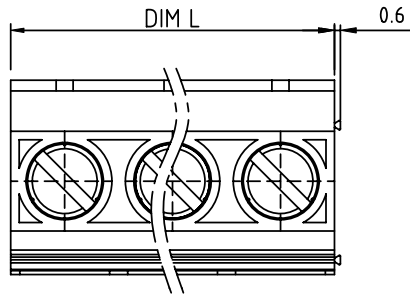
Tel: +86-755-8981 8866 Fax: +86-755-8427 6832

Email & Skype: info@chipsmall.com Web: www.chipsmall.com

Address: A1208, Overseas Decoration Building, #122 Zhenhua RD., Futian, Shenzhen, China



PRODUCT NUMBER	PITCH
VPxx65x500J0G	10.16 mm



- Material:
- Item①Terminal housing :Thermoplastic (UL 94V-0)
 - Item②Clamp : Steel stamping , Zinc plated
 - Item③Solder pin1: Copper , Tin plated
 - Item④Solder pin2 : Copper , Tin plated
 - Item⑤Terminal screw: Steel Zinc plating"- "slot type

- Electrical cULus IEC
- Voltage rating : 300V 250V
 - Current rating : 65A 57A
 - Wire range :
 - Solid wire (AWG) : 6-20 / 0.5-16mm²
 - Stranded wire (AWG) : 6-20 / 0.5-16mm²
 - Torque : 19 Lb-In / 1.2 N.m
 - Screw : M4.5
 - Wire strip length : 10~11mm
 - Withstanding voltage : 1.6KV / 4KV
 - Operating temperature : -40°C+115°C
 - Soldering temperature : 260°C+5°C/5 Sec
 - Safety Approval : US

PART NO.: VP xx 6 5 x 5 00J0 G

N = Number of poles
Dim L=N×10.16
Dim B=(N-1)×10.16

Poles	Tolerance
2-4p	±0.15
5-8p	±0.25
9-12p	±0.35

End Stackable
No. of poles
02 2 poles
03 3 poles
... ..
12 12 poles

Body Color
0 Black (RAL9005)
2 Red (RAL3001/D)
3 Orange(RAL2011/P)
4 Yellow(RAL1018/A)
5 Green(RAL6018/T)
6 Blue (RAL5015/A)
8 Grey(RAL7035/D)
9 White(RAL1102)
C Green(RAL6018/U)

RoHS compliant
(lead<4%)
In copper Alloy

mat'l. code		surface ASME Y14.5	tolerance ASME Y14.5	projection 	product family TERMINAL BLOCK
ltr	ecn no	dr	date	tolerances unless otherwise specified	title TERMINAL BLOCK
				angles 	← MM →
				X±0.5	scale
				X.X±0.3	dr
				X.XX±0.1	ENGR
					chr
					appd
					SHI JUN
					041414
sheet index	revision	A			FCI
	sheet	1			dwg no
					VPxx65x500J0G
					sheet 1 of 1
					size
					A4
					type
					CUSTOMER Drawing