



Chipsmall Limited consists of a professional team with an average of over 10 year of expertise in the distribution of electronic components. Based in Hongkong, we have already established firm and mutual-benefit business relationships with customers from,Europe,America and south Asia,supplying obsolete and hard-to-find components to meet their specific needs.

With the principle of “Quality Parts,Customers Priority,Honest Operation,and Considerate Service”,our business mainly focus on the distribution of electronic components. Line cards we deal with include Microchip,ALPS,ROHM,Xilinx,Pulse,ON,Everlight and Freescale. Main products comprise IC,Modules,Potentiometer,IC Socket,Relay,Connector.Our parts cover such applications as commercial,industrial, and automotives areas.

We are looking forward to setting up business relationship with you and hope to provide you with the best service and solution. Let us make a better world for our industry!



Contact us

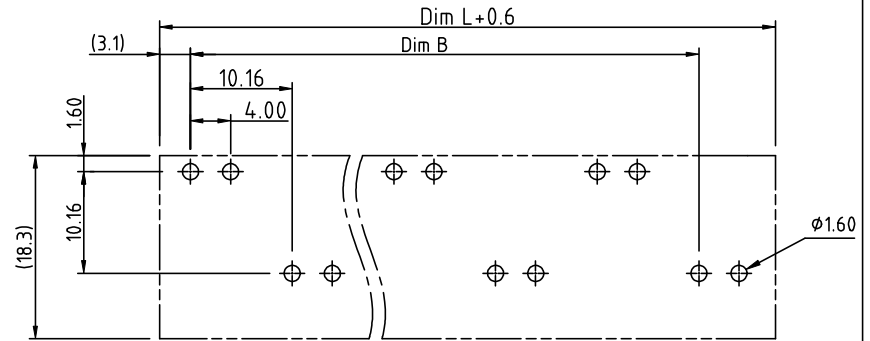
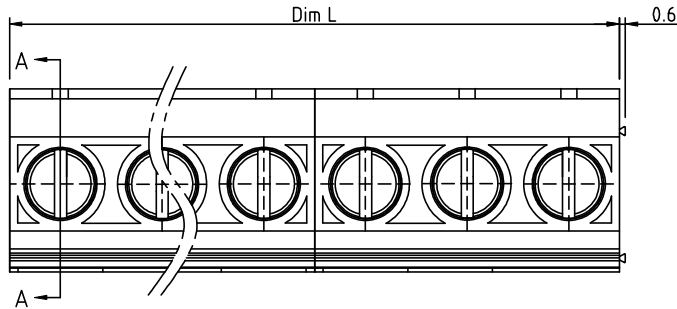
Tel: +86-755-8981 8866 Fax: +86-755-8427 6832

Email & Skype: info@chipsmall.com Web: www.chipsmall.com

Address: A1208, Overseas Decoration Building, #122 Zhenhua RD., Futian, Shenzhen, China



PRODUCT NUMBER	PITCH
VPxx65x700J0G	10.16 mm

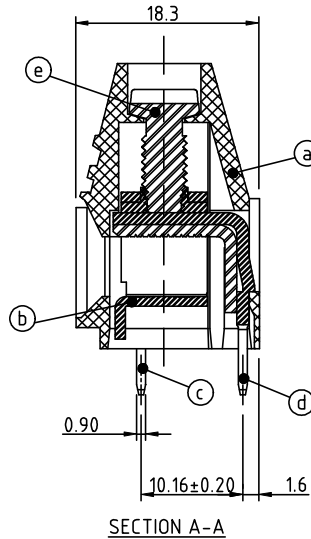


RECOMMENDED P.C.B LAYOUT
TOP VIEW

Material:

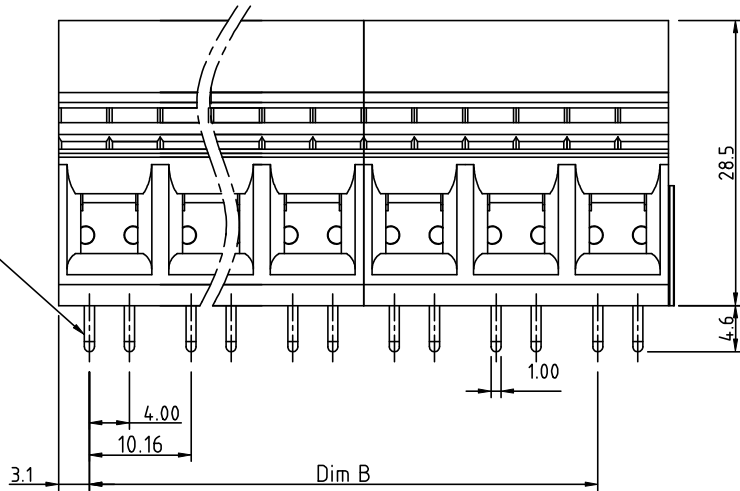
- ItemⒶTerminal housing :Thermoplastic (UL 94V-0)
- ItemⒷClamp : Steel stamping , Zinc plated
- ItemⒸSolder pin1: Copper , Tin plated
- ItemⒹSolder pin2: Copper, Tin plated
- ItemⒺTerminal screw: Steel Zinc plating"-slot type

- Electrical cULus IEC
- Voltage rating : 300V 1000V
 - Current rating : 65A 76A
 - Wire range :
 - Solid wire (AWG) : 6-20 / 16mm²
 - Stranded wire (AWG) : 6-20 / 16mm²
 - Torque : 19 Lb-In / 1.2 N.m
 - Screw : M4.5
 - Wire strip length : 10~11mm
 - Withstanding voltage : 1.6KV / 6KV
 - Operating temperature : -40°C+115°C
 - Soldering temperature : 260°C+5°C/5 Sec
 - Safety Approval : cULus



SECTION A-A

First pole with
Side contacts



PART NO.: VP xx 6 5 x 7 00J0 G

N = Number of poles
Dim L=N×10.16
Dim B=(N-1)×10.16

Poles	Tolerance
2P/4p	±0.15
6P/8p	±0.25
10P/12p	±0.35

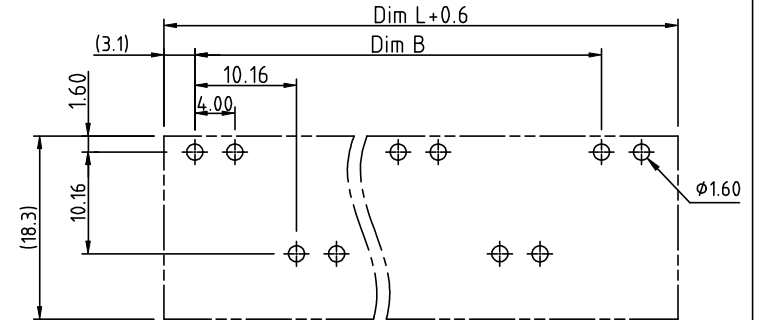
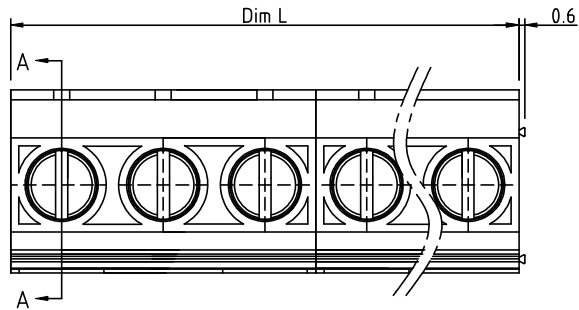
End Stackable
No. of poles
02 2 poles
04 4 poles
... ..
12 12 poles

Body Color
0 Black (RAL9005)
2 Red (RAL3001/D)
3 Orange(RAL2011/P)
4 Yellow(RAL1018/A)
5 Green(RAL6018/T)
6 Blue (RAL5015/A)
8 Grey(RAL7035/D)
9 White(RAL1102)
C Green(RAL6018/U)

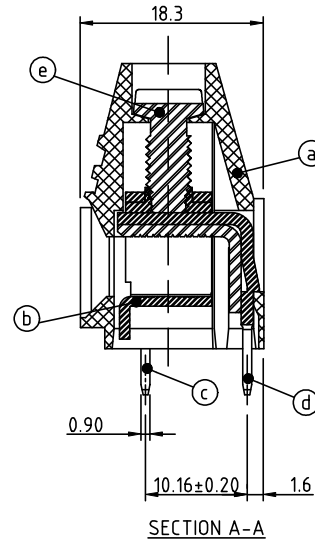
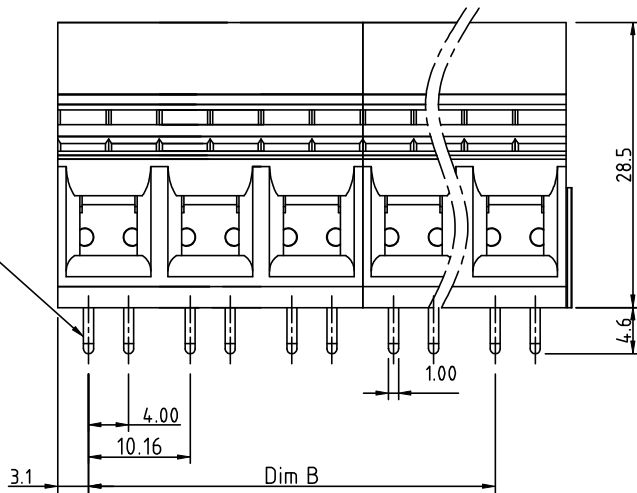
RoHS compliant
(lead<4%)
In copper Alloy

mat'l. code		surface ASME Y14.5	tolerance ASME Y14.5	projection 	product family TERMINAL BLOCK	
ltr	ecn no	dr	date	title TERMINAL BLOCK		
tolerances unless otherwise specified				RISING CLAMP,DOUBLE INTERLACE TAIL TYPE,EVEN POLES		
angles		X.±0.5		scale		
X'±1"		X.X±0.3		MM		
X.XX±0.1		X.XX±0.1		FCI		
dr	EVIN ZHONG	041414		dwg no		sheet 1 of 2 size
enr	EVIN ZHONG	041414		VPxx65x700J0G		A4
chr	HANKE FENG	041414		type		CUSTOMER Drawing
appd	SHI JUN	041414				
sheet index	revision sheet	A	1			

PRODUCT NUMBER	PITCH
VPxx65x700J0G	10.16 mm



RECOMMENDED P.C.B LAYOUT
TOP VIEW



SECTION A-A

Material:

- Item a Terminal housing :Thermoplastic (UL 94V-0)
- Item b Clamp : Steel stamping , Zinc plated
- Item c Solder pin1: Copper , Tin plated
- Item d Solder pin2: Copper , Tin plated
- Item e Terminal screw: Steel Zinc plating"-slot type

- Electrical cULus IEC
- Voltage rating : 300V 1000V
 - Current rating : 65A 76A
 - Wire range :
 - Solid wire (AWG) : 6-20 / 16mm²
 - Stranded wire (AWG) : 6-20 / 16mm²
 - Torque : 19 Lb-In / 1.2 N.m
 - Screw : M4.5
 - Wire strip length : 10~11mm
 - Withstanding voltage : 1.6KV / 6KV
 - Operating temperature : -40°C+115°C
 - Soldering temperature : 260°C+5°C/5 Sec
 - Safety Approval : cULus

PART NO.: VP xx 6 5 x 7 00J0 G

N = Number of poles
Dim L=Nx10.16
Dim B=(N-1)x10.16

Poles	Tolerance
3P	±0.15
5P/7P	±0.25
9P/11P	±0.35

End Stackable	No. of poles	Body Color	RoHS compliant
0	3 poles	Black (RAL9005)	(lead<4%)
2	5 poles	Red (RAL3001/D)	In copper Alloy
3	...	Orange(RAL2011/P)	
4	11 poles	Yellow(RAL1018/A)	
5		Green(RAL6018/T)	
6		Blue (RAL5015/A)	
8		Grey(RAL7035/D)	
9		White(RAL1102)	
C		Green(RAL6018/U)	

mat'l. code		surface ASME Y14.5	tolerance ASME Y14.5	projection	product family TERMINAL BLOCK
ltr	ecn no	dr	date	 MM scale	title TERMINAL BLOCK RISING CLAMP,DOUBLE INTERLACE TAIL TYPE,ODD POLES
tolerances unless otherwise specified					dr EVIN ZHONG 041414 engr EVIN ZHONG 041414 chr HANKE FENG 041414 appd SHI JUN 041414
sheet index		revision sheet	A 2		