



Chipsmall Limited consists of a professional team with an average of over 10 year of expertise in the distribution of electronic components. Based in Hongkong, we have already established firm and mutual-benefit business relationships with customers from,Europe,America and south Asia,supplying obsolete and hard-to-find components to meet their specific needs.

With the principle of “Quality Parts,Customers Priority,Honest Operation,and Considerate Service”,our business mainly focus on the distribution of electronic components. Line cards we deal with include Microchip,ALPS,ROHM,Xilinx,Pulse,ON,Everlight and Freescale. Main products comprise IC,Modules,Potentiometer,IC Socket,Relay,Connector.Our parts cover such applications as commercial,industrial, and automotives areas.

We are looking forward to setting up business relationship with you and hope to provide you with the best service and solution. Let us make a better world for our industry!



## Contact us

Tel: +86-755-8981 8866 Fax: +86-755-8427 6832

Email & Skype: info@chipsmall.com Web: www.chipsmall.com

Address: A1208, Overseas Decoration Building, #122 Zhenhua RD., Futian, Shenzhen, China



# VP-Series

## VP-Series

### CONTURA ILLUMINATED INDICATORS

The Illuminated Indicator is offered with removable/replaceable lamps, Contura styling, and LED illumination. As a critical safety feature, it's illumination alerts the operator of essential system functions or malfunctions like: oil pressure, high temperature, transmission or other fluid levels, parking brake, or general system malfunction. Three different style housings (flush, raised panel, oval) assure seamless integration with Contura switches and into most any dashboard panel.



#### Product Highlights:

- 3 Styles to choose from
- Single or double window Illumination
- 25 lens colors and configurations
- Available connector for easily installation

#### Typical Applications:

- Transportation



**VP 1 6 6 - B 1 1 K K - 00 0 00**

1 Series    2 Termination    3 Lamp    4 Lamp    5 Housing Color    6 Lens Design    7 Lens Design    8 Lens Color    9 Lens Color    10 Legend    11 Legend Orientation    12 Actuator Legend

**1 SERIES**

**VP** Illuminated plug  
**H2 1** Housing only  
**H3 2** Lamp module only  
**HP1-01** VP connector for oval and flush bezel only  
**VC1-01** VP connector for raised bezel only

**2 TERMINATION**

**1** .250 TAB

**3,4 LAMP (same coding for both selections) 4,5,6,8,9,12**

No lamp **0**  
 Neon **1** 125VAC    **2** 250VAC  
 Incandescent **5** 6V    **6** 12V    **7** 18V  
**8** 24V  
 LED\*    Amber    Green    Red  
 2VDC    **L**    **F**    **R**  
 6VDC    **M**    **G**    **S**  
 12VDC    **N**    **H**    **T**  
 24VDC    **P**    **J**    **V**

\*Typical current draw for LED is 20ma.

**5 HOUSING COLOR**

	flush bracket	raised bracket 13	oval bezel (Contura V)
Black	<b>B</b>	<b>6</b>	<b>1</b>
Gray	<b>W</b>	-	<b>2</b>
White	<b>R</b>	<b>5</b>	<b>3</b>
Red	<b>G</b>	-	<b>4</b>

**6,7 SQUARE LENS DESIGN (same coding for both selections) 4,5,6,11,12**

**Z** no lens  
**1** transparent diamond square 10  
**2** translucent square 7  
**3** laser etched 10  
**4** transparent oval  
**5** translucent oval

**8, 9 LENS (same coding for both selections) 3,4,5,6,9**

Z	Clear	White	Amber	Green	Red	Blue	Legend
<b>4</b>	<b>9</b>	<b>E</b>	<b>K</b>	<b>R</b>	<b>W</b>	<b>11</b>	One piece Square/Oval
<b>5</b>	<b>A</b>	<b>F</b>	<b>L</b>	<b>S</b>	<b>Y</b>		Two piece Square* (with clear top protective lens)
<b>2</b>	<b>7</b>	<b>C</b>	<b>H</b>	<b>N</b>	<b>U</b>		Two piece Square* (with smoke top protective lens)
<b>1</b>	<b>6</b>	<b>B</b>	<b>G</b>	<b>M</b>	<b>T</b>		Two piece Square* (with white top protective lens)

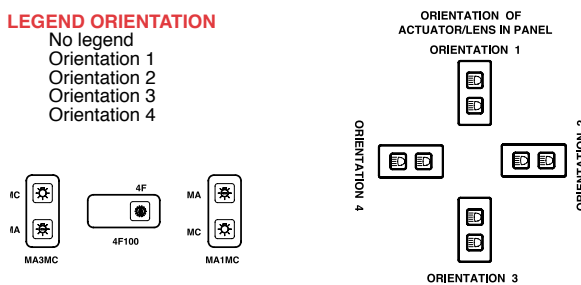
\*All bottom lenses are molded of opaque material. Consult factory for other lens colors.

**10 LAMP #1 LENS OR BODY LEGEND 5**

**00** No legend  
 For legend options, visit us at [carlingtech.com](http://carlingtech.com)

**11 LEGEND ORIENTATION**

**0** No legend  
**1** Orientation 1  
**2** Orientation 2  
**3** Orientation 3  
**4** Orientation 4



**12 LAMP #2 LENS OR BODY LEGEND 5**

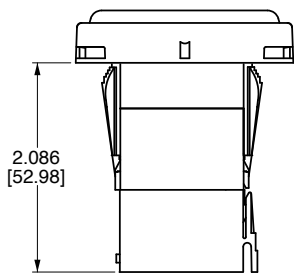
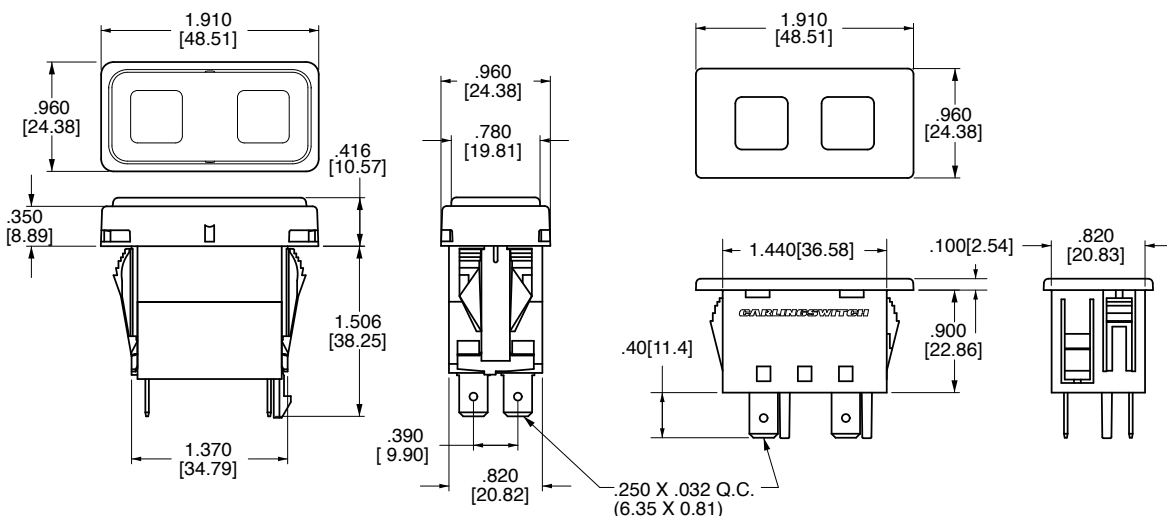
**00** No legend  
 For legend options, visit us at [carlingtech.com](http://carlingtech.com)

**Notes:**

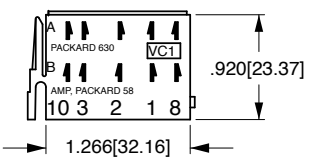
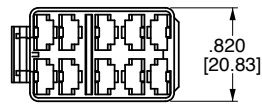
- 1 To order housing with lenses only, specify H2 followed by fields 5-12. (flush bezel only)
- 2 To order lamp module only, specify H3 followed by fields 2-3. (flush bezel only)
- 3 Two piece lens not available with oval bezel.
- 4 If only 1 lamp, specify 0 in selection 4 and Z in selections 7 & 9.
- 5 Lamp and lens #1 located over terminals 1A and 1B for flush & oval bezel.
- 6 Lamp and lens #2 located over terminals 2A and 2B for flush & oval bezel.
- 7 Available with 2 piece lens option only.
- 8 Neon lamps not recommended with blue or green lenses.
- 9 Green or blue lenses not recommended with neon lamps.
- 10 Available with one piece lens option only.
- 11 Oval bezel available with oval lens only. Oval lens available with oval bezel only.
- 12 Lamp & lens #1 located over terminals 7 & 8, & #2 located over 9 & 10 for raised bezel option.
- 13 Both bracket and insert will be same color. For white bracket with black insert, specify 7. For black bracket with white insert, specify 8.

\*Manufacturer reserves the right to change product specification without prior notice.

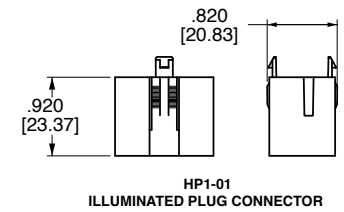
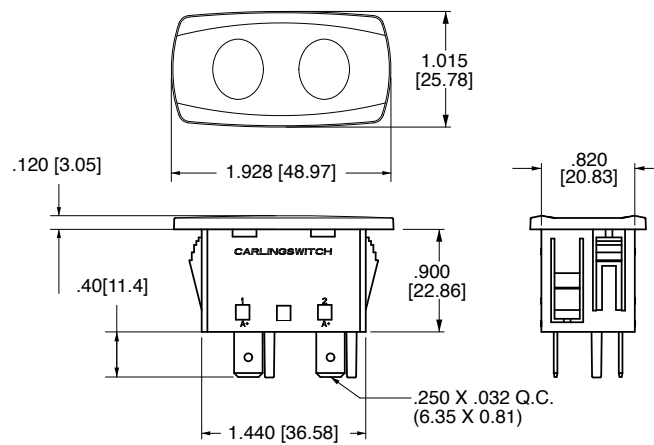
**Dimensional Specifications: in. [mm]**



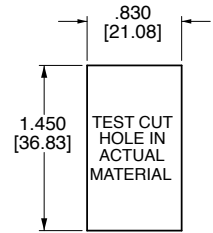
PLUG SHOWN WITH VC1 CONNECTOR



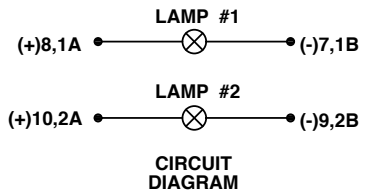
MARKING DETAIL FRONT VIEW  
**VC1 CONNECTOR HOUSING**



**HP1-01 ILLUMINATED PLUG CONNECTOR**



**ILLUMINATED PLUG MOUNTING HOLE (OVAL, FLUSH AND RAISED BEZELS)**



**CIRCUIT DIAGRAM**

**(OVAL, FLUSH AND RAISED BEZELS) MOUNTING PANEL THICKNESSES:**

.062 [1.57]	.250 [6.35]
.093 [2.36]	.375 [9.52]
.125 [3.17]	.500 [12.70]
.187 [4.75]	

Notes:  
Oval and flush bezel styles use terminals 1A, 1B, 2A, 2B. Raised bezel style uses terminals 7, 8, 9, 10.



## Authorized Sales Representatives and Distributors

Click on a region of the map below to find your local representatives and distributors or visit [www.carlingtech.com/findarep](http://www.carlingtech.com/findarep).



## About Carling

Founded in 1920, Carling Technologies is a leading manufacturer of electrical and electronic switches and assemblies, circuit breakers, electronic controls, power distribution units, and multiplexed power distribution systems. With four ISO registered manufacturing facilities and technical sales offices worldwide, Carling Technologies Sales, Service and Engineering teams do much more than manufacture electrical components, they engineer powerful solutions! To learn more about Carling please visit [www.carlingtech.com/company-profile](http://www.carlingtech.com/company-profile).

To view all of Carling's environmental, quality, health & safety certifications please visit [www.carlingtech.com/environmental-certifications](http://www.carlingtech.com/environmental-certifications)

## **Worldwide Headquarters**

Carling Technologies, Inc.  
60 Johnson Avenue, Plainville, CT 06062  
**Phone:** 860.793.9281 **Fax:** 860.793.9231  
**Email:** sales@carlingtech.com

**Northern Region Sales Office:** nrsm@carlingtech.com  
**Southeast Region Sales Office:** sersm@carlingtech.com  
**Midwest Region Sales Office:** mrsm@carlingtech.com  
**West Region Sales Office:** wrsm@carlingtech.com  
**Latin America Sales Office:** larsm@carlingtech.com

## **Asia-Pacific Headquarters**

Carling Technologies, Asia-Pacific Ltd.,  
Suite 1607, 16/F Tower 2, The Gateway,  
Harbour City, 25 Canton Road,  
Tsimshatsui, Kowloon, Hong Kong  
**Phone:** Int + 852-2737-2277 **Fax:** Int + 852-2736-9332  
**Email:** sales@carlingtech.com.hk

**Shenzhen, China:** shenzhen@carlingtech.com  
**Shanghai, China:** shanghai@carlingtech.com  
**Pune, India:** india@carlingtech.com  
**Kaohsiung, Taiwan:** taiwan@carlingtech.com  
**Yokohama, Japan:** japan@carlingtech.com

## **Europe | Middle East | Africa Headquarters**

Carling Technologies LTD  
4 Airport Business Park, Exeter Airport,  
Clyst Honiton, Exeter, Devon, EX5 2UL, UK  
**Phone:** Int + 44 1392.364422 **Fax:** Int + 44 1392.364477  
**Email:** ltd.sales@carlingtech.com

**Germany:** gmbh@carlingtech.com  
**France:** sas@carlingtech.com



**Carling Technologies®**

Innovative Designs. Powerful Solutions.