



Chipsmall Limited consists of a professional team with an average of over 10 year of expertise in the distribution of electronic components. Based in Hongkong, we have already established firm and mutual-benefit business relationships with customers from,Europe,America and south Asia,supplying obsolete and hard-to-find components to meet their specific needs.

With the principle of “Quality Parts,Customers Priority,Honest Operation,and Considerate Service”,our business mainly focus on the distribution of electronic components. Line cards we deal with include Microchip,ALPS,ROHM,Xilinx,Pulse,ON,Everlight and Freescale. Main products comprise IC,Modules,Potentiometer,IC Socket,Relay,Connector.Our parts cover such applications as commercial,industrial, and automotives areas.

We are looking forward to setting up business relationship with you and hope to provide you with the best service and solution. Let us make a better world for our industry!



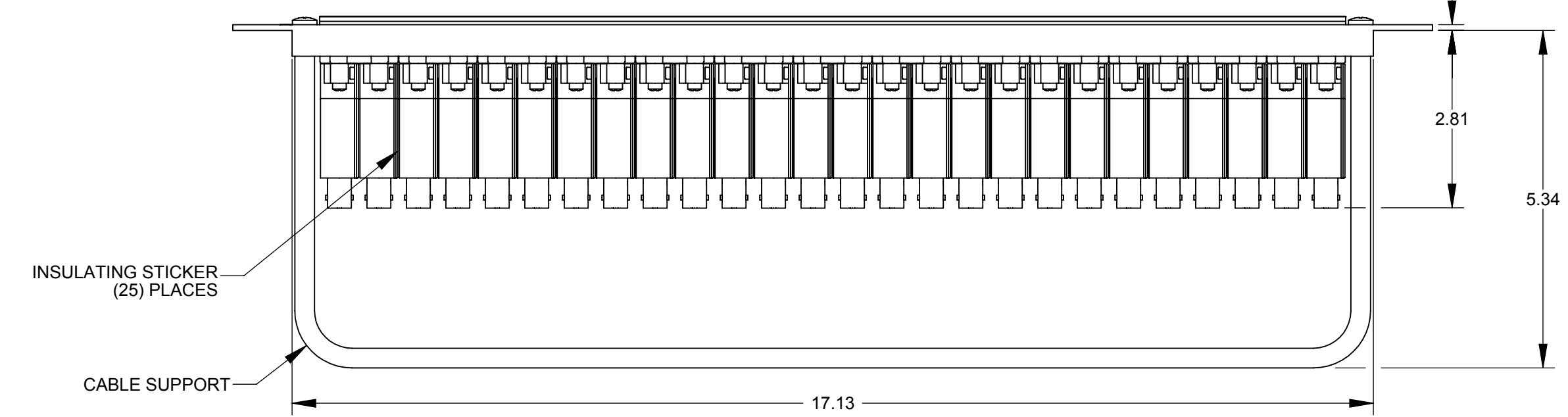
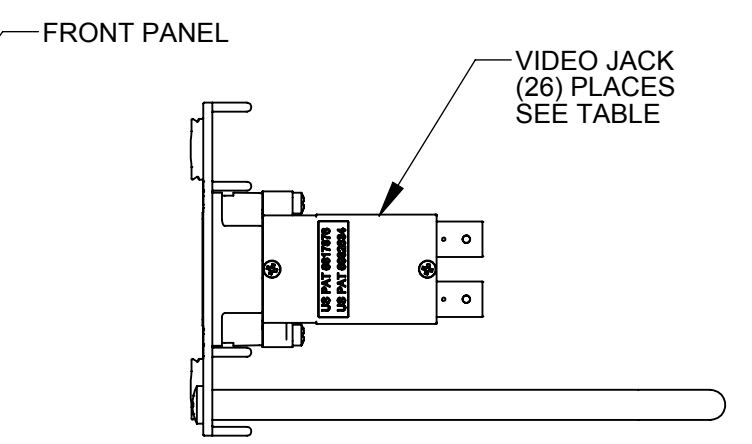
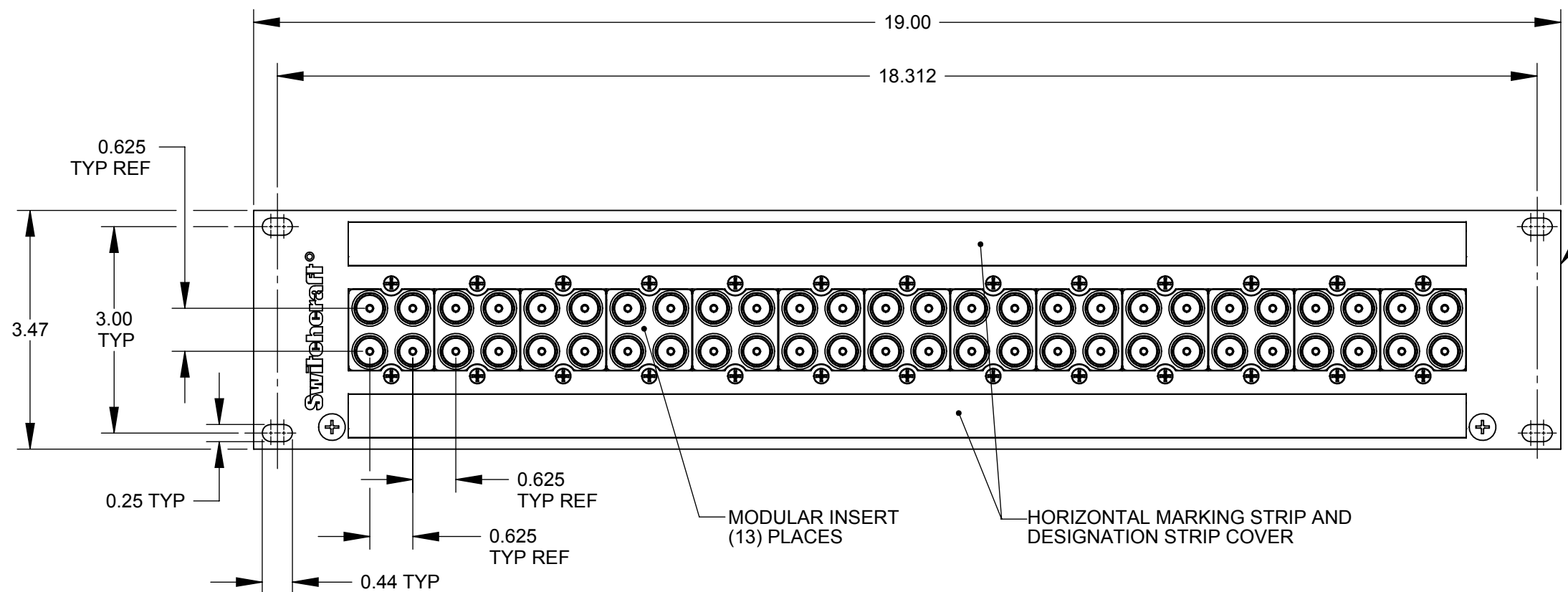
Contact us

Tel: +86-755-8981 8866 Fax: +86-755-8427 6832

Email & Skype: info@chipsmall.com Web: www.chipsmall.com

Address: A1208, Overseas Decoration Building, #122 Zhenhua RD., Futian, Shenzhen, China





PART NUMBER	VIDEO JACK
VPP26K3HD75TX	VJHD75TZ
VPP26K3HDNTX	VJHDNTZ
VPP26K3HDN75TX	VJHDN75TZ
VPP26K3HDNNTX	VJHDNNTZ

CUSTOMER DRAWING

- NOTES:
- MATERIALS:
 FRONT PANEL - ALUMINUM, BLACK ANODIZE
 MODULAR INSERTS - THERMOPLASTIC, BLACK
 VIDEO JACKS - ZINC, NICKEL PLATED
 HORIZONTAL MARKING STRIP - THERMOPLASTIC, WHITE
 DESIGNATION STRIP COVER - THERMOPLASTIC, CLEAR
 CABLE SUPPORT - STEEL, BLACK EPOXY
 SCREWS - STEEL, ZINC OR NICKEL PLATED
 INSULATING STICKER - THERMOPLASTIC
 - SUPPLIED WITH (4) #12-24 MOUNTING SCREWS.
 - THIS PRODUCT IS RoHS COMPLIANT.

REV	ECO NUMBER	DATE	BY	APVD
B	25996	12/9/08	RS	TJK
A	25889	7/9/08	RS	TJK
REVISIONS				

UNLESS OTHERWISE SPECIFIED

1. ALL DIMENSIONS IN INCHES
 - TWO PLACE DECIMALS ±0.02
 - THREE PLACE DECIMALS ±0.005

DO NOT SCALE DRAWING

THIS DRAWING DESCRIBES A DESIGN CONSIDERED PROPRIETARY IN NATURE, DEVELOPED AND MANUFACTURED BY SWITCHCRAFT INC. AND IS RELEASED ON A CONFIDENTIAL BASIS FOR IDENTIFICATION PURPOSES ONLY.									
SIZE	WIDTH	MULT	LBS/M	TEMPER					
FINISH					MATERIAL				
SPEC No.					SPEC No.				
FIRST USED ON				SCALE					
				1:2					
DATE DRAWN	BY	CHKD	APVD						
6/2/08	AH	AH	BDS						
			6/2/08			6/2/08			
NAME				VIDEO JACK			PART No.		
				PATCHBAY, RoHS			VPP26K3HD_X SERIES		
							REV		
							B		