



Chipsmall Limited consists of a professional team with an average of over 10 year of expertise in the distribution of electronic components. Based in Hongkong, we have already established firm and mutual-benefit business relationships with customers from,Europe,America and south Asia,supplying obsolete and hard-to-find components to meet their specific needs.

With the principle of “Quality Parts,Customers Priority,Honest Operation,and Considerate Service”,our business mainly focus on the distribution of electronic components. Line cards we deal with include Microchip,ALPS,ROHM,Xilinx,Pulse,ON,Everlight and Freescale. Main products comprise IC,Modules,Potentiometer,IC Socket,Relay,Connector.Our parts cover such applications as commercial,industrial, and automotives areas.

We are looking forward to setting up business relationship with you and hope to provide you with the best service and solution. Let us make a better world for our industry!



## Contact us

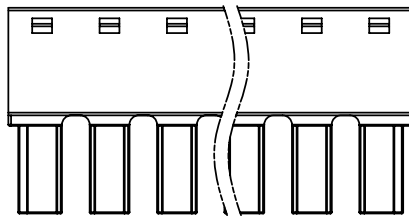
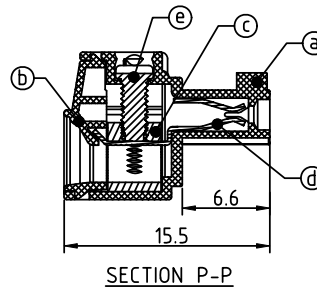
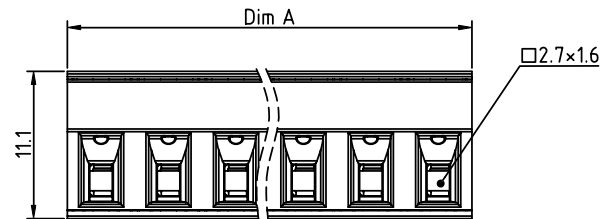
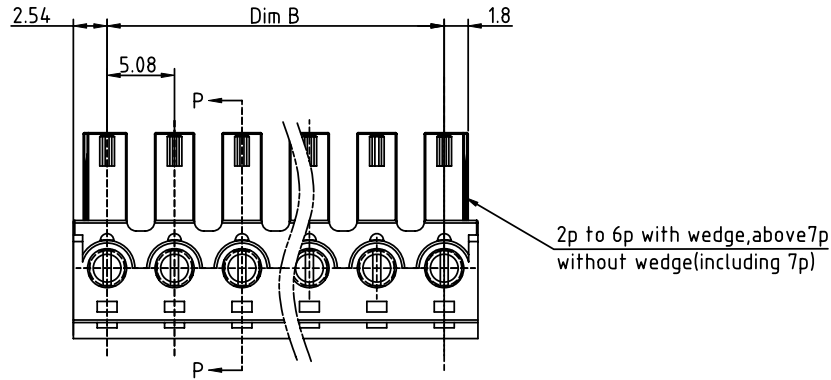
Tel: +86-755-8981 8866 Fax: +86-755-8427 6832

Email & Skype: info@chipsmall.com Web: www.chipsmall.com

Address: A1208, Overseas Decoration Building, #122 Zhenhua RD., Futian, Shenzhen, China



PRODUCT NUMBER	PITCH
VRxx51x100J0G	5.08 mm



Material

- Item (a) Terminal body: Thermoplastic (UL94V-0)
- Item (b) Terminal cover: Thermoplastic (UL94V-0)
- Item (c) Clamp: Brass, Ni plated
- Item (d) Female contact: PhBz, Tin plated
- Item (e) Terminal screw: Steel Cr3+ Zinc plating "-" slot type

Electrical cULus

- Voltage rating: 300VAC
- Current rating: 10A
- Wire range:
- Solid wire (AWG): 14-30
- Stranded wire (AWG): 14-30
- Torque (Lb-In): 2
- Screw: M2
- Wire strip length: 7-8mm
- Withstanding Voltage: 1.6KV
- Operating temperature: -40°C to +115°C
- Safety Approval:

Dimension

Dim A	Nx5.08
Dim B	(N-1)x5.08

N=Number of poles

Poles	Tolerance
2p-8p	±0.15
9p-15p	±0.25
16p-23p	±0.30

PART NO.: VR xx 51 x 1 00J0 G

Solid block	No. of poles	Color	RoHS compliant (lead<4% in copper Alloy)
0	2	Black (RAL9005)	
2	3	Red (RAL3001/D)	
02	3	Orange (RAL2011/P)	
03	3	Yellow (RAL1018/A)	
...	...	5 Green (RAL6018/T)	
24	24	6 Blue (RAL5015/A)	
		9 Grey (RAL7035/D)	
		8 White (RAL1102)	
		C Green (RAL6018/U)	

mat'l. code				surface ASME Y14.5 ✓	tolerance ASME Y14.5	projection 	product family TERMINAL BLOCK	
ltr	ecn	no	dr	tolerances unless otherwise specified		MM 	title TERMINAL BLOCK PLUGGABLE PLUG, CONTACT ON UP SIDE WITHOUT FLANGE	
				angles 	X.±0.5		scale	sheet 1 of 1 size
				X'±1"	X.XX±0.3			VRxx51x100J0G
				dr	EVIN ZHONG	041814	FCI 	type CUSTOMER Drawing
				enr	EVIN ZHONG	041814		
				chr	HANKE FENG	041814		
				appd	SHI JUN	041814		
sheet index	revision sheet	A	1					