



Chipsmall Limited consists of a professional team with an average of over 10 year of expertise in the distribution of electronic components. Based in Hongkong, we have already established firm and mutual-benefit business relationships with customers from,Europe,America and south Asia,supplying obsolete and hard-to-find components to meet their specific needs.

With the principle of “Quality Parts,Customers Priority,Honest Operation,and Considerate Service”,our business mainly focus on the distribution of electronic components. Line cards we deal with include Microchip,ALPS,ROHM,Xilinx,Pulse,ON,Everlight and Freescale. Main products comprise IC,Modules,Potentiometer,IC Socket,Relay,Connector.Our parts cover such applications as commercial,industrial, and automotives areas.

We are looking forward to setting up business relationship with you and hope to provide you with the best service and solution. Let us make a better world for our industry!



Contact us

Tel: +86-755-8981 8866 Fax: +86-755-8427 6832

Email & Skype: info@chipsmall.com Web: www.chipsmall.com

Address: A1208, Overseas Decoration Building, #122 Zhenhua RD., Futian, Shenzhen, China



Precision Voltage Reference

FEATURES

- ◆ Very High Accuracy: +10 V Output, ± 0.5 mV
- ◆ Extremely Low Drift: 1.11 ppm/°C (-55°C to +125°C)
- ◆ Low Warm-up Drift: 1 ppm Typical
- ◆ Excellent Stability: 6 ppm/1000 Hrs. Typical
- ◆ Excellent Line Regulation: 3 ppm/V Typical
- ◆ Hermetic 20-terminal Ceramic LCC Package
- ◆ Military Processing Option

APPLICATIONS

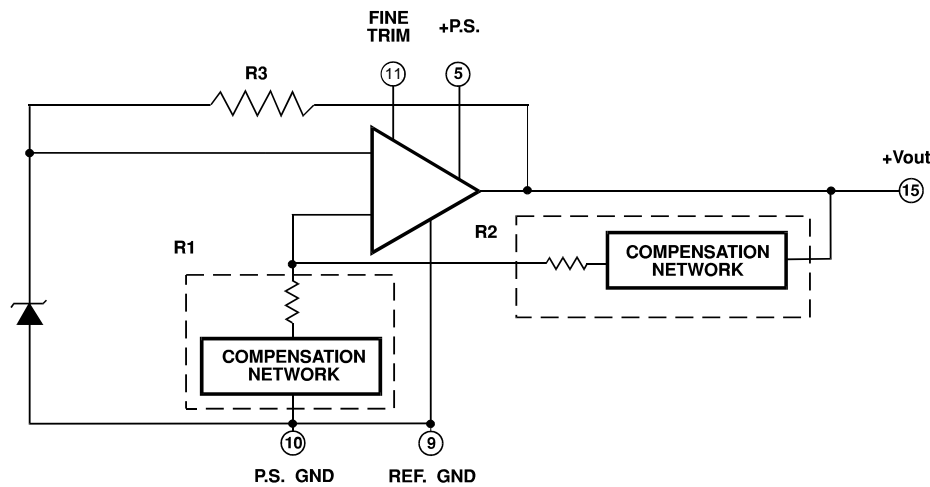
- ◆ Precision A/D and D/A Converters
- ◆ Transducer Excitation
- ◆ Accurate Comparator Threshold Reference
- ◆ High Resolution Servo Systems
- ◆ Digital Voltmeters
- ◆ High Precision Test and Measurement Instruments

DESCRIPTION

VRE210 Series Precision Voltage References provide ultrastable +10 V outputs with ± 0.5 mV initial accuracy and temperature coefficient as low as 1.11 ppm/°C over the full military temperature range. This improvement in accuracy is made possible by a unique, proprietary multipoint laser compensation technique. Significant improvements have been made in other performance parameters as well, including initial accuracy, warm-up drift, line regulation, and long term stability, making the VRE210 series the most accurate and stable 10 V surface mount references available.

VRE210 devices are available in two operating temperature ranges, -25°C to +85°C and -55°C to +125°C, and two electrical performance grades. All devices are packaged in 20-terminal ceramic LCC packages for maximum long-term stability. "M" versions are screened for high reliability and quality.

Figure 1. BLOCK DIAGRAM



SELECTION GUIDE

Model	Output (V)	Temperature Operating Range	Volt Deviation (Max)
VRE210C	+10	-25°C to +85°C	± 0.8 mV
VRE210CA	+10	-25°C to +85°C	± 0.6 mV
VRE210M	+10	-55°C to +125°C	± 1.2 mV
VRE210MA	+10	-55°C to +125°C	± 1.0 mV



20-terminal Ceramic LCC Package Style HD

1. CHARACTERISTICS AND SPECIFICATIONS

ELECTRICAL SPECIFICATIONS

$V_{PS} = +15V$, $T = +25^{\circ}C$, $R_L = 10K\Omega$ Unless Otherwise Noted.

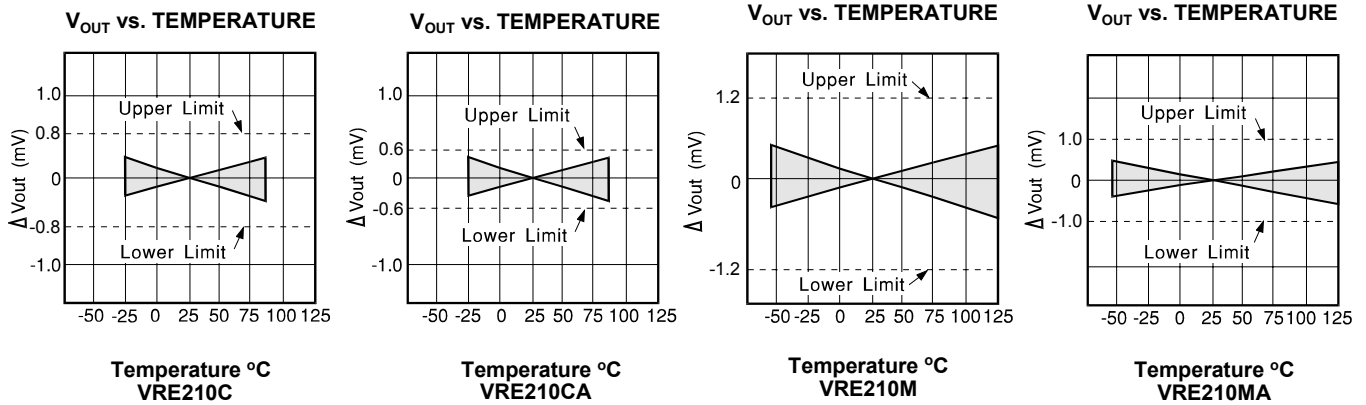
Model	VRE210C			VRE210CA			VRE210M			VRE210MA			Units
Parameter	Min	Typ	Max	Min	Typ	Max	Min	Typ	Max	Min	Typ	Max	Units
ABSOLUTE MAXIMUM RATINGS													
Power Supply	+13.5		+22	*		*	*		*	*		*	V
Operating Temperature	-25		+85	*		*	-55		+125	-55		+125	°C
Storage Temperature	-65		+150	*		*	*		*	*		*	°C
Short Circuit Protection	Continuous			*			*			*			
OUTPUT VOLTAGE													
VRE210		+10		*			*			*			V
OUTPUT VOLTAGE ERRORS													
Initial Error			±700			±500			±1000			±800	µV
Warmup Drift		2			1			2			1		ppm
$T_{MIN} - T_{MAX}$ (Note1)			800			600			1200			1000	µV
Long-Term Stability		6		*			*			*			ppm/1000hrs
Noise (0.1 - 10Hz)		6		*			*			*			µVpp
OUTPUT CURRENT													
Range	±10			*			*			*			mA
REGULATION													
Line		3	10		*	*		*	*		*	*	ppm/V
Load		3			*			*			*		ppm/mA
OUTPUT ADJUSTMENT													
Range		20			*			*			*		mV
Temperature Coefficient		4			*			*			*		mV/°C/mV
POWER SUPPLY CURRENT (Note 2)													
VRE210 +PS		5	7		*	*		*	*		*	*	mA

NOTES:

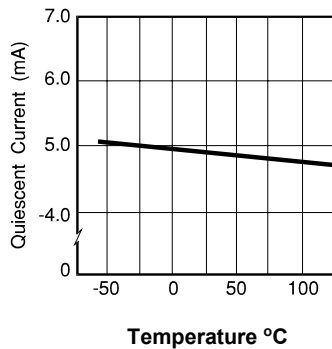
* Same as C Models.

- Using the box method, the specified value is the maximum deviation from the output voltage at 25°C over the specified operating temperature range.
- The specified values are unloaded.

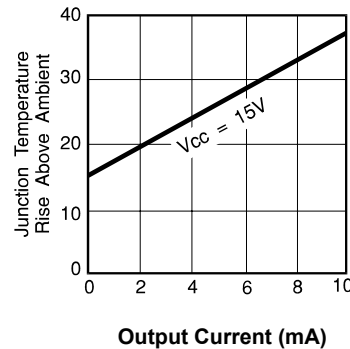
2. TYPICAL PERFORMANCE CURVES



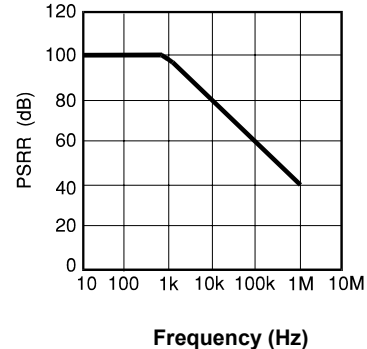
QUIESCENT CURRENT VS. TEMP



JUNCTION TEMP. RISE VS. OUTPUT CURRENT



PSRR vs. FREQUENCY



3. THEORY OF OPERATION

The following discussion refers to the block diagram in Figure 1. In operation, approximately 6.3 volts is applied to the noninverting input of the op amp. The voltage is amplified by the op amp to produce a 10 V output. The gain is determined by the networks R1 and R2: $G=1 + R2/R1$. The 6.3V zener diode is used because it is the most stable diode over time and temperature.

The zener operating current is derived from the regulated output voltage through R3. This feedback arrangement provides a closely regulated zener current. This current determines the slope of the references' voltage vs. temperature function. By trimming the zener current a lower drift over temperature can be achieved. But since the voltage vs. temperature function is nonlinear this compensation technique is not well suited for wide temperature ranges.

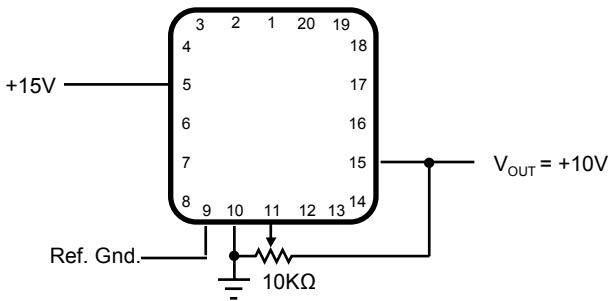
A nonlinear compensation network of thermistors and resistors that is used in the VRE series voltage references. This proprietary network eliminates most of the nonlinearity in the voltage vs. temperature function. By then adjusting the slope, Thaler Corporation produces a very stable voltage over wide temperature ranges. This network is less than 2% of the overall network resistance so it has a negligible effect on long term stability. By using highly stable resistors in our network, we produce a voltage reference that also has very good long term stability.

4. APPLICATION INFORMATION

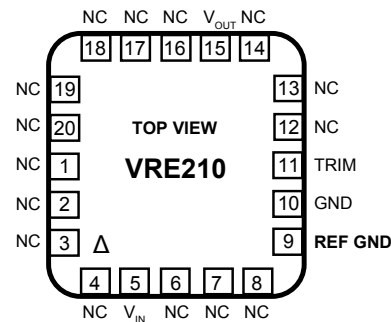
The proper connection of the VRE210 series voltage references with the optional trim resistor is shown below. Pay careful attention to the circuit layout to avoid noise pickup and voltage drops in the lines.

The VRE210 series voltage references have the ground terminal brought out on two pins (pin 9 and pin 10) which are connected together internally. This allows the user to achieve greater accuracy when using a socket. Voltage references have a voltage drop across their power supply ground pin due to quiescent current flowing through the contact resistance. If the contact resistance was constant with time and temperature, this voltage drop could be trimmed out. When the reference is plugged into a socket, this source of error can be as high as 20 ppm. By connecting pin 10 to the power supply ground and pin 9 to a high impedance ground point in the measurement circuit, the error due to the contact resistance can be eliminated. If the unit is soldered into place, the contact resistance is sufficiently small that it does not effect performance.

EXTERNAL CONNECTIONS



PIN CONFIGURATION



CONTACTING CIRRUS LOGIC SUPPORT

For all Apex Precision Power product questions and inquiries, call toll free 800-546-2739 in North America.

For inquiries via email, please contact apex.support@cirrus.com.

International customers can also request support by contacting their local Cirrus Logic Sales Representative.

To find the one nearest to you, go to www.cirrus.com

IMPORTANT NOTICE

Cirrus Logic, Inc. and its subsidiaries ("Cirrus") believe that the information contained in this document is accurate and reliable. However, the information is subject to change without notice and is provided "AS IS" without warranty of any kind (express or implied). Customers are advised to obtain the latest version of relevant information to verify, before placing orders, that information being relied on is current and complete. All products are sold subject to the terms and conditions of sale supplied at the time of order acknowledgment, including those pertaining to warranty, indemnification, and limitation of liability. No responsibility is assumed by Cirrus for the use of this information, including use of this information as the basis for manufacture or sale of any items, or for infringement of patents or other rights of third parties. This document is the property of Cirrus and by furnishing this information, Cirrus grants no license, express or implied under any patents, mask work rights, copyrights, trademarks, trade secrets or other intellectual property rights. Cirrus owns the copyrights associated with the information contained herein and gives consent for copies to be made of the information only for use within your organization with respect to Cirrus integrated circuits or other products of Cirrus. This consent does not extend to other copying such as copying for general distribution, advertising or promotional purposes, or for creating any work for resale.

CERTAIN APPLICATIONS USING SEMICONDUCTOR PRODUCTS MAY INVOLVE POTENTIAL RISKS OF DEATH, PERSONAL INJURY, OR SEVERE PROPERTY OR ENVIRONMENTAL DAMAGE ("CRITICAL APPLICATIONS"). CIRRUS PRODUCTS ARE NOT DESIGNED, AUTHORIZED OR WARRANTED TO BE SUITABLE FOR USE IN PRODUCTS SURGICALLY IMPLANTED INTO THE BODY, AUTOMOTIVE SAFETY OR SECURITY DEVICES, LIFE SUPPORT PRODUCTS OR OTHER CRITICAL APPLICATIONS. INCLUSION OF CIRRUS PRODUCTS IN SUCH APPLICATIONS IS UNDERSTOOD TO BE FULLY AT THE CUSTOMER'S RISK AND CIRRUS DISCLAIMS AND MAKES NO WARRANTY, EXPRESS, STATUTORY OR IMPLIED, INCLUDING THE IMPLIED WARRANTIES OF MERCHANTABILITY AND FITNESS FOR PARTICULAR PURPOSE, WITH REGARD TO ANY CIRRUS PRODUCT THAT IS USED IN SUCH A MANNER. IF THE CUSTOMER OR CUSTOMER'S CUSTOMER USES OR PERMITS THE USE OF CIRRUS PRODUCTS IN CRITICAL APPLICATIONS, CUSTOMER AGREES, BY SUCH USE, TO FULLY INDEMNIFY CIRRUS, ITS OFFICERS, DIRECTORS, EMPLOYEES, DISTRIBUTORS AND OTHER AGENTS FROM ANY AND ALL LIABILITY, INCLUDING ATTORNEYS' FEES AND COSTS, THAT MAY RESULT FROM OR ARISE IN CONNECTION WITH THESE USES.

Cirrus Logic, Cirrus, and the Cirrus Logic logo designs, Apex Precision Power, Apex and the Apex Precision Power logo designs are trademarks of Cirrus Logic, Inc. All other brand and product names in this document may be trademarks or service marks of their respective owners.