



Chipsmall Limited consists of a professional team with an average of over 10 year of expertise in the distribution of electronic components. Based in Hongkong, we have already established firm and mutual-benefit business relationships with customers from,Europe,America and south Asia,supplying obsolete and hard-to-find components to meet their specific needs.

With the principle of "Quality Parts,Customers Priority,Honest Operation,and Considerate Service",our business mainly focus on the distribution of electronic components. Line cards we deal with include Microchip,ALPS,ROHM,Xilinx,Pulse,ON,Everlight and Freescale. Main products comprise IC,Modules,Potentiometer,IC Socket,Relay,Connector.Our parts cover such applications as commercial,industrial, and automotives areas.

We are looking forward to setting up business relationship with you and hope to provide you with the best service and solution. Let us make a better world for our industry!



Contact us

Tel: +86-755-8981 8866 Fax: +86-755-8427 6832

Email & Skype: info@chipsmall.com Web: www.chipsmall.com

Address: A1208, Overseas Decoration Building, #122 Zhenhua RD., Futian, Shenzhen, China



A1G280 Series

Axial

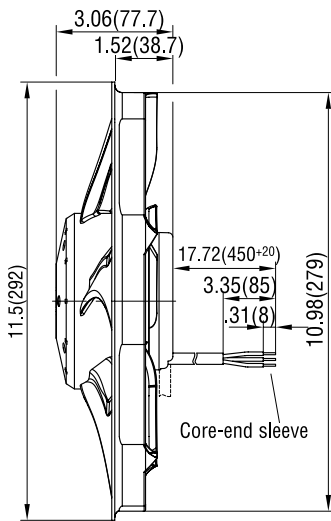


Ø 280mm

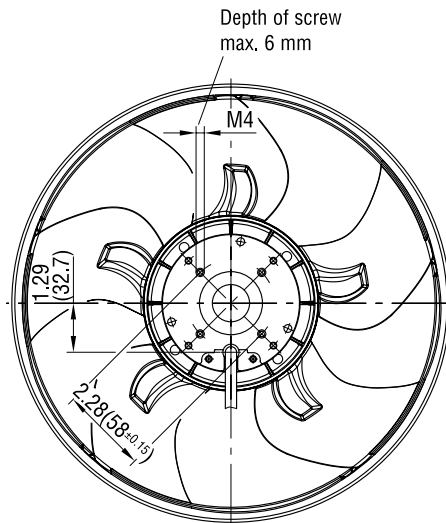
- Material: impeller made of plastic PA/SPS, color black
- Bearings: Maintenance-free ball bearings
- Cable exit: variable
- Technical features: control input 0-10 VDC / PWM, tach output
- Mounting position / condensate discharges: norm is rotor down with condensate discharges
- Motor protection: reverse battery and locked-rotor protection
- Insulation class: "B" according to EN 60335-1
- Direction of air flow: "V"
- Direction of rotation: clockwise as seen on rotor side

Part Number	Curve	CFM @ D	VDC	Volt. Range	Power (W)	dBA	Max. Amb. Temp. C	Bearing Type	Speed (RPM)	Wgt. (lbs)
A1G280-AA79-11 ⁽¹⁾	1	1065	13.2	8-16	90	63	60	Ball	2350	3.53

⁽¹⁾12-V variant subject to alterations



"V" >



Pin configuration
 UB red
 Lin/PW yellow
 GND blue

	n [RPM]	P _i [W]	L _{pA} [dBA]
① ①	2350	90	63
① ②	2330	89	63
① ③	2360	88	67
① ④	2340	90	69

Curve

