



Chipsmall Limited consists of a professional team with an average of over 10 year of expertise in the distribution of electronic components. Based in Hongkong, we have already established firm and mutual-benefit business relationships with customers from,Europe,America and south Asia,supplying obsolete and hard-to-find components to meet their specific needs.

With the principle of "Quality Parts,Customers Priority,Honest Operation,and Considerate Service",our business mainly focus on the distribution of electronic components. Line cards we deal with include Microchip,ALPS,ROHM,Xilinx,Pulse,ON,Everlight and Freescale. Main products comprise IC,Modules,Potentiometer,IC Socket,Relay,Connector.Our parts cover such applications as commercial,industrial, and automotives areas.

We are looking forward to setting up business relationship with you and hope to provide you with the best service and solution. Let us make a better world for our industry!



Contact us

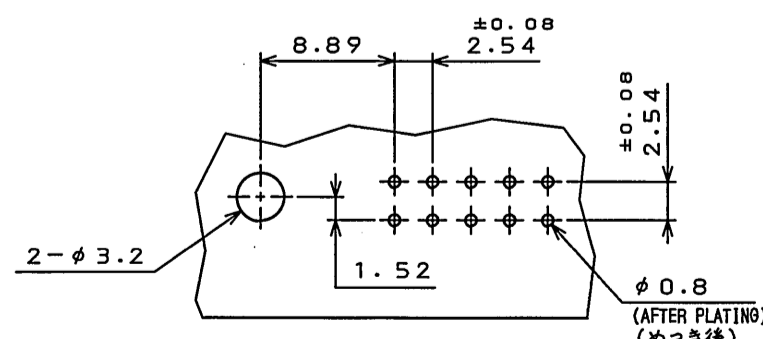
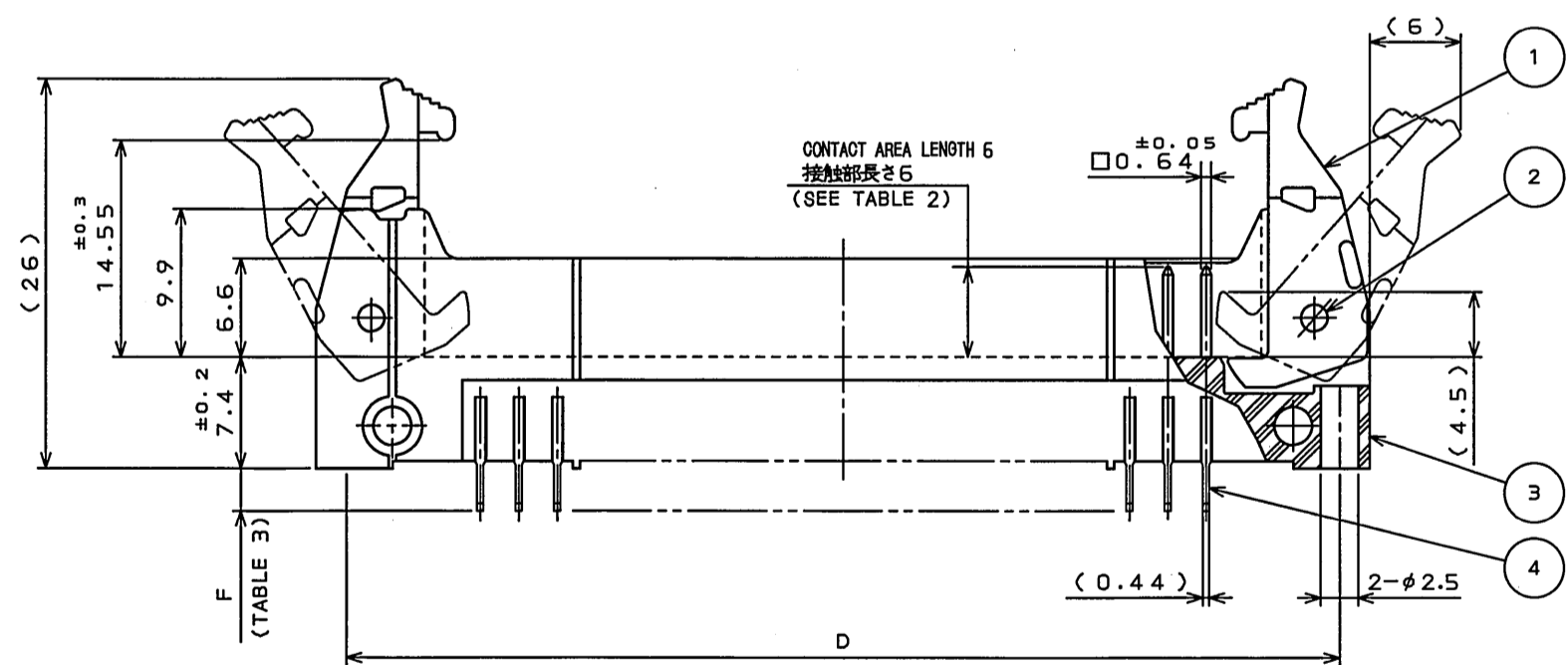
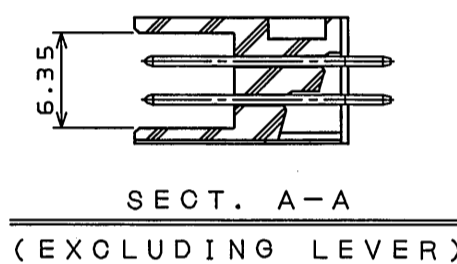
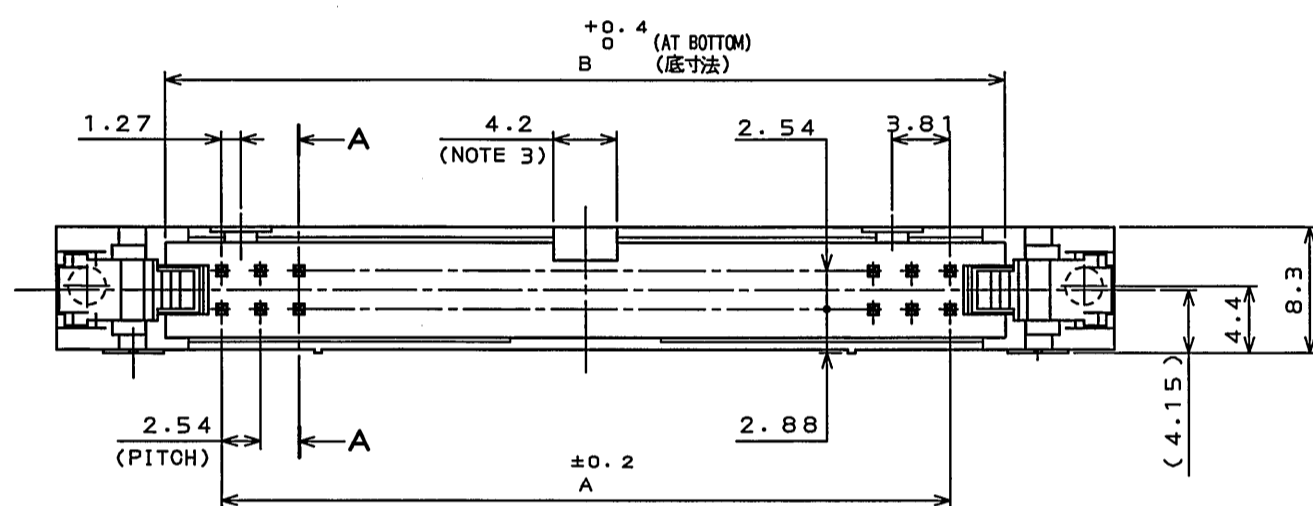
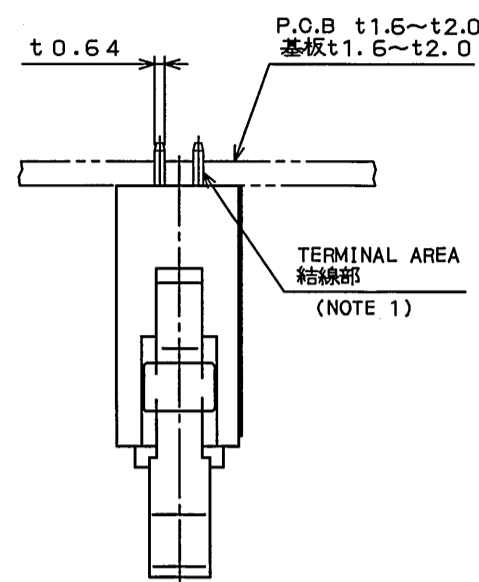
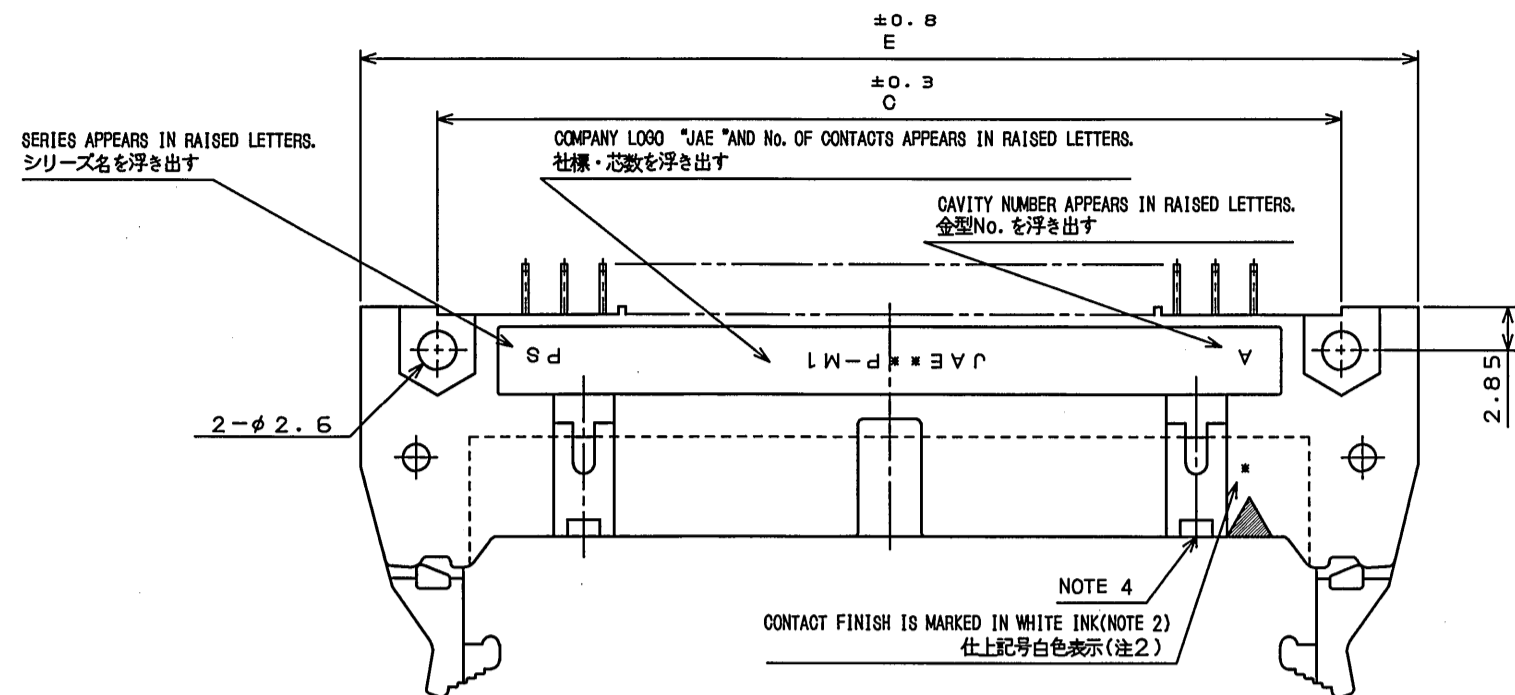
Tel: +86-755-8981 8866 Fax: +86-755-8427 6832

Email & Skype: info@chipsmall.com Web: www.chipsmall.com

Address: A1208, Overseas Decoration Building, #122 Zhenhua RD., Futian, Shenzhen, China



REV.	DATE	DCN NO.	DESCRIPTION	DR.	CHK.	APPD.	APPD.
2	28.Oct.2010	070905	REVISED POST MATERIAL	M.SAITOU	N.UCHIYAMA		y.miyasawa



P.C.B. HOLE PATTERNS (REF.)
基板取付穴寸法(参考)

DESIGNATION
命名法

PS-***PE-D4T*-M*E
 (LEAD FREE)TIN/TIN ALLOY
 錫又は錫合金(無鉛)
 FINISH(SEE TABLE 2)
 仕上(表2参照)
 PIN HEADER WITH LATCH(WITH POLARIZING KEY)
 ロック付ピンヘッダ(極性キイ付)
 TERMINAL AREA LENGTH(SEE TABLE 3)
 結線部長さ(表3参照)
 THROUGH HOLE(TERMINATION)
 スルーホール(ターミネーション)
 DOUBLE ROW 2.54mm SPACE
 2列2.54ピッチ
 CONTACT AREA LENGTH
 接触部長さ
 PIN SIDE
 ピン側
 No. OF CONTACTS(SEE TABLE 1)
 芯数(表1参照)
 SERIES
 シリーズ名

TABLE 1 PART No. OF CONTACTS AND DIMENSIONS
表1 名称、芯数及び寸法A、B、C、D、E

PART No. 名称	No. OF CONTACTS 芯数	A	B	C	D	E
PS-10PE-D4T*-M*E	10	10.16	17.53	21.84	27.94	32
PS-16PE-D4T*-M*E	16	17.78	25.15	29.46	35.56	39.6
PS-20PE-D4T*-M*E	20	22.86	30.23	34.54	40.64	44.7
PS-26PE-D4T*-M*E	26	30.48	37.85	42.16	48.26	52.3
PS-30PE-D4T*-M*E	30	35.56	42.93	47.24	53.34	57.4
PS-34PE-D4T*-M*E	34	40.64	48.01	52.32	58.42	62.5
PS-40PE-D4T*-M*E	40	48.26	55.63	59.94	66.04	70.1
PS-50PE-D4T*-M*E	50	60.96	68.33	72.64	78.74	82.8
PS-60PE-D4T*-M*E	60	73.66	81.03	85.34	91.44	95.5

TABLE 2 CONTACT FINISH
表2 仕上

* CONTACT AREA 接触部	1 GOLD(0.1μm MIN.) OVER NICKEL NILEAO. 1μm以上	2 GOLD(0.3μm MIN.) OVER NICKEL NILEAO. 3μm以上	3 GOLD(0.76μm MIN.) OVER NICKEL NILEAO. 76μm以上
FINISH 仕上	(LEAD FREE)TIN/TIN ALLOY OVER NICKEL NILEAO. 無鉛又は錫合金(無鉛)		

TABLE 3 TERMINAL LENGTH
表3 結線部長さ

* F	1	2
	2.8	3.3

NOTE1. THE FOUR CORNERS OF TERMINAL AREA SHALL BE BASHED TO BE INSERTED INTO 0.7 mm DIAMETER CAVITY.

2. CONTACT FINISH MARKING IN WHITE INK.

* MARKING	MARKING
1	NONE
2	2 MARKED IN WHITE INK
3	3 MARKED IN WHITE INK

3. ONE POLARIZING GROOVE IS PROVIDED AT THE CENTER. NO POLARIZING GROOVE IS PROVIDED FOR 10-POSITION CONNECTOR.
 4. TWO POLARIZING KEYS ARE PROVIDED. FOR 10-POSITION CONNECTOR, NO POLARIZING KEY IS PROVIDED ON THE ▲ MARKED SIDE, BUT ONE POLARIZING KEY IS PROVIDED ON THE OTHER SIDE.

注1. 結線部は0.64×0.44を四隅面打ちφ0.7に挿入できる。
 2. 仕上記号白色捺印

仕上記号	表示
1	無表示
2	2を白色捺印
3	3を白色捺印

3. 誤挿入防止溝を中心に1ヶ設ける。但し、10芯は無し。
 4. 極性キイ取付部を2ヶ所設ける。但し、10芯は▲マーク側の極性キイ取付部は無し。反対側の1ヶ所設けてある。

4	POST	TABLE 1	COPPER ALLOY	SEE TABLE 2	
3	INSULATOR	1	P. B. T		UL94V-0 COLOR:BLACK
2	SPRING PIN	2	STAINLESS STEEL PASSIVATE		
1	LEVER	2	NYLON		UL94V-0 COLOR:BLACK
符号 NO.	名称 DESCRIPTION	個数 QTY.	材料 MATERIAL	仕上 FINISH	備考 REMARKS
仕様書(SPECIFICATION)		第1版(ORIGINAL DATE) 29.Dec.2004		尺(SCALE) 2:1	シリーズ(SERIES) PS
公差(GENERAL TOLERANCE)		製図 DR. H.SAKURADA		名称(TITLE) JAE CONNECTOR	
寸法(DIMENSION)		担当 CHK. N.UCHIYAMA		JAPAN AVIATION ELECTRONICS INDUSTRY, LTD.	
角度(ANGLES)		査閲 APPD. Y.YAHIRO		PS-***PE-D4T*-M*E	
.X ±0.8		承認 APPD. K.HISATOMI		PIN HEADER	
.XX ±0.4				図面番号(DRAWING NO.) SJ101470	
.XXX ±				版数(REV.) 2	