



Chipsmall Limited consists of a professional team with an average of over 10 year of expertise in the distribution of electronic components. Based in Hongkong, we have already established firm and mutual-benefit business relationships with customers from,Europe,America and south Asia,supplying obsolete and hard-to-find components to meet their specific needs.

With the principle of “Quality Parts,Customers Priority,Honest Operation,and Considerate Service”,our business mainly focus on the distribution of electronic components. Line cards we deal with include Microchip,ALPS,ROHM,Xilinx,Pulse,ON,Everlight and Freescale. Main products comprise IC,Modules,Potentiometer,IC Socket,Relay,Connector.Our parts cover such applications as commercial,industrial, and automotives areas.

We are looking forward to setting up business relationship with you and hope to provide you with the best service and solution. Let us make a better world for our industry!



Contact us

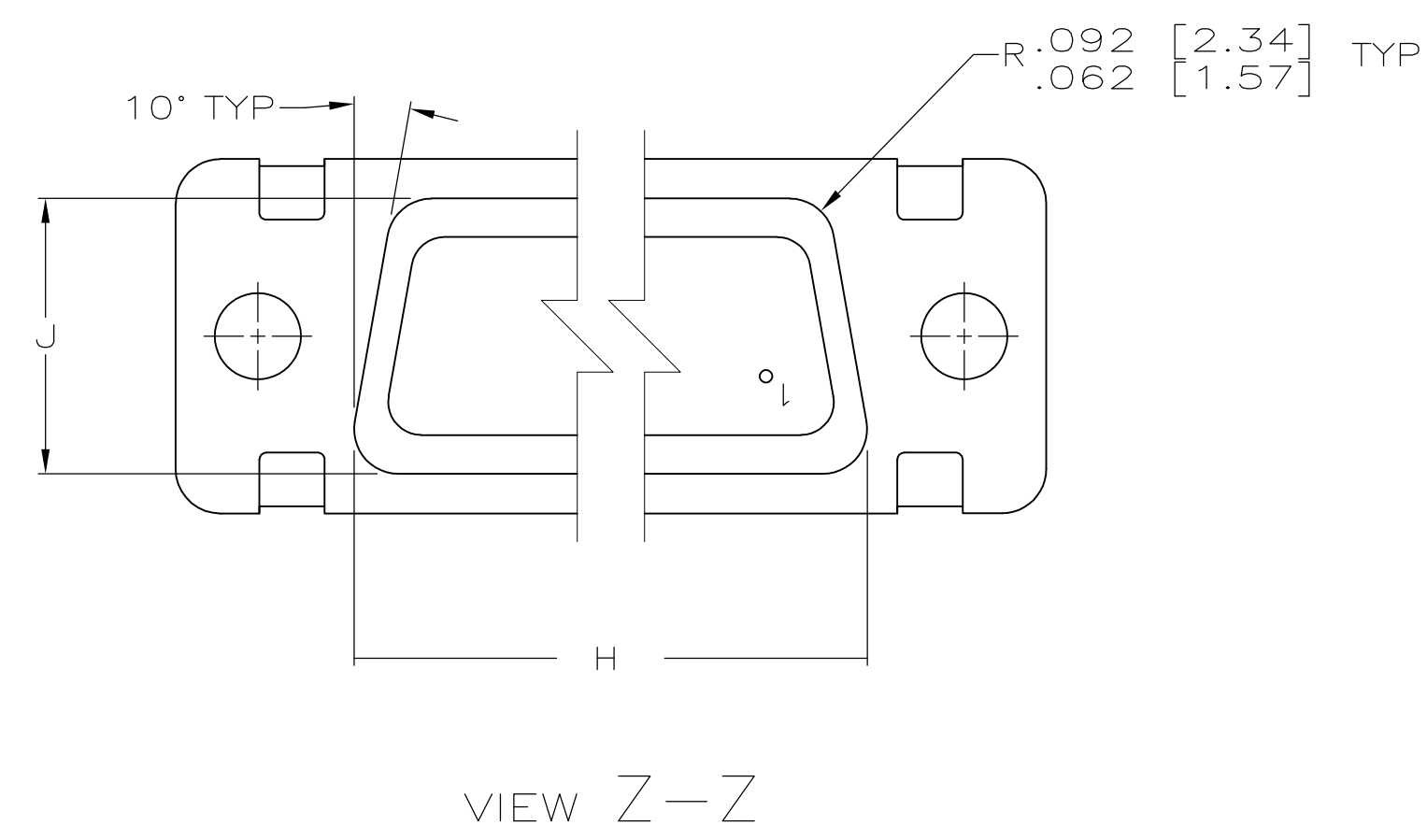
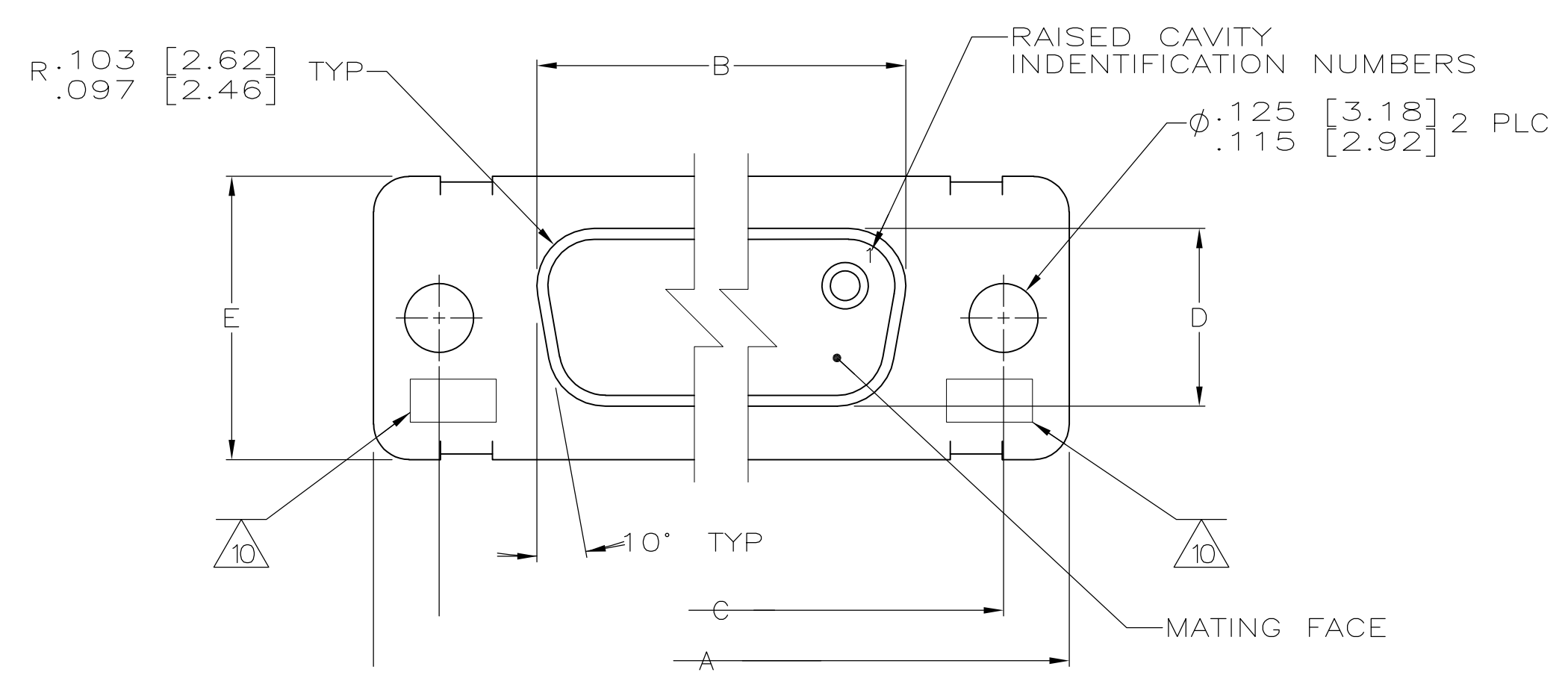
Tel: +86-755-8981 8866 Fax: +86-755-8427 6832

Email & Skype: info@chipsmall.com Web: www.chipsmall.com

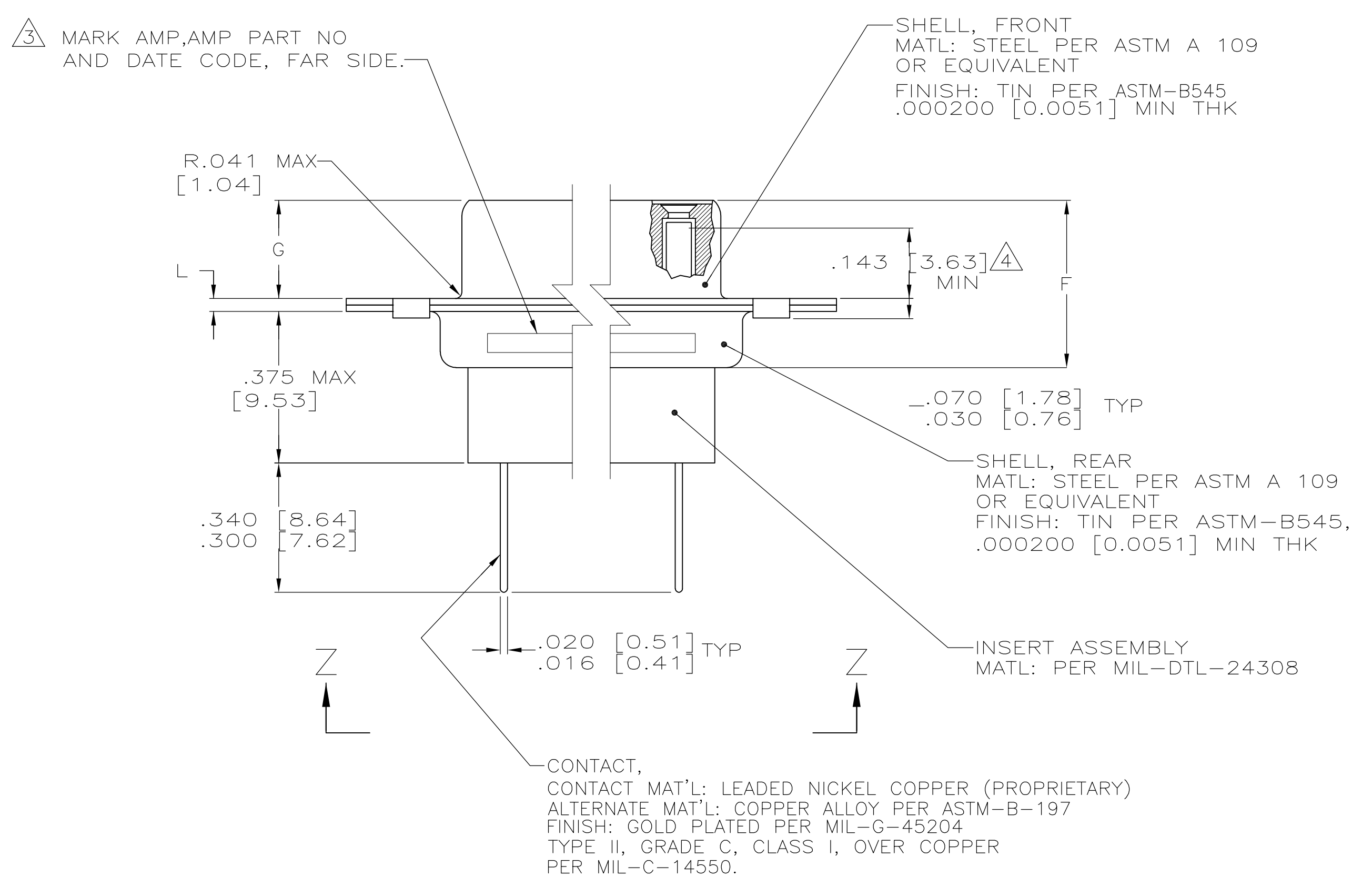
Address: A1208, Overseas Decoration Building, #122 Zhenhua RD., Futian, Shenzhen, China



LOC		DIST		REVISIONS			
P	LTR	DESCRIPTION	DATE	DMN	APVD		
C		REVISED PER ECO-15-005914	28MAY15	KG	DM		



- SEE SHEET 2 FOR RECOMMENDED P.C. BOARD LAYOUT. TRUE POSITION TOLERANCE FOR P.C. BOARD LAYOUT IS .010 [0.25] AT MAX MATERIAL CONDITION.
- THIS CONNECTOR ASSEMBLY IS SUPPLIED WITH STAINLESS STEEL CONTACT RETENTION CLIPS INSTALLED IN THE INSERT ASSEMBLY.
- MARK WITH .047 [1.19]-.062 [1.57] HIGH CHARACTERS. FAR SIDE REFERS TO THE WIDE SIDE OF THE KEYSTONE. IF THE REAR SHELL IS TOO SMALL FOR THE ENTIRE MARKING REQUIREMENT, MARKING SHALL BE LOCATED AS FOLLOWS:
A. "TE" AND DATE CODE ON FRONT SHELL, FAR SIDE.
B. TE PART NUMBER ON REAR SHELL, FAR SIDE.
- POINT OF ELECTRICAL ENGAGEMENT - AS MEASURED WITH A .039 [0.99] - .041 [1.04] DIAMETER SQUARE ENDED TEST PIN.
- FOR REPLACEMENT CONTACTS ORDER TE PART NUMBER 1-208778-0.
- FOR CONTACT INSTALLATION AND REMOVAL TOOL ORDER TE PART NUMBER 91067-2.
- THE CONNECTORS DESCRIBED IN THIS DOCUMENT MEET THE REQUIREMENTS OF MIL-C-24308 AND MATE WITH ANY PLUG CONNECTOR WITH THE SAME INSERT ARRANGEMENT.
- DIMENSIONS AND TOLERANCES PER ANSI Y14.5M-1982.
- THIS DRAWING SHALL BE INTERPRETED IN ACCORDANCE WITH APPLICABLE STANDARDS LISTED IN MIL-STD-100.
- UL/CSA DESIGNATION STAMPED IN THIS AREA, OPTIONAL.



.040 [1.02]	.432 [10.97]	2.282 [57.96] 2.262 [57.45]	.248 [6.30]	.439 [11.15]	.509 [12.93]	.316 [8.03]	2.505 [63.63] 2.495 [63.37]	2.164 [54.97] 2.154 [54.71]	2.744 [69.70] 2.714 [68.94]	MS18276-1	37	4	448689-4	448689-4
.020 [0.51]	.412 [10.46]	1.093 [27.76] 1.073 [27.25]	.238 [6.05]	.419 [10.64]	.479 [12.17]	.306 [7.77]	1.317 [33.45] 1.307 [33.20]	.976 [24.79] .966 [24.54]	1.556 [39.52] 1.526 [38.76]	MS18274-1	15	2	448689-2	448689-2
		.769 [19.53] .749 [19.02]					.989 [25.12] .979 [24.87]	.648 [16.46] .638 [16.21]	1.228 [31.19] 1.198 [30.43]	MS18273-1	9	1	448689-1	448689-1
L	J	H	G	F	E	D	C	B	A	INSERT ARRANGEMENT	NO OF POS	SHELL SIZE	TE P/N ON CONNECTOR	PART NUMBER

THIS DRAWING IS A CONTROLLED DOCUMENT.

DIMENSIONS: INCHES	TOLERANCES UNLESS OTHERWISE SPECIFIED:	APPROVED: R. GILLMAN	DATE: 03AUG93
0 PLC ± -	1 PLC ± -	2 PLC ± -	3 PLC ± -
4 PLC ± -	ANGLES ± -	FINISH: SEE CALLOUTS	WEIGHT: -

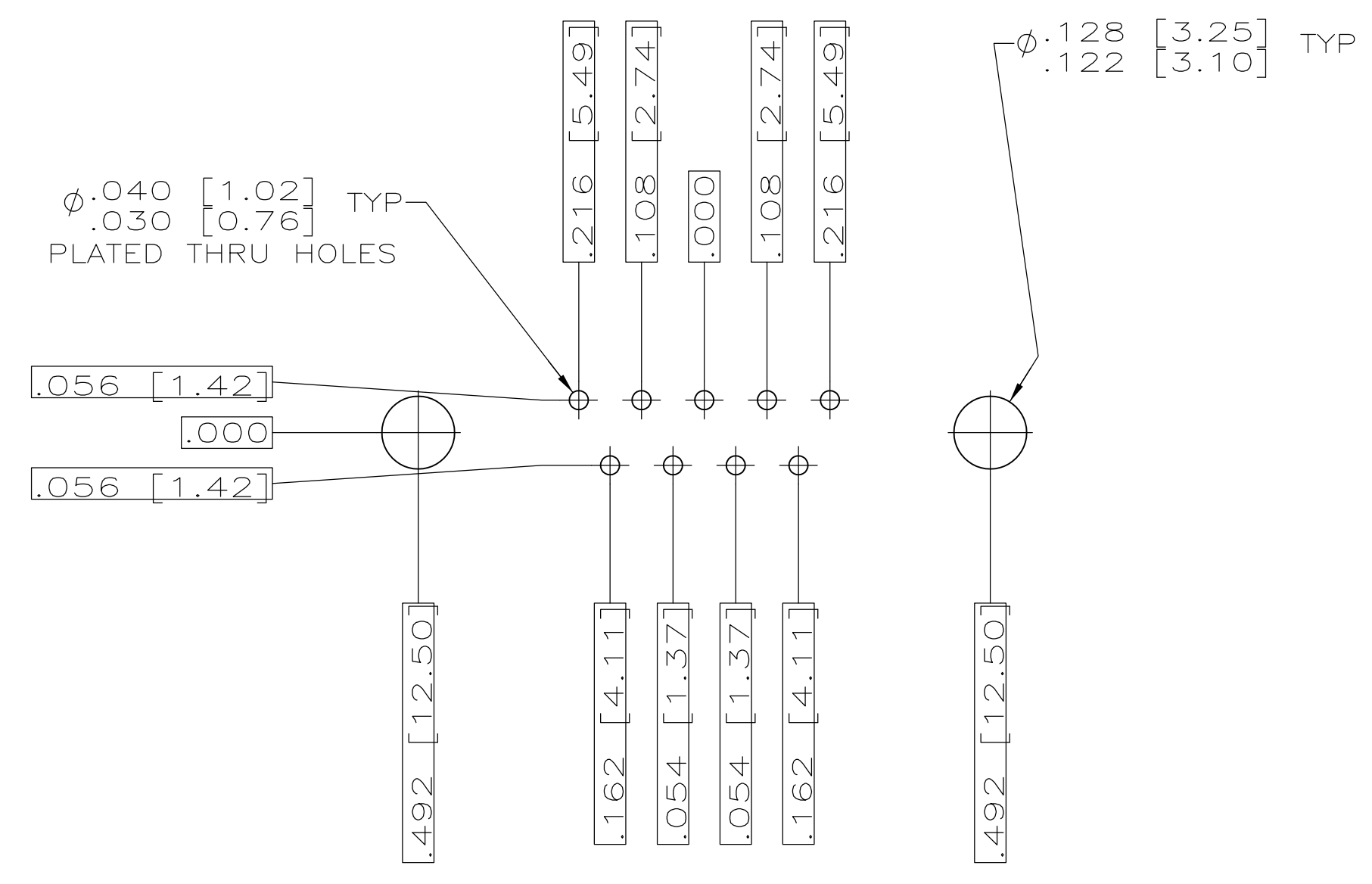
STE TE Connectivity

AMPLITE RECEPTACLE ASSY WITH SIZE 20 STRAIGHT POSTED, SOCKET CONTACTS. SERIES 109, SHELL SIZES 1, 2, & 4

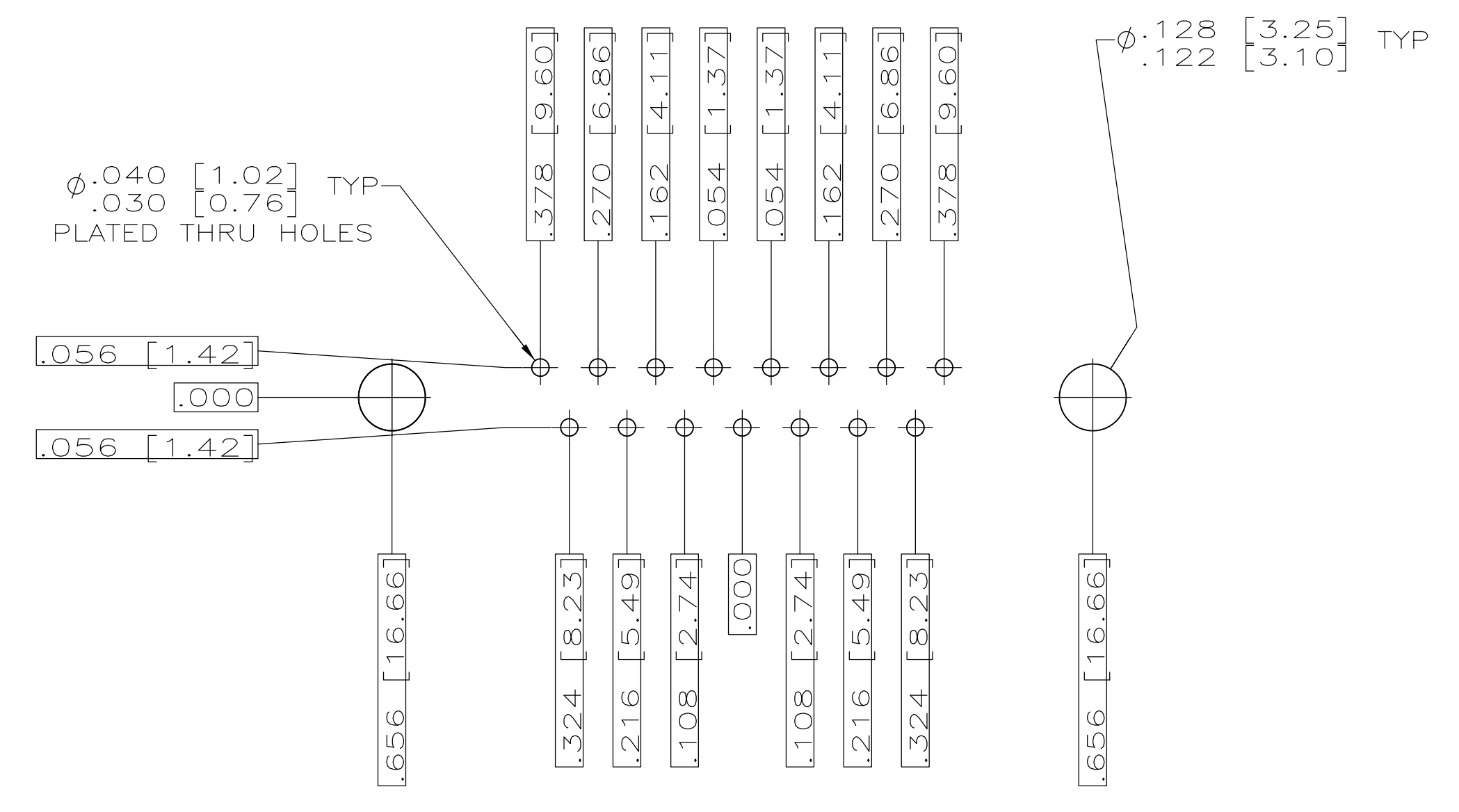
SIZE: A1 CAGE CODE: 00779 DRAWING NO: 448689

CUSTOMER DRAWING SCALE: 4:1 SHEET: 1 OF 2 REV: C

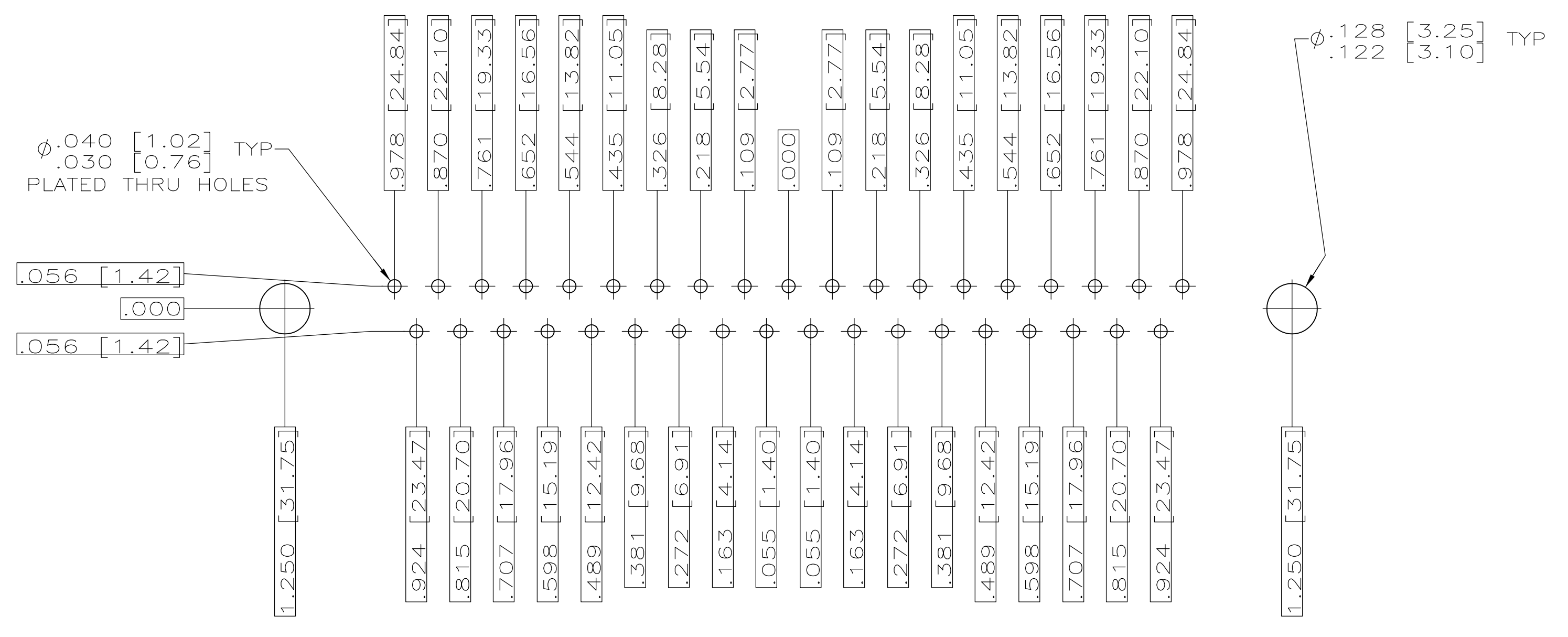
LOC		DIST		REVISIONS			
P	LTR	DESCRIPTION	DATE	DN	APVD		
-	-	SEE SHEET 1	-	-	-	-	-



RECOMMENDED P.C. BOARD LAYOUT SHELL SIZE 1 (9 POSITION) \triangle



RECOMMENDED P.C. BOARD LAYOUT SHELL SIZE 2 (15 POSITION) \triangle



RECOMMENDED P.C. BOARD LAYOUT SHELL SIZE 4 (37 POSITION) \triangle

THIS DRAWING IS A CONTROLLED DOCUMENT.		DIN AJ GRAFF 03AUG93	TE Connectivity	
DIMENSIONS: INCHES		CHK R. GILLMAN 03AUG93		
TOLERANCES UNLESS OTHERWISE SPECIFIED:		APVD	NAME	
0 PLC ± .005 1 PLC ± .005 2 PLC ± .005 3 PLC ± .005 4 PLC ± .005 ANGLES ± .005		PRODUCT SPEC		AMPLITE RECEPTACLE ASSY WITH SIZE 20 STRAIGHT POSTED, SOCKET CONTACTS, SERIES 109, SHELL SIZES 1, 2, & 4
MATERIAL SEE CALLOUTS		APPLICATION SPEC		RESTRICTED TO
FINISH SEE CALLOUTS		WEIGHT	SIZE	CAGE CODE
			A1	00779
		DRAWING NO		448689
		CUSTOMER DRAWING		SCALE 4:1 SHEET 2 OF 2 REV C