



Chipsmall Limited consists of a professional team with an average of over 10 year of expertise in the distribution of electronic components. Based in Hongkong, we have already established firm and mutual-benefit business relationships with customers from,Europe,America and south Asia,supplying obsolete and hard-to-find components to meet their specific needs.

With the principle of “Quality Parts,Customers Priority,Honest Operation,and Considerate Service”,our business mainly focus on the distribution of electronic components. Line cards we deal with include Microchip,ALPS,ROHM,Xilinx,Pulse,ON,Everlight and Freescale. Main products comprise IC,Modules,Potentiometer,IC Socket,Relay,Connector.Our parts cover such applications as commercial,industrial, and automotives areas.

We are looking forward to setting up business relationship with you and hope to provide you with the best service and solution. Let us make a better world for our industry!



Contact us

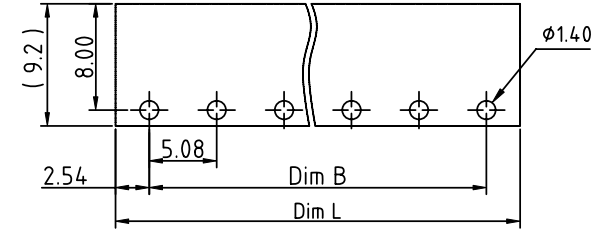
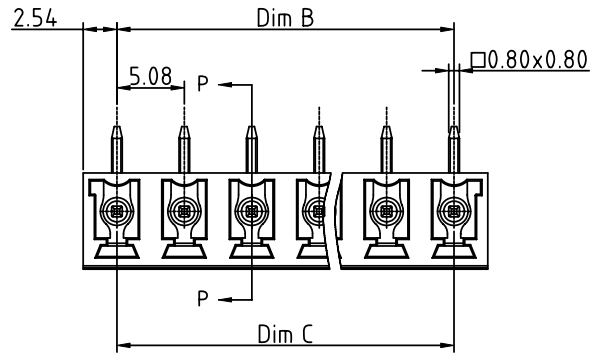
Tel: +86-755-8981 8866 Fax: +86-755-8427 6832

Email & Skype: info@chipsmall.com Web: www.chipsmall.com

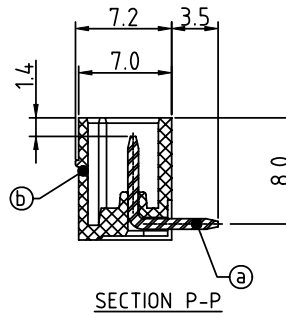
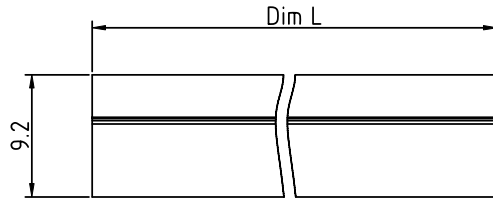
Address: A1208, Overseas Decoration Building, #122 Zhenhua RD., Futian, Shenzhen, China



PRODUCT NUMBER	PITCH
VSxx51x100J0G	5.08 mm



RECOMMENDED P.C.B LAYOUT
TOP VIEW



SECTION P-P

Material:

- Item (a) Contact pin: Copper, Tin plated
- Item (b) Terminal(housing): Thermoplastic (UL94V-0)

Electrical:

- cULus
- Voltage rating: 300V
- Current rating: 8A
- Withstanding Voltage: 1.6 KV
- Operating temperature: -40°C to +115°C
- Soldering temperature: 260°C±5°C/5 Sec
- Safety Approval:

Dimension

Dim L	N×5.08
Dim B	(N-1)×5.08
Dim C	(N-1)×5.08

N=Number of poles

Poles	Tolerance
2p-5p	±0.15
6p-10p	±0.25
11p-15p	±0.30
16p-24p	±0.40

PART NO.: VS xx 51 x 1 00J0 G

Solid block	0	Black (RAL9005)	Color	RoHS compliant
No. of poles	2	Red (RAL3001/D)		(lead<4%)
02	2 poles	3	Orange(RAL2011/P)	In copper Alloy
03	3 poles	4	Yellow(RAL1018/A)	
...	...	5	Green(RAL6018/T)	
24	24 poles	6	Blue (RAL5015/A)	
		8	Grey(RAL7035/D)	
		9	White(RAL1102)	
		C	Green(RAL6018/U)	

mat'l. code		surface ASME Y14.5	tolerance ASME Y14.5	projection	product family TERMINAL BLOCK
ltr	ecn no	dr	date	tolerances unless otherwise specified	title TERMINAL BLOCK
				angles X±1°	PLUGGABLE SOCKET,CLOSE RIGHT-ANGLE
				scale	dwg no VSxx51x100J0G
				dr EVIN ZHONG 042214	sheet 1 of 1 size A4
				enrg EVIN ZHONG 042214	type CUSTOMER Drawing
				chr HANKE FENG 042214	
				appd SHI JUN 042214	
sheet index	revision sheet	A	1		