



Chipsmall Limited consists of a professional team with an average of over 10 year of expertise in the distribution of electronic components. Based in Hongkong, we have already established firm and mutual-benefit business relationships with customers from,Europe,America and south Asia,supplying obsolete and hard-to-find components to meet their specific needs.

With the principle of “Quality Parts,Customers Priority,Honest Operation,and Considerate Service”,our business mainly focus on the distribution of electronic components. Line cards we deal with include Microchip,ALPS,ROHM,Xilinx,Pulse,ON,Everlight and Freescale. Main products comprise IC,Modules,Potentiometer,IC Socket,Relay,Connector.Our parts cover such applications as commercial,industrial, and automotives areas.

We are looking forward to setting up business relationship with you and hope to provide you with the best service and solution. Let us make a better world for our industry!



Contact us

Tel: +86-755-8981 8866 Fax: +86-755-8427 6832

Email & Skype: info@chipsmall.com Web: www.chipsmall.com

Address: A1208, Overseas Decoration Building, #122 Zhenhua RD., Futian, Shenzhen, China



VSC3340-31

3.5 Gbps 40 × 40 Crosspoint Switch

Microsemi's multichannel 3.5 Gbps crosspoint switch provides a cost-effective solution for high-speed copper interconnects.

The VSC3340-31 is the industry's highest performance signal integrity crosspoint solution. The VSC3340-31 is uniquely capable of addressing a wide array of routing, switching, and signal integrity issues across broadcast video, telecommunications, and Ethernet applications. In video applications, the VSC3340-31 can support HDMI, DVI, DisplayPort, or SDI HDTV protocols. The VSC3340-31 features a 40 × 40 non-blocking, multicasting switch core with ports running at any rate up to 3.5 Gbps. The VSC3340-31 architecture provides protocol-independent operation that allows each channel to run independently.

The VSC3340-31 includes both register and static programming modes. The VSC3340-31 incorporates Microsemi's fourth-generation input equalization and pre-emphasis I/O capability for the industry's latest generation protocols. The device can perform signal fanout, loopback, and protection switching. It can also regenerate signals severely compromised by transmission losses. Microsemi's industry-proven equalization provides highly effective compensation for deterministic jitter across a wide range of high-speed interconnect applications.

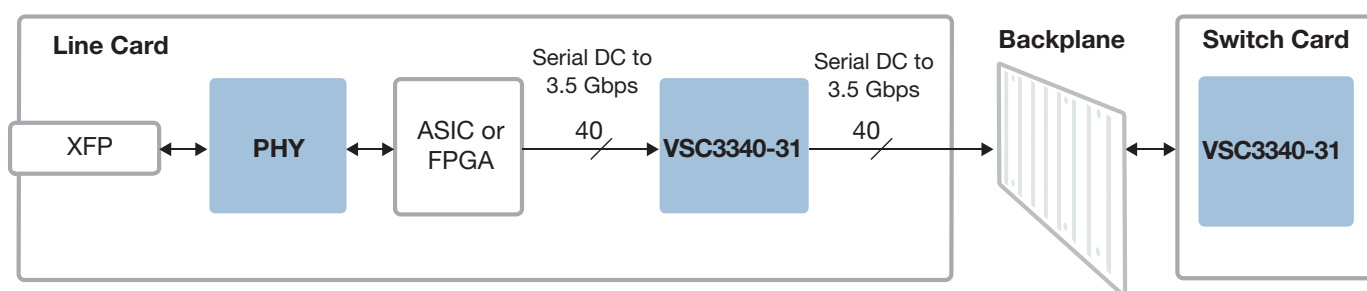
Highlights

- DC to 3.5 Gbps operation
- 40 × 40 fully non-blocking switch capability
- Protocol-independent operation
- Advanced EQ
- Small 23 mm × 23 mm form factor

Applications

- HDMI/DVI/DisplayPort switching/routing
- Broadcast video routers
- Broadcast video switchers

VSC3340-31 Line Card and Central Switch Card Applications



VSC3340-31

3.5 Gbps 40 × 40 Crosspoint Switch

Speed and Protocol Support

- 3.5 Gbps non-return-to-zero (NRZ) data bandwidth
- Protocol-independent asynchronous operation

Architecture

- Fully non-blocking and multicasting switch core
- Loss of Signal (LOS) detection and forwarding (supports out-of-band signaling)
- Fully asynchronous operation with <1 ns latency
- 40 × 40 switch core enables signal fanout, loopback, and protection switching

Signal Integrity

- Multiple time-constant programmable input and output equalization
- Wide equalization adjustment range
- Input EQ
- Pre-emphasis

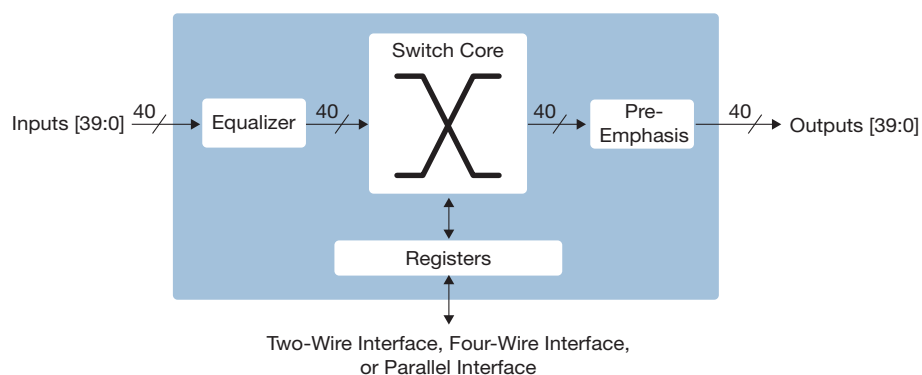
Key Specifications

- 3.5 Gbps NRZ per channel data rate
- 2.5 V power supply
- 23 mm × 23 mm flip chip ball grid array package

Related Products

Visit www.microsemi.com for information about these related products:

- Crosspoint Switches
- Ethernet MACs
- Mux, Demux, and Transceivers
- Electronic Dispersion Compensation CDRs



Microsemi Corporate Headquarters
 One Enterprise, Aliso Viejo, CA 92656 USA
 Within the USA: +1 (800) 713-4113
 Outside the USA: +1 (949) 380-6100
 Sales: +1 (949) 380-6136
 Fax: +1 (949) 215-4996
 email: sales.support@microsemi.com
www.microsemi.com

Microsemi Corporation (Nasdaq: MSCC) offers a comprehensive portfolio of semiconductor and system solutions for communications, defense and security, aerospace, and industrial markets. Products include high-performance and radiation-hardened analog mixed-signal integrated circuits, FPGAs, SoCs, and ASICs; power management products; timing and synchronization devices and precise time solutions; voice processing devices; RF solutions; discrete components; enterprise storage and communications solutions, security technologies, and scalable anti-tamper products; Ethernet solutions; Power-over-Ethernet ICs and midspans; custom design capabilities and services. Microsemi is headquartered in Aliso Viejo, California, and has approximately 4,800 employees worldwide. Learn more at www.microsemi.com.