



Chipsmall Limited consists of a professional team with an average of over 10 year of expertise in the distribution of electronic components. Based in Hongkong, we have already established firm and mutual-benefit business relationships with customers from,Europe,America and south Asia,supplying obsolete and hard-to-find components to meet their specific needs.

With the principle of "Quality Parts,Customers Priority,Honest Operation,and Considerate Service",our business mainly focus on the distribution of electronic components. Line cards we deal with include Microchip,ALPS,ROHM,Xilinx,Pulse,ON,Everlight and Freescale. Main products comprise IC,Modules,Potentiometer,IC Socket,Relay,Connector.Our parts cover such applications as commercial,industrial, and automotives areas.

We are looking forward to setting up business relationship with you and hope to provide you with the best service and solution. Let us make a better world for our industry!



Contact us

Tel: +86-755-8981 8866 Fax: +86-755-8427 6832

Email & Skype: info@chipsmall.com Web: www.chipsmall.com

Address: A1208, Overseas Decoration Building, #122 Zhenhua RD., Futian, Shenzhen, China



VSC6830BSP

Linux Board Support Package for Microsemi Ethernet Switches

Microsemi Linux BSP provides a comprehensive reference package for developers specifically targeting Linux as their operating system.

The VSC6830BSP Linux board support package (BSP) is built using the Yocto Project (www.yoctoproject.org), an open source collaboration project that supplies templates, tools, and methods for creating a fully customizable Linux-based system for embedded products. It also simplifies adding new hardware platforms and software packages.

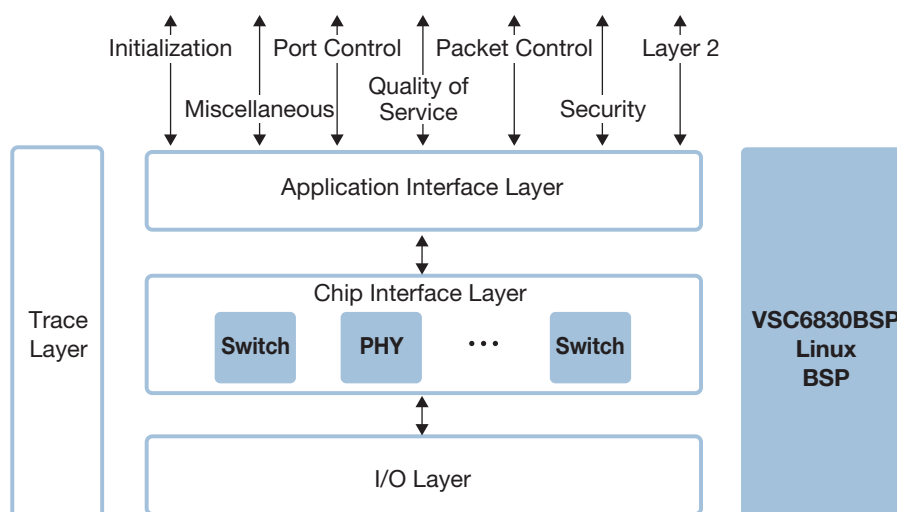
The VSC6830BSP, as provided through the Yocto Project, demonstrates a fully operational Linux system, including compiler, tool chain, kernel, and root file system. Should a target system be built around another Linux distribution and/or kernel, the bulk of the BSP will be usable by adapting the appropriate platform source code. The VSC6830BSP also operates with Microsemi's switch API (not included) and supports hardware evaluation boards for Microsemi switches with integrated MIPS 24Kec CPUs.

Highlights

- Highly embedded and optimized footprint
- Robust and widely deployed
- Supports all Microsemi Enterprise and Carrier Ethernet switches

Applications

- Enterprise and Small-Medium Enterprise (SME) switches
- Carrier Ethernet switches and routers
- Industrial Ethernet switches



VSC6830BSP

Linux Board Support Package for Microsemi Ethernet Switches

Package Contents

- Build system: Yocto core 1.4.4 – Dylan
- Kernel: 3.14.8
- CPU architecture: MIPS 24Kec (MIPS 32v2)
- Compiler: GCC 4.7.2
- Root file system: BusyBox 1.20.2, dropbear v2012.55

Supported Evaluation Boards

- SparX-III for VSC7414, VSC7424, VSC7425, VSC7426, and VSC7427 devices
- SparX-IV for VSC7442, VSC7444 and VSC7448 devices
- Caracal for VSC7423, VSC7428 and VSC7429 devices
- Jaguar for VSC7460 and VSC7462 devices
- E-StaX-III for VSC7431, VSC7432 and VSC7434 devices
- Serval for VSC7416 and VSC7418 devices



Microsemi Corporate Headquarters
One Enterprise, Aliso Viejo, CA 92656 USA
Within the USA: +1 (800) 713-4113
Outside the USA: +1 (949) 380-6100
Sales: +1 (949) 380-6136
Fax: +1 (949) 215-4996
email: sales.support@microsemi.com
www.microsemi.com

Microsemi Corporation (Nasdaq: MSCC) offers a comprehensive portfolio of semiconductor and system solutions for communications, defense and security, aerospace, and industrial markets. Products include high-performance and radiation-hardened analog mixed-signal integrated circuits, FPGAs, SoCs, and ASICs; power management products; timing and synchronization devices and precise time solutions; voice processing devices; RF solutions; discrete components; enterprise storage and communications solutions, security technologies, and scalable anti-tamper products; Ethernet solutions; Power-over-Ethernet ICs and midspans; custom design capabilities and services. Microsemi is headquartered in Aliso Viejo, California, and has approximately 4,800 employees worldwide. Learn more at www.microsemi.com.