



Chipsmall Limited consists of a professional team with an average of over 10 year of expertise in the distribution of electronic components. Based in Hongkong, we have already established firm and mutual-benefit business relationships with customers from,Europe,America and south Asia,supplying obsolete and hard-to-find components to meet their specific needs.

With the principle of “Quality Parts,Customers Priority,Honest Operation,and Considerate Service”,our business mainly focus on the distribution of electronic components. Line cards we deal with include Microchip,ALPS,ROHM,Xilinx,Pulse,ON,Everlight and Freescale. Main products comprise IC,Modules,Potentiometer,IC Socket,Relay,Connector.Our parts cover such applications as commercial,industrial, and automotives areas.

We are looking forward to setting up business relationship with you and hope to provide you with the best service and solution. Let us make a better world for our industry!



## Contact us

Tel: +86-755-8981 8866 Fax: +86-755-8427 6832

Email & Skype: info@chipsmall.com Web: www.chipsmall.com

Address: A1208, Overseas Decoration Building, #122 Zhenhua RD., Futian, Shenzhen, China



# VSC7429

## 26-Port Layer 2 Gigabit Ethernet Switch with 12 Fully Integrated Copper PHYs and Embedded 32-bit CPU

Microsemi's next-generation switch family delivers a comprehensive, end-to-end Carrier Ethernet solution.

VSC7429 is the industry's first fully integrated 26-port Ethernet switch with 12 Gigabit Ethernet copper PHYs in a single package. In conjunction with the VSC8512 12-port PHY, 24/26-port switches can be designed using only two ICs. VSC7429 is intended for Telecom and Carrier Ethernet applications, supporting MEF service delivery and timing over packet solutions for IEEE 1588 and Synchronous Ethernet.

12 GbE Cu PHYs, 12 SGMII interfaces, two of which support 1G/2.5G, and up to three QSGMII ports. One of the SGMII ports can be dedicated to the CPU for packet insertion and extraction.

VSC7429 meets the IEEE 802.3az requirements for green energy efficient Ethernet through Microsemi's ActiPHY™ and PerfectReach™ energy efficient modes.

A powerful embedded 416 MHz MIPS processor 32-bit CPU with DDR2 external memory and DMA-based frame extraction and insertion supports timing over packet, Ethernet OAM, and performance monitoring.

VSC7429 is an excellent choice for Mobile backhaul and Microwave backhaul applications, and for provider service demarcation points in Edge and Access devices.

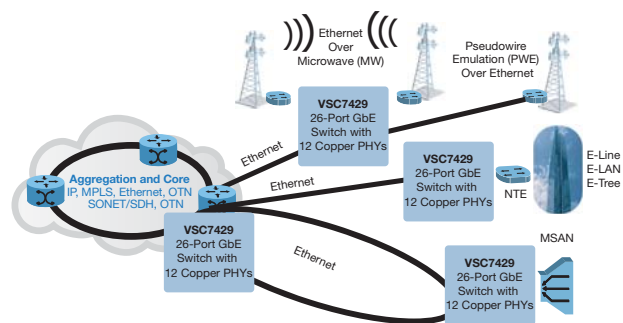
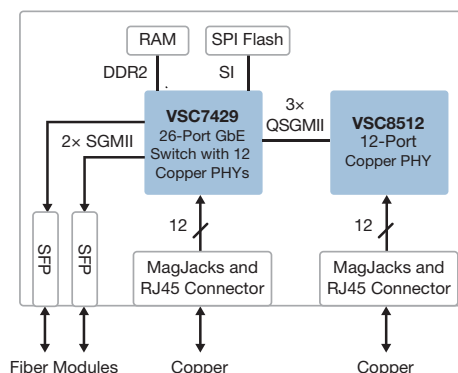
A comprehensive application programming interface (API) and software package are provided for Carrier Ethernet applications. The software package integrates easily with third-party software, preserving existing software investments while adding new, enhanced carrier functionality.

### Highlights

- Integrated Cu PHYs
- IEEE 1588 and Synchronous Ethernet network timing
- Supports IEEE 802.3az and green energy efficiency modes with ActiPHY™ and PerfectReach™

### Applications

- Carrier Ethernet switches
- Mobile backhaul
- Ethernet Access Devices (EAD): CPE, NTE, and MTU



# VSC7429

26-Port Layer 2 Gigabit Ethernet Switch with 12 Fully Integrated Copper PHYs and Embedded 32-bit CPU

## I/O Configurations

- 12x 1G Cu PHY, 3x QSGMII, 1x SGMII, 1x 1G/2.5G SGMII
- 12x 1G Cu PHY, 10x SGMII, 2x 1G/2.5G SGMII
- 10x 1G Cu PHY, 8x SGMII, 2x 1G/2.5G SGMII

## Architecture

- Shared memory buffer with per-port and CoS memory management
- 4 Mb packet memory
- Hierarchical MEF compliant policing and scheduling
- 8 priorities and 8 CoS queues per port with strict or deficit-weighted round robin scheduling
- Shaping/policing per queue and per port
- Advanced security and prioritization available through a multi-stage TCAM engine
- 12x integrated 10/100/1000BASE-T Ethernet copper transceivers (IEEE 802.3ab compliant) with ActiPHY and Perfect-Reach power management and VeriPHY™ cable diagnostics
- Integrated 416 MHz MIPS CPU with DDR2 and serial flash interface

## Layer 2 Switching

- 802.1Q VLAN switch with 8K MACs and 4K VLANs
- Push/pop up to two VLAN tags
- IPv4/IPv6 multicast
- Policing with storm control and MC/BC protection
- RSTP and MSTP support
- Hardware and software-based learning

- Link aggregation (IEEE 802.3ad)
- Independent and shared VLAN learning (IVL, SVL)
- Jumbo frame support

## Carrier Ethernet Features

- Provider Bridging (PB)
- MEF E-Lane, E-Line, and E-Tree services
- Dual leaky bucket policers with remarking and statistics
- OAM and protection switching
- L1 Synchronous Ethernet
- L2 IEEE 1588
- Enhanced Carrier Ethernet API

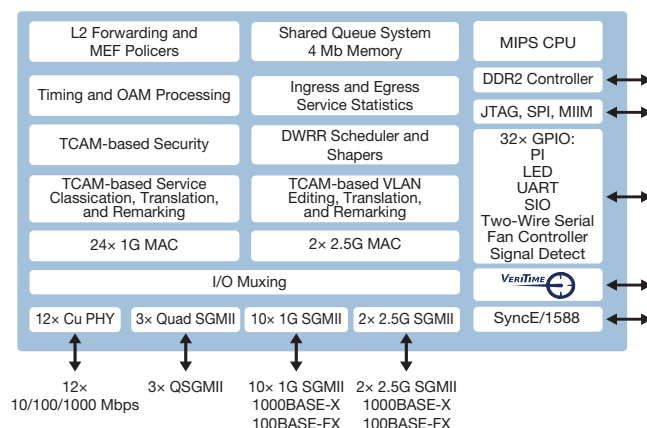
## Key Specifications

- 27 mm × 27 mm thermally enhanced BGA package
- Operating temperature -40 °C to 125 °C

## Related Products

Visit [www.microsemi.com](http://www.microsemi.com) for information about these related products:

- VSC7460/VSC7462 24/12-Port Gigabit Ethernet Carrier Ethernet Switch
- VSC7364/VSC7366 24/12-Port 1GbE + 2/1× 10G Carrier Ethernet MAC
- VSC8512 12-Port 10/100/1000BASE-T PHY with SGMII and QSGMII MAC Interface



**Microsemi Corporate Headquarters**  
 One Enterprise, Aliso Viejo, CA 92656 USA  
 Within the USA: +1 (800) 713-4113  
 Outside the USA: +1 (949) 380-6100  
 Sales: +1 (949) 380-6136  
 Fax: +1 (949) 215-4996  
 email: [sales.support@microsemi.com](mailto:sales.support@microsemi.com)  
[www.microsemi.com](http://www.microsemi.com)

Microsemi Corporation (Nasdaq: MSCC) offers a comprehensive portfolio of semiconductor and system solutions for communications, defense and security, aerospace, and industrial markets. Products include high-performance and radiation-hardened analog mixed-signal integrated circuits, FPGAs, SoCs, and ASICs; power management products; timing and synchronization devices and precise time solutions; voice processing devices; RF solutions; discrete components; enterprise storage and communications solutions, security technologies, and scalable anti-tamper products; Ethernet solutions; Power-over-Ethernet ICs and midspans; custom design capabilities and services. Microsemi is headquartered in Aliso Viejo, California, and has approximately 4,800 employees worldwide. Learn more at [www.microsemi.com](http://www.microsemi.com).