



Chipsmall Limited consists of a professional team with an average of over 10 year of expertise in the distribution of electronic components. Based in Hongkong, we have already established firm and mutual-benefit business relationships with customers from,Europe,America and south Asia,supplying obsolete and hard-to-find components to meet their specific needs.

With the principle of “Quality Parts,Customers Priority,Honest Operation,and Considerate Service”,our business mainly focus on the distribution of electronic components. Line cards we deal with include Microchip,ALPS,ROHM,Xilinx,Pulse,ON,Everlight and Freescale. Main products comprise IC,Modules,Potentiometer,IC Socket,Relay,Connector.Our parts cover such applications as commercial,industrial, and automotives areas.

We are looking forward to setting up business relationship with you and hope to provide you with the best service and solution. Let us make a better world for our industry!



Contact us

Tel: +86-755-8981 8866 Fax: +86-755-8427 6832

Email & Skype: info@chipsmall.com Web: www.chipsmall.com

Address: A1208, Overseas Decoration Building, #122 Zhenhua RD., Futian, Shenzhen, China



VSC7440

10-Port L2/L3 Enterprise Gigabit Ethernet Switch with 10 Gbps Links

The next-generation switch family from Microsemi delivers a flexible Enterprise and Industrial Ethernet solution.

The VSC7440 SparX-IV-34™ device is an SMB/SME Ethernet switch with up to 10 ports supporting a combination of 1G, 2.5G, and 10G Ethernet ports.

The device provides a rich set of Enterprise Ethernet switching features. Using multistage Versatile TCAM technology (VCAP™), it delivers VLAN and QoS processing that enables delivery of differentiated services, security through intelligent frame processing, and egress frame manipulation.

For industrial applications, VSC7440 integrates VeriTime™, Microsemi's patent-pending timing technology that delivers the industry's most accurate IEEE 1588v2 time stamping. Combined with the PTP software and an advanced Servo algorithm, Microsemi offers the most accurate 1588 solution.

A powerful 500 MHz CPU enables full management of a Layer 2 and Layer 3 Ethernet switch solution.

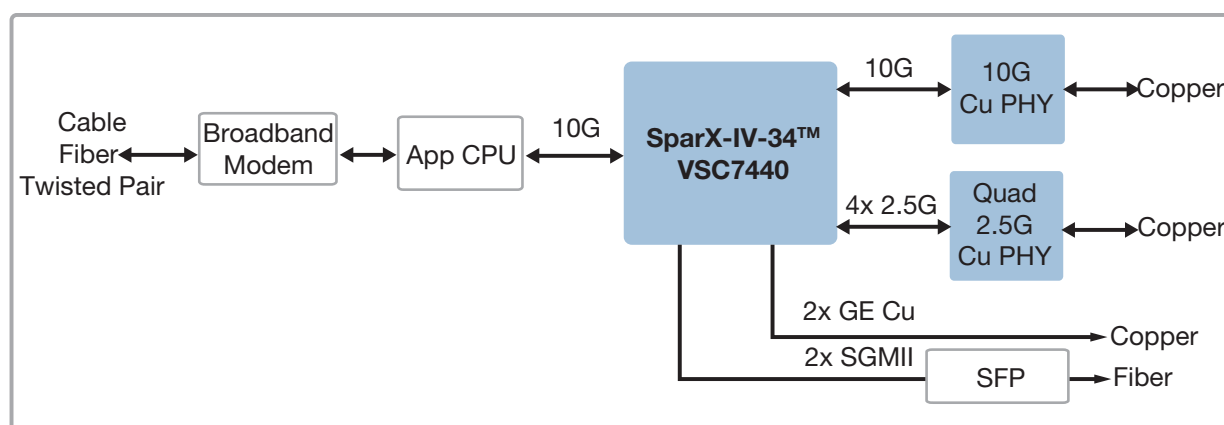
A comprehensive application programming interface (API) and a software development package (SDK) accelerate time-to-market for managed Ethernet applications. The software API package integrates easily with third-party software, preserving existing software investments.

Highlights

- Up to four 1G, four 2.5G, and two 10G ports
- Up to two integrated copper PHYs and two 10G SerDes
- Fully-managed L2 switching and L3 forwarding features
- Extended temperature range
- Easy upgrade within the SparX-IV family to higher bandwidth (including 10 GbE port support)

Applications

- High-end residential gateway, small-scale 11ac Wi-Fi aggregation
- Fully-managed L2/L3 switch
- SMB/SME Ethernet switches



VSC7440

10-Port L2/L3 Enterprise Gigabit Ethernet Switch with 10 Gbps Links

Features

- Four 10/100/1000 ports (up to two integrated copper PHYs)
- Four 10/100/1000/2500 ports
- Two 10/100/1000/2500/10000 ports
- Integrated shared packet memory
- Fully non-blocking wire-speed switching performance for all frame sizes
- 8 QoS classes per port
- Energy Efficient Ethernet (EEE)
- Priority-based control
- Integrated MIPS-24Kec CPU with DDR3 SDRAM controller
- PCIe for control/status register access

Layer 2 Switching

- 802.1Q VLAN switch
- Classify and modify up to three VLAN tags
- 512/256 IPv4/IPv6 multicast groups using snooping
- Policing with storm control and MC/BC protection
- RSTP and MSTP support
- Hardware- and software-based learning
- Link aggregation (IEEE 802.3ad)
- Independent and shared VLAN learning (VL, SVL)
- Jumbo frame support

Layer 3 Routing

- 1K/256 IPv4/IPv6 table entries (LPM and hosts)
- 512/256 IPv4/IPv6 (S, G, V) or (*, G, V)

Multicast

- Layer 2
- IPv4 and IPv6
- IGMP and MLD

Industrial Ethernet

- VeriTime™ (1588v2) and SyncE support
- Ethernet ring protection switching (ERPS)

Key Specifications

- 19 mm × 19 mm BGA
- -40 °C to 110 °C temperature range

Related Products

Visit www.microsemi.com for information about these related products:

- SparX-III GbE switches with integrated copperPHYs
- VSC8504 4-port copper PHYs
- Unified API, WebStaX™, and SMBStaX™ software

