



Chipsmall Limited consists of a professional team with an average of over 10 year of expertise in the distribution of electronic components. Based in Hongkong, we have already established firm and mutual-benefit business relationships with customers from,Europe,America and south Asia,supplying obsolete and hard-to-find components to meet their specific needs.

With the principle of “Quality Parts,Customers Priority,Honest Operation,and Considerate Service”,our business mainly focus on the distribution of electronic components. Line cards we deal with include Microchip,ALPS,ROHM,Xilinx,Pulse,ON,Everlight and Freescale. Main products comprise IC,Modules,Potentiometer,IC Socket,Relay,Connector.Our parts cover such applications as commercial,industrial, and automotives areas.

We are looking forward to setting up business relationship with you and hope to provide you with the best service and solution. Let us make a better world for our industry!



## Contact us

Tel: +86-755-8981 8866 Fax: +86-755-8427 6832

Email & Skype: info@chipsmall.com Web: www.chipsmall.com

Address: A1208, Overseas Decoration Building, #122 Zhenhua RD., Futian, Shenzhen, China



# VSC7513

## 8-Port L2 Gigabit Ethernet Switch

Microsemi's next generation switch family delivers a flexible Industrial Ethernet and SMB solution.

The VSC7513 is an 8-port Gigabit Ethernet (GbE) switch supporting a combination of 1G and 2.5G Ethernet ports.

The device provides a rich set of Industrial and Enterprise Ethernet switching features. Using multistage Microsemi TCAM technology, it delivers VLAN and QoS processing that enables delivery of differentiated services, security through intelligent frame processing, and egress frame manipulation.

For industrial applications, VSC7513 integrates Microsemi's distributed timing technology that delivers the industry's most accurate IEEE 1588v2 timing implementation. A powerful 500 MHz CPU enables full management of a Layer 2 Ethernet switch solution.

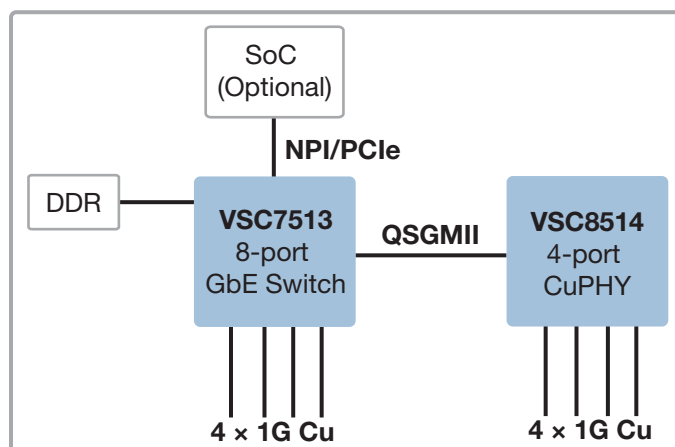
A comprehensive application programming interface (API) and software development package accelerate time-to-market for managed Ethernet applications. The software API package integrates easily with third-party software, preserving existing software investments.

### Highlights

- Four dual media copper/SGMII ports
- Two 1G SGMII ports or one QSGMII port
- Fully-managed L2 switching features
- Industrial temperature range
- Flexible PCIe and NPI CPU interfaces

### Applications

- Fully-managed L2 switch
- Industrial Ethernet switch



# VSC7513

## 8-Port L2 Gigabit Ethernet Switch

### Features

- Main configuration: Four dual media copper/SGMII ports
- Integrated 500 MHz MIPS 24KEc CPU with MMU and DDR3/DDR3L SDRAM controller
- PCIe 1.x, and NPI CPU interface
- Internal shared memory buffer (8 queues per port)
- Jumbo frame support
- Strict priority and DWRR scheduler/shaper

### Layer 2 Switching

- 802.1Q VLAN switch with 4K MACs and 4K VLANs
- Push/pop/translate up to three VLAN tags on ingress and egress
- Policing with storm control and MC/BC protection
- RSTP and MSTP support
- Independent and shared VLAN learning (iVL, sVL)
- Hardware-based and software-based learning
- TCAM-based classification and VCAP-II security

### Multicast

- Layer 2
- IGMP and MLD Snooping

### Industrial Ethernet

- Integrated timing: VeriTime™ (1588v2) and SyncE support
- Ethernet ring protection switching (ERPS)

### Key Specifications

- 17 mm × 17 mm CABGA package
- -40 °C to 125 °C temperature range

### Related Products

Visit [www.microsemi.com](http://www.microsemi.com) for information about these related products:

- SparX-IV GbE switches
- VSC8514 copper PHYs
- Unified API, WebStaX, SMBStaX, and IStaX software

