



Chipsmall Limited consists of a professional team with an average of over 10 year of expertise in the distribution of electronic components. Based in Hongkong, we have already established firm and mutual-benefit business relationships with customers from,Europe,America and south Asia,supplying obsolete and hard-to-find components to meet their specific needs.

With the principle of “Quality Parts,Customers Priority,Honest Operation,and Considerate Service”,our business mainly focus on the distribution of electronic components. Line cards we deal with include Microchip,ALPS,ROHM,Xilinx,Pulse,ON,Everlight and Freescale. Main products comprise IC,Modules,Potentiometer,IC Socket,Relay,Connector.Our parts cover such applications as commercial,industrial, and automotives areas.

We are looking forward to setting up business relationship with you and hope to provide you with the best service and solution. Let us make a better world for our industry!



Contact us

Tel: +86-755-8981 8866 Fax: +86-755-8427 6832

Email & Skype: info@chipsmall.com Web: www.chipsmall.com

Address: A1208, Overseas Decoration Building, #122 Zhenhua RD., Futian, Shenzhen, China





155 Mbps and 622 Mbps Clock and Data Recovery Units

Vitesse's high-speed clock and data recovery devices deliver industry-leading jitter performance

Highlights

- Superior jitter tolerance and transfer jitter performance
- Low power dissipation
- Single CDR unit for both 155 Mbps and 622 Mbps applications

Applications

- SONET/SDH and DWDM transport systems
- Multiservice access platforms and add/drop multiplexers
- ATM switches and routers
- Digital cross-connect systems
- Optical test equipment

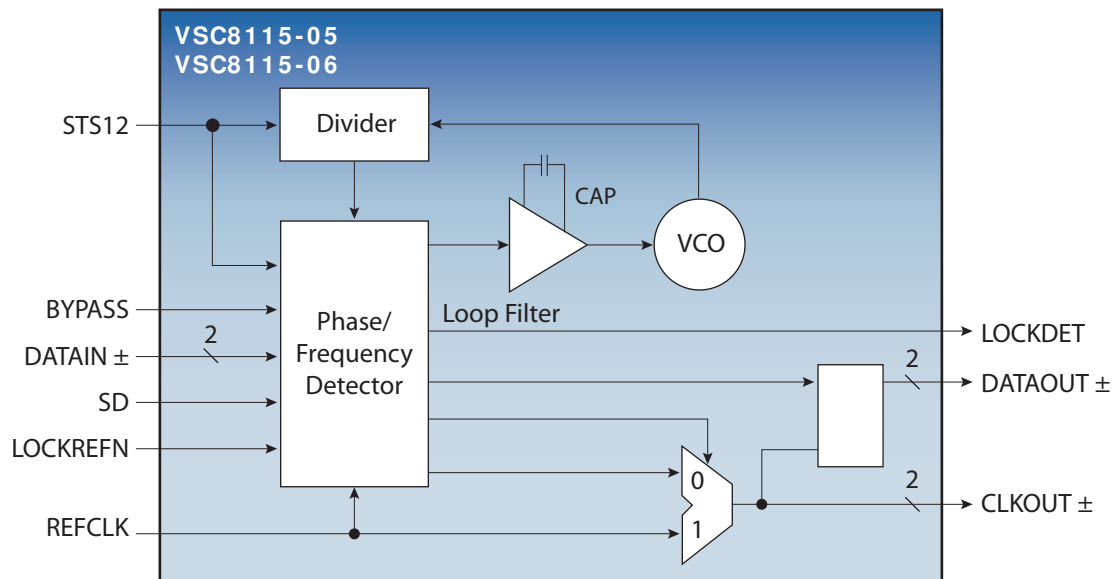
Vitesse's newly improved multirate clock and data recovery (CDR) devices provide exceptional input sensitivity, jitter tolerance, and jitter transfer performance.

The VSC8115-05 and VSC8115-06 devices derive high-speed timing signals for SONET/SDH-based equipment. The devices are designed to operate with SONET framer or ASIC devices to provide a low-power, high-speed clock and data recovery interface for optical networks.

The devices achieve impressive jitter tolerance of 0.45 UI, jitter input sensitivity of 150 mV, and jitter transfer compliance in JMODE. Meets all Telcordia, ANSI, ITU-T, and SONET jitter requirements.

The VSC8115-05 and VSC8115-06 feature signal and lock-detect status outputs, automatic lock-to-reference, and PLL bypass for on-board debugging. High-speed outputs are configurable for either LVPECL or LVDS.

Available in a 20-pin TSSOP package for flexible implementation and simplified layout, the VSC8115-05 device supports commercial temperature ranges, and the VSC8115-06 supports industrial temperature ranges. Both devices come in tape and reel form and are available in lead(Pb)-free versions.



Use the VSC8115-05 or VSC8115-06 for OC-12 (STM-4) and OC-3 (STM-1) NRZ data clocking and recovery.

Features

- Automatic lock-to-reference
- Signal and lock-detect status outputs
- PLL bypass for on-board debugging
- High-speed LVPECL or LVDS outputs

Requirements

- Telcordia, ANSI, ITU-T G.783, and G.825 SDH
- GR-253 CORE and GR-253 ILR SONET
- T1.105.03-2002 SONET

Key Specifications

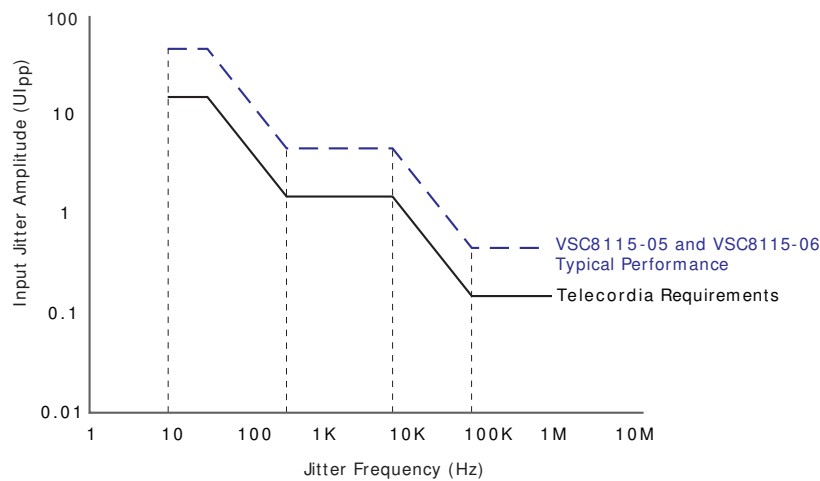
- 3.3 V power supply
- 155 mW typical power dissipation
- Commercial temperature range 0 °C to 85 °C
- Industrial temperature range -40 °C to 95 °C
- 20-pin, 4.4 mm × 6.5 mm TSSOP package

Related Vitesse Products

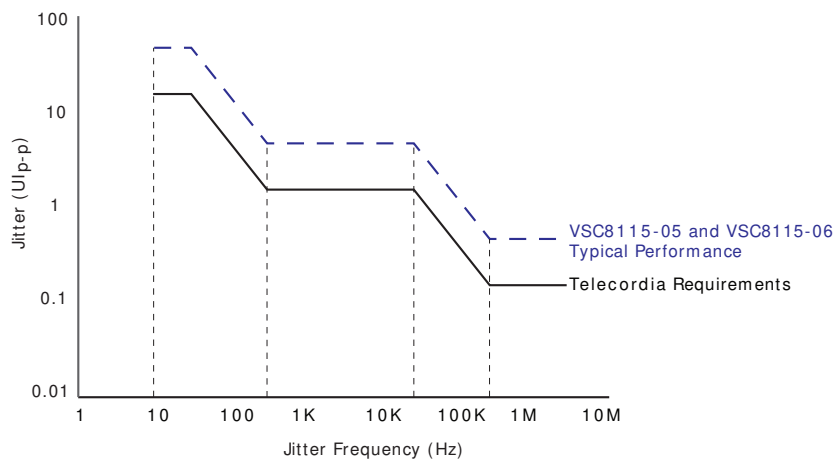
Visit www.vitesse.com for information about these related Vitesse products:

- VSC8115 Multirate Clock and Data Recovery Unit

OC-3 Jitter Tolerance Minimum Specifications



OC-12 Jitter Tolerance Minimum Specifications



Vitesse Semiconductor Corporation

741 Calle Plano • Camarillo, CA 93012 USA • Tel: +1.800.VITESSE • +1.805.388.3700 • Fax: +1.805.987.5896 • www.vitesse.com