



Chipsmall Limited consists of a professional team with an average of over 10 year of expertise in the distribution of electronic components. Based in Hongkong, we have already established firm and mutual-benefit business relationships with customers from,Europe,America and south Asia,supplying obsolete and hard-to-find components to meet their specific needs.

With the principle of “Quality Parts,Customers Priority,Honest Operation,and Considerate Service”,our business mainly focus on the distribution of electronic components. Line cards we deal with include Microchip,ALPS,ROHM,Xilinx,Pulse,ON,Everlight and Freescale. Main products comprise IC,Modules,Potentiometer,IC Socket,Relay,Connector.Our parts cover such applications as commercial,industrial, and automotives areas.

We are looking forward to setting up business relationship with you and hope to provide you with the best service and solution. Let us make a better world for our industry!



Contact us

Tel: +86-755-8981 8866 Fax: +86-755-8427 6832

Email & Skype: info@chipsmall.com Web: www.chipsmall.com

Address: A1208, Overseas Decoration Building, #122 Zhenhua RD., Futian, Shenzhen, China



VSC8142, 8145, 8147

VITESSE

2.5G Multi-rate SONET/SDH Transceiver Family



SPECIFICATIONS:

VSC8142

- ▶ Rates: OC-48/12/3, FEC, GbE, Fibre Channel and Other Various Data Rates
- ▶ Power Dissipation: 700mW
- ▶ Selectable Reference Clock Frequency (78MHz or 155MHz)
- ▶ Supply Voltage: 2.5V or Optional 2.5V/3.3V
- ▶ 23mm x 23mm, 208 BGA Package
- ▶ 16-bit LVPECL Parallel Interface
- ▶ Operating Temperature Ranges: -40°C to +85°C Ambient, 0°C to 70°C Ambient

VSC8145

- ▶ Rates: OC-48/-12/-3, FEC, GbE, Fibre Channel and Other Various Data Rates
- ▶ Power Dissipation: 800mW
- ▶ Selectable Reference Clock Frequency (155MHz or 622MHz)
- ▶ Supply Voltage: 2.5V
- ▶ 21mm x 21mm, 156 BGA Package
- ▶ 4-bit LVDS Parallel Interface
- ▶ Operating Temperature Ranges: -40°C to +85°C Ambient, 0°C to 70°C Ambient

VSC8147

- ▶ Rates: OC-48, FEC
- ▶ Power Dissipation: 800mW
- ▶ Supply Voltage: 2.5V
- ▶ 14mm x 14mm, 100-pin PQFP Package
- ▶ 4-bit LVDS Parallel Interface
- ▶ Operating Temperature Ranges: -40°C to +85°C Ambient, 0°C to 70°C Ambient

FEATURES:

- ▶ OC-48/-12/-3, FEC, GbE, Fibre Channel and Other Various Data Rates
- ▶ Integrated Clock Recovery and Clock Multiplier Units
- ▶ Wide Ranging PLLs with Bypass Capabilities
- ▶ Low-speed Bit Order Swap (MSB/LSB)
- ▶ On-board FIFO with Auto-reset Function
- ▶ High-speed Clock Output Power-down Option
- ▶ LOS Detect with Auto-lock to Reference Clock
- ▶ Facility, Equipment, and Split Loopback Modes
- ▶ 0.18_ CMOS Technology

APPLICATIONS:

- ▶ SONET/SDH Systems
- ▶ DWDM Systems
- ▶ Optical Crossconnects
- ▶ Optical Test Equipment

2.5G Multi-rate SONET/SDH Transceiver Family

GENERAL DESCRIPTION:

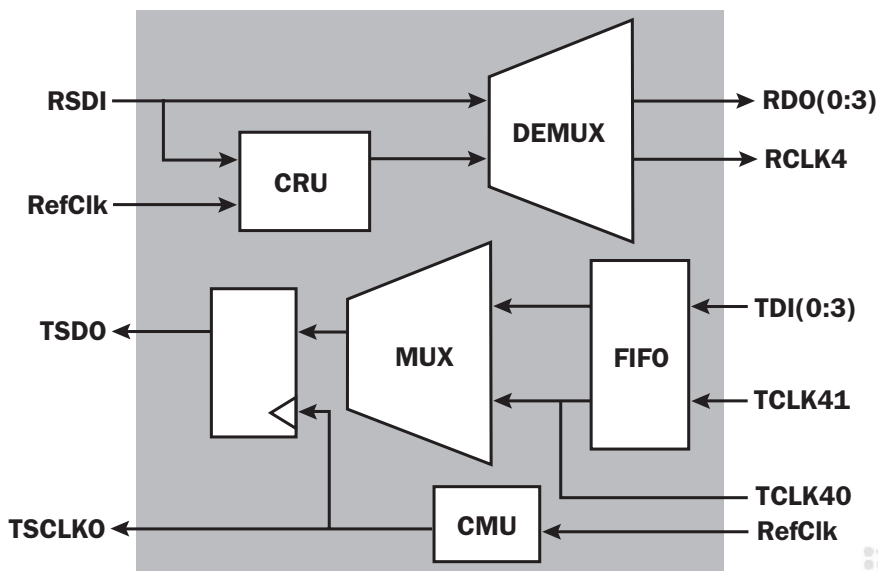


The VSC8142, VSC8145 and VSC8147 are extended multi-rate transceivers with integrated Clock Recovery Unit (CRU) and Clock Multiplier Unit (CMU) for use in SONET/SDH, DWDM, and other optical transport systems. The devices perform all required serialization and deserialization functions for OC-48, OC-12, OC-3, FEC, Gigabit Ethernet, Fibre Channel and FDDI/Fast Ethernet data rates.

The integrated CRU Phase Locked Loop (PLL) recovers the high-speed clock from the input Non-Return to Zero (NRZ) data signal. The integrated CMU PLL multiplies a low-speed reference clock to provide the high-speed serial line clock for internal logic and output retiming. Both CRU and CMU can be bypassed to accommodate rates not supported by the PLLs. The parallel interface incorporates an on-board FIFO with auto-reset to eliminating interfacetiming issues. The devices support serial looptiming as well as Facility, Equipment, and Split loopback modes.

The VSC8142, VSC8145 and VSC8147 exceed the Telecordia and ITU-T standards for jitter generation, tolerance and transfer providing ample design margin. The typical 800mW power dissipation, along with the thermally-enhance packages, eliminates the need for external heatsinks and allow the devices to be used in diverse operating environments. All device are available in commercial and industrial temperature ranges.

BLOCK DIAGRAM:



For more information on Vitesse products, visit the Vitesse web site at www.vitesse.com or contact Vitesse Sales at (800) VITESSE or sales@vitesse.com

BENEFITS:

- ▶ Full SONET/SDH Jitter Compliance:
 - Low Jitter Generation: less than 5mUI (typical)
 - High Jitter Tolerance: exceeds 2x the SONET mask
- ▶ Wide-ranging PLLs that not only Provide Support for the Standard SONET/SDH Rates, but also for:
 - Fibre Channel, 2xFibre Channel
 - Gigabit Ethernet
 - FEC
 - FDDI
 - Fast Ethernet
- ▶ Integrated CRU and CMU can be Bypassed if an External CDR is Required, (e.g. the All-Rate/Adaptive VSC8123 CDR)
- ▶ The Order of the MSB and LSB on the Low-speed Interfaces can be Reversed, Giving the Designer Increased Flexibility When Laying Out the Board
- ▶ On-board FIFO Auto-Reset Function Eliminates the Need to use an External Logic
- ▶ Loss of Signal Detection on High-speed Data Inputs for Robust Line Monitoring Support
- ▶ Automatic Lock to Reference Clock on LOS Detection Provides Continuous Clocking for Upstream Devices
- ▶ Integrated High-speed and Low-speed Test Capabilities Provide System Diagnostic Support

VITESSE

741 Calle Plano
Camarillo, CA 93012, USA
Tel: +1 805.388.3700
Fax: +1 805.987.5896
www.vitesse.com