



Chipsmall Limited consists of a professional team with an average of over 10 year of expertise in the distribution of electronic components. Based in Hongkong, we have already established firm and mutual-benefit business relationships with customers from,Europe,America and south Asia,supplying obsolete and hard-to-find components to meet their specific needs.

With the principle of "Quality Parts,Customers Priority,Honest Operation,and Considerate Service",our business mainly focus on the distribution of electronic components. Line cards we deal with include Microchip,ALPS,ROHM,Xilinx,Pulse,ON,Everlight and Freescale. Main products comprise IC,Modules,Potentiometer,IC Socket,Relay,Connector.Our parts cover such applications as commercial,industrial, and automotives areas.

We are looking forward to setting up business relationship with you and hope to provide you with the best service and solution. Let us make a better world for our industry!



Contact us

Tel: +86-755-8981 8866 Fax: +86-755-8427 6832

Email & Skype: info@chipsmall.com Web: www.chipsmall.com

Address: A1208, Overseas Decoration Building, #122 Zhenhua RD., Futian, Shenzhen, China



VSC8257

Quad Channel 1G/10GBASE-KR to SFI Ethernet WIS PHY with VeriTime™

VSC8257 is a quad 1G/10G serial-to-serial Ethernet PHY featuring VeriTime™, Microsemi's IEEE 1588v2 network timing technology. It also supports dual-sided 10GBASE-KR functionality including auto-negotiation and training in a small form factor, low-power FCBGA ideal for a wide array of board-level signal integrity designs and system-level IEEE standard compliant Ethernet connectivity.

VeriTime™ is Microsemi's patent-pending network timing technology that delivers the industry's most accurate IEEE 1588v2 implementation. It is the only IEEE 1588v2 solution to be validated by major OEMs in real-world tests, and it has already been adopted as the preferred low-cost upgrade for meeting emerging requirements in 4G/LTE-Advanced (LTE-A). The VSC8257 device supports both 1-step and 2-step PTP frames for ordinary clock, boundary clock, and transparent clock modes of operation, along with complete Y.1731 OAM performance monitoring capabilities.

Target applications for the VSC8257 device include switching, IP edge router connectivity, rack mount server access through backplane, fiber and copper cable connectivity, and standalone server access (in LAN on motherboard designs or separate network adapters).

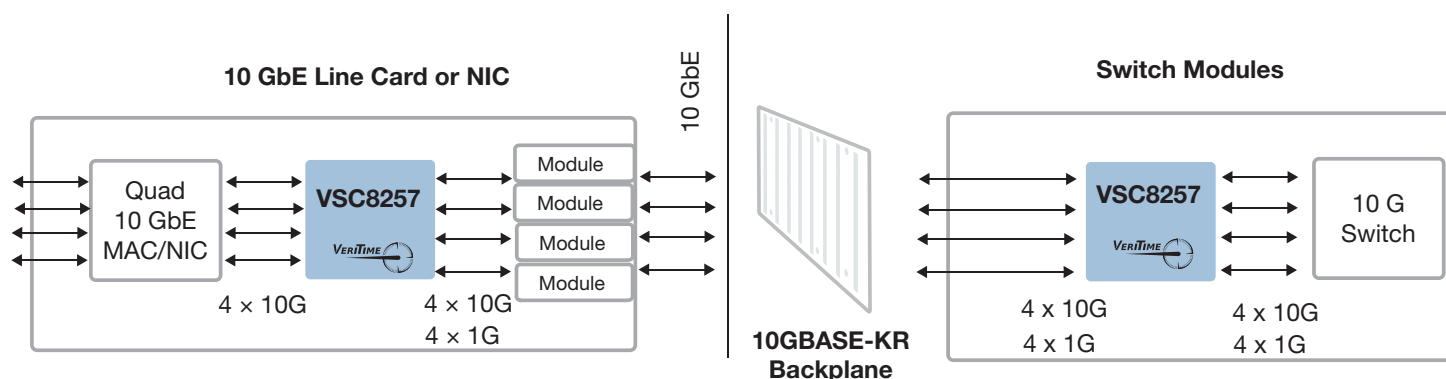
The device delivers excellent jitter attenuation with low power. It is also well-suited for SFP+ and QSFP+ based optical modules and direct attach copper cabling as well as challenging backplane interface applications.

Highlights

- Standards supported include IEEE 1588v2/Y.1731 OAM (4 ns), IEEE 802.3ae, IEEE 802.3ap, SFF-8431, ITU-T G.8261, and ITU-T G.8262
- Support for 10G LAN, 10G WAN, and 1G modes
- Support for SFP+/QSFP+ line modules and 10GBASE-KR backplanes between 1.25 Gbps and 10.3125 Gbps (including auto-negotiation and training)

Applications

- Multi-port serial-to-serial signal conditioning
- 10GBASE-KR-compliant backplane transceivers
- Networks requiring high-accuracy time synchronization
- Multi-port XFI/KR to SFI/SFP+ 10 GbE switch cards, router cards, and network adapters



VSC8257

Quad Channel 1G/10GBASE-KR to SFI Ethernet WIS PHY with VeriTime™

Built-in Self-Test and SyncE

The VSC8257 device provides a complete suite of on-chip instrumentation including built-in self-test (BIST) functions, line-side and client-side circuit loopbacks, pattern generation, and error detection. Its highly flexible clocking options support LAN and WAN operation using a single 156.25 MHz reference clock rate. Support for Synchronous Ethernet (SyncE) is also included.

Range of Support

- IEEE 1588v2/Y.1731 OAM precision timing support at 1.25 Gbps and 10.3 Gbps
- Compliant with IEEE 802.3-2012 and SFF-8431 electrical (SFI) specifications
- 9.95 Gbps WAN and 10.3 Gbps LAN operation, as well as 1.25 Gbps Ethernet support
- Standard SFP+ and QSFP+ applications
- 10GBASE-KR (IEEE 802.3-2012) for 10G backplanes, including 1.25 Gbps and 10.3 Gbps auto-negotiation
- Adaptive equalization receiver and programmable multi-tap transmitter pre-emphasis
- SPI, MDIO, and two-wire serial slave management interfaces

Key Specifications

- 1.2 W, typical, for each bidirectional channel
- 1.2 V and 1.0 V core power supplies (2.5 V TTL supply)

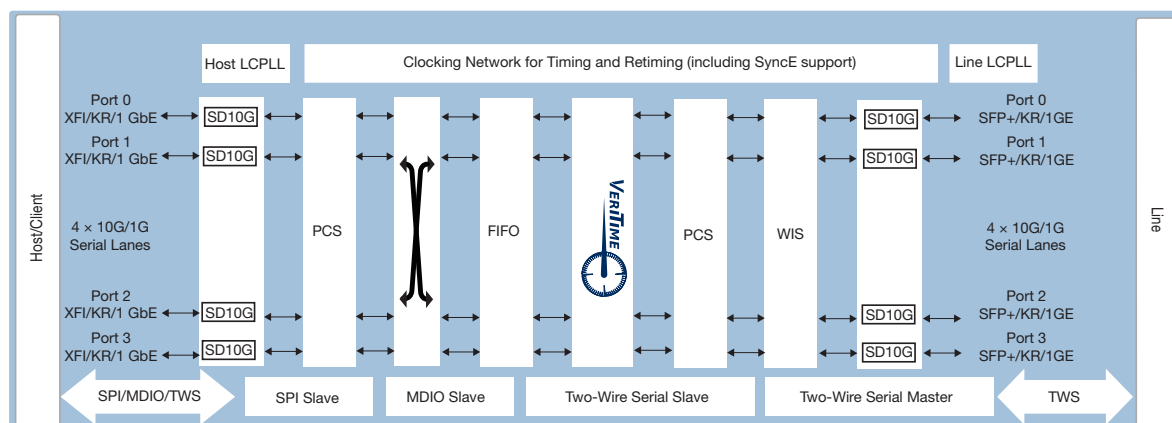
Flexibility and Tools

- VScope input signal monitoring integrated circuit
- Host-side and line-side loopbacks with BIST functions
- I/O programmability for lane swap, invert, amplitude, slew, pre-emphasis, and equalization
- Optional forward error correction (FEC)
- Flexible clocking options that enable Layer 1 support for Synchronous Ethernet
- Passive copper cable support for lowest connectivity cost

Related Products

Visit www.microsemi.com for information about these related products:

- VSC8256 and VSC8258
- VSC8489, VSC8490, and VSC8491
- VSC8582 and VSC8584
- VSC7442, VSC7444, and VSC7448
- VSC7460, VSC7462, and VSC7468



Microsemi

Microsemi Corporate Headquarters
 One Enterprise, Aliso Viejo, CA 92656 USA
 Within the USA: +1 (800) 713-4113
 Outside the USA: +1 (949) 380-6100
 Sales: +1 (949) 380-6136
 Fax: +1 (949) 215-4996
 email: sales.support@microsemi.com
www.microsemi.com

Microsemi Corporation (Nasdaq: MSCC) offers a comprehensive portfolio of semiconductor and system solutions for communications, defense and security, aerospace, and industrial markets. Products include high-performance and radiation-hardened analog mixed-signal integrated circuits, FPGAs, SoCs, and ASICs; power management products; timing and synchronization devices and precise time solutions; voice processing devices; RF solutions; discrete components; enterprise storage and communications solutions, security technologies, and scalable anti-tamper products; Ethernet solutions; Power-over-Ethernet ICs and midspans; custom design capabilities and services. Microsemi is headquartered in Aliso Viejo, California, and has approximately 4,800 employees worldwide. Learn more at www.microsemi.com.