



Chipsmall Limited consists of a professional team with an average of over 10 year of expertise in the distribution of electronic components. Based in Hongkong, we have already established firm and mutual-benefit business relationships with customers from,Europe,America and south Asia,supplying obsolete and hard-to-find components to meet their specific needs.

With the principle of “Quality Parts,Customers Priority,Honest Operation,and Considerate Service”,our business mainly focus on the distribution of electronic components. Line cards we deal with include Microchip,ALPS,ROHM,Xilinx,Pulse,ON,Everlight and Freescale. Main products comprise IC,Modules,Potentiometer,IC Socket,Relay,Connector.Our parts cover such applications as commercial,industrial, and automotives areas.

We are looking forward to setting up business relationship with you and hope to provide you with the best service and solution. Let us make a better world for our industry!



Contact us

Tel: +86-755-8981 8866 Fax: +86-755-8427 6832

Email & Skype: info@chipsmall.com Web: www.chipsmall.com

Address: A1208, Overseas Decoration Building, #122 Zhenhua RD., Futian, Shenzhen, China



NVMe PCIe SSD 2.5" SSD Manual



NVMe PCIe SSD is a non-volatile, solid-state storage device delivering uncompromising performance, reliability and ruggedness for environmentally challenging applications.

Manual	10/2/2017
PSFN22xxxxWxxx_SM963	Viking Technology
Revision C	Page 1 of 57

Revision History

Date	Revision	Description	Checked By
9/29/16	A	Initial Release from modified PSFN22xxxxUxxx_C and vendor doc 1.0. Removed AES-256 capability (not enabled in the firmware)add VSFN227T68WCGWSM	
3/13/2017	B	Rename document to distinguish between SM and PM. Modify from PSFN22xxxxWxxx_PM963_B and change PN's, TLC to MLC, performance, DWPD TBW and remove higher capacity SSD's	
10/2/17	C	change VSFN22480GWCFVSM to VSFN22480GWCHVSM	

Manual	10/2/2017
PSFN22xxxxWxxx_SM963	Viking Technology
Revision C	Page 2 of 57

Legal Information

Legal Information

Copyright© 2017 Sanmina Corporation. All rights reserved. The information in this document is proprietary and confidential to Sanmina Corporation. No part of this document may be reproduced in any form or by any means or used to make any derivative work (such as translation, transformation, or adaptation) without written permission from Sanmina. Sanmina reserves the right to revise this documentation and to make changes in content from time to time without obligation on the part of Sanmina to provide notification of such revision or change.

Sanmina provides this documentation without warranty, term or condition of any kind, either expressed or implied, including, but not limited to, expressed and implied warranties of merchantability, fitness for a particular purpose, and non-infringement. While the information contained herein is believed to be accurate, such information is preliminary, and should not be relied upon for accuracy or completeness, and no representations or warranties of accuracy or completeness are made. In no event will Sanmina be liable for damages arising directly or indirectly from any use of or reliance upon the information contained in this document. Sanmina may make improvements or changes in the product(s) and/or the program(s) described in this documentation at any time.

Sanmina, Viking Technology, Viking Modular Solutions, and Element logo are trademarks of Sanmina Corporation. Other company, product or service names mentioned herein may be trademarks or service marks of their respective owners.

Manual	10/2/2017
PSFN22xxxxWxxx_SM963	Viking Technology
Revision C	Page 3 of 57

Ordering Information: 2.5 inch PCIe SSD Solid-State Drive

Part Numbers	Interface	Application	Useable Capacity (GB) ¹	SR-IOV	Port	Temperature Range	NAND
VSFN22480GWCHVSM	PCIe/NVMe	Client SM963	480 GB	N	Single	(0 to +70°c)	Samsung MLC
VSFN22960GWCFVSM	PCIe/NVMe	Client SM963	960 GB	N	Single	(0 to +70°c)	Samsung MLC
VSFN221T92WCFVSM	PCIe/NVMe	Client SM963	1920 GB	N	Single	(0 to +70°c)	Samsung MLC

Notes:

1. Usable capacity based on a level of over-provisioning applied to wear leveling, bad sectors, index tables etc.
2. SSD's ship unformatted from the factory unless otherwise requested.
3. 1 GB = 1,000,000,000 Byte
4. One Sector = 512 Byte.

Manual	10/2/2017
PSFN22xxxxWxxx SM963	Viking Technology
Revision C	Page 4 of 57

Product Picture(s)



Manual	10/2/2017
PSFN22xxxxWxxx SM963	Viking Technology
Revision C	Page 5 of 57

Table of Contents

1	INTRODUCTION	11
1.1	Features	11
1.2	PCIE Interface	12
2	PRODUCT SPECIFICATIONS	13
2.1	Capacity and LBA count	13
2.2	Performance	14
2.3	Timing / Latency	14
2.4	Quality of Service (QoS)	15
2.5	Electrical Characteristics	15
2.5.1	Absolute Maximum Ratings	15
2.5.2	Supply Voltage	16
2.5.3	Power Consumption	16
2.6	Environmental Conditions	16
2.6.1	Temperature and Altitude	16
2.6.2	Shock and Vibration	16
2.6.3	Electromagnetic Immunity	17
2.7	Reliability	17
2.8	Data Security	17
2.8.1	Power Loss Protection	17
2.8.2	Sudden Power Off and Recovery	17
3	MECHANICAL INFORMATION	19
3.1	Dimensions	19
3.2	2.5 inch SSD Weight	24
4	PIN AND SIGNAL DESCRIPTIONS	24
4.1	Signal and Power Description Tables	24

Manual	10/2/2017
PSFN22xxxxWxxx_SM963	Viking Technology
Revision C	Page 6 of 57

5	PCIE AND NVM EXPRESS REGISTERS	26
5.1	PCI Express Registers	26
5.1.1	PCI Register Summary	26
5.1.2	PCI Header Registers	26
5.1.3	PCI Power Management Registers	30
5.1.4	Message Signaled Interrupt Registers	31
5.1.5	MSI-X Registers	32
5.1.6	PCI Express Capability Registers	34
5.1.7	Advanced Error Reporting Registers	38
5.1.8	Device Serial Number Capability Register	44
5.1.9	Power Budgeting Extended Capability	44
5.1.10	Latency Tolerance Reporting Capability Registers	45
5.1.11	L1 Substates Capability Registers	45
5.2	NVM Express Registers	46
5.2.1	Register Summary	46
5.2.2	Controller Registers	47
6	SUPPORTED COMMAND SET	50
6.1	Admin Command Set	50
6.1.1	Identify Command	50
6.2	NVM Express I/O Command Set	55
6.3	SMART/Health Information	56
7	PRODUCT COMPLIANCE	57
8	REFERENCES	57

Manual	10/2/2017
PSFN22xxxxWxxx_SM963	Viking Technology
Revision C	Page 7 of 57

Table of Tables

Table 2-1: Maximum Sustained Read and Write Bandwidth	14
Table 2-4: Maximum Random Read and Write Input/Output Operations per Second (IOPS)	14
Table 2-5: Timing Specifications	14
Table 2-6: Operating Voltage	16
Table 2-7: Typical Power Consumption at 12V	16
Table 2-8: Temperature and Altitude Related Specifications	16
Table 2-9: Shock and Vibration Specifications	16
Table 2-10: Reliability Specifications	17
Table 3-1: 2.5 inch SSD weight	24
Table 4-1: 2.5 inch PCIE Connector Pinouts	24
Table 5-1: PCI Register Summary	26
Table 5-2: PCI Header Register Summary	26
Table 5-3: Identifier Register	27
Table 5-4: Command Register	27
Table 5-5: Device Status Register	28
Table 5-6: Revision ID Register	28
Table 5-7: Class Code Register	28
Table 5-8: Cache Line Size Register	28
Table 5-9: Master Latency Timer Register	28
Table 5-10: Header Type Register	28
Table 5-11: Built-in Self Test Register	29
Table 5-12: Memory Register Base Address Lower 32-bits (BAR0) Register	29
Table 5-13: Memory Register Base Address Upper 32-bits (BAR1) Register	29
Table 5-14: Index/Data Pair Register Base Address (BAR2) Register	29
Table 5-15: BAR3 Register	29
Table 5-16: Vendor Specific BAR4 Register	29
Table 5-17: Vendor Specific BAR5 Register	29
Table 5-18: Subsystem Identifier Register	29
Table 5-19: Expansion ROM Register	30
Table 5-20: Capabilities Pointer Register	30
Table 5-21: Interrupt Information Register	30
Table 5-22: Minimum Grant Register	30
Table 5-23: Maximum Latency Register	30
Table 5-24: PCI Power Management Capability Register Summary	30
Table 5-25: PCI Power Management Capability ID Register	30
Table 5-26: PCI Power Management Capability Register	31
Table 5-27: PCI Power Management Control and Status Register	31
Table 5-28: Message Signaled Interrupt Capability Register Summary	31
Table 5-29: Message Signaled Interrupt Capability ID Register	31
Table 5-30: Message Signaled Interrupt Control Register	32
Table 5-31: Message Signaled Interrupt Lower Address Register	32
Table 5-32: Message Signaled Interrupt Upper Address Register	32
Table 5-33: Message Signaled Interrupt Message Data Register	32
Table 5-34: Message Signaled Interrupt Masked Bits Register	32
Table 5-35: Message Signaled Interrupt Pending Bits Register	32
Table 5-36: MSI-X Capability Register Summary	32
Table 5-37: MSI-X Identifier Register	33
Table 5-38: MSI-X Control Register	33
Table 5-39: MSI-X Table Offset Register	33

Manual	10/2/2017
PSFN22xxxxWxxx_SM963	Viking Technology
Revision C	Page 8 of 57

Table 5-40: MSI-X Pending Bit Array Offset Register	33
Table 5-41: PCI Express Capability Register Summary	34
Table 5-42: PCI Express Capability ID Register	34
Table 5-43: PCI Express Capabilities Register	34
Table 5-44: PCI Express Device Capabilities Register	34
Table 5-45: PCI Express Device Control Register	35
Table 5-46: PCI Express Device Status Register	35
Table 5-47: PCI Express Device Link Capabilities Register	35
Table 5-48: PCI Express Device Link Control Register	36
Table 5-49: PCI Express Device Link Status Register	36
Table 5-50: PCI Express Device Capabilities 2 Register	36
Table 5-51: PCI Express Device Control 2 Register	37
Table 5-52: PCI Express Device Status 2 Register	37
Table 5-53: PCI Express Link Capabilities 2 Register	37
Table 5-54: PCI Express Link Control 2 Register	37
Table 5-55: PCI Express Link Status 2 Register	38
Table 5-56: Advanced Error Reporting Capability Register Summary	38
Table 5-57: AER Capability ID Register	38
Table 5-58: AER Uncorrectable Error Status Register	39
Table 5-59: AER Uncorrectable Error Mask Register	39
Table 5-60: AER Uncorrectable Error Severity Register	40
Table 5-61: AER Correctable Error Status Register	40
Table 5-62: AER Correctable Error Mask Register	40
Table 5-63: AER Capabilities and Control Register	41
Table 5-64: AER Header Log Register	41
Table 5-65: AER TLP Prefix Log Register	41
Table 5-66: Secondary PCI Express Capability Register Summary	42
Table 5-67: Secondary PCI Express Capability ID Register	42
Table 5-68: PCI Express Link Control 3 Register	43
Table 5-69: PCI Express Lane Error Status Register	43
Table 5-70: PCI Express Lane 0 Equalization Register	43
Table 5-71: PCI Express Lane 1 Equalization Register	43
Table 5-72: PCI Express Lane 2 Equalization Register	43
Table 5-73: PCI Express Lane 3 Equalization Register	43
Table 5-74: Device Serial Number Capability Register Header	44
Table 5-75: Serial Number Register Header (offset 0x4/0x8)	44
Table 5-76: Power Budgeting Extended Capability Header	44
Table 5-77: Data Register	44
Table 5-78: Power Budget Capability Register	44
Table 5-79: LTR Extended Capability Header	45
Table 5-80: LTR Max Snoop latency Register	45
Table 5-81: LTR Max No Snoop latency Register	45
Table 5-82: L1 Substates Extended Capability Header	45
Table 5-83: L1 Substates Capability Register	45
Table 5-84: L1 Substates Control1 Register	46
Table 5-85: L1 Substates Control2 Register	46
Table 5-86: Register Summary	46
Table 5-87: Controller Capabilities	47
Table 5-88: Version	47
Table 5-89: Interrupt Mask Set	47
Table 5-90: Interrupt Mask Clear	48
Table 5-91: Controller Configuration	48

<i>Table 5-92: Controller Status</i>	48
<i>Table 5-93: Admin Queue Attributes</i>	49
<i>Table 5-94: Admin Submission Queue Base Address</i>	49
<i>Table 5-95: Admin Completion Queue Base Address</i>	49
<i>Table 5-96: Submission Queue Tail y Doorbell</i>	49
<i>Table 5-97: Completion Queue Head y Doorbell</i>	49
<i>Table 6-1: Opcode for Admin Commands</i>	50
<i>Table 6-2: Identify Controller Data Structure</i>	50
<i>Table 6-3: Identify Power State Descriptor Data Structure</i>	53
<i>Table 6-4: Identify Namespace Data Structure</i>	53
<i>Table 6-5: LBA Format 0 Data Structure</i>	55
<i>Table 6-6: Opcode for NVM Express I/O Commands</i>	55
<i>Table 6-7: SMART/Health Information Log</i>	56
<i>Table 7-1: Product Compliance Certifications</i>	57

Table of Figures

<i>Figure 2-1: Sudden Power on-off operation</i>	18
<i>Figure 3-1: SDD Dimensions</i>	19
<i>Figure 3-2: SDD Dimensions, Side View</i>	20
<i>Figure 3-3: SDD Dimensions, Top View 1</i>	21
<i>Figure 3-4: Dimensions</i>	22
<i>Figure 3-5: Dimension Details for 2.5 inch connector</i>	23

1 Introduction

Viking's 2.5 inch SSD presents outstanding performance with instant responsiveness to the host system, by applying the Peripheral Component Interconnect Express (PCIe) 3.0 interface standard, as well as highly efficient Non-Volatile Memory Express (NVMe) Protocol.

The Viking's 2.5 inch SSD delivers wide bandwidth of up to 2100MB/s for sequential read speed and up to 1400 MB/s for sequential write speed under 7W of power. With the help of Toggle 2.0 NAND Flash interface, the Viking's 2.5 inch SSD delivers random performance of up to 430K IOPS for random 4KB read and up to 40K IOPS for random 128KB write in the sustained state.

By combining the enhanced reliability of NAND Flash memory silicon with NAND Flash management technologies, the Viking's 2.5 inch SSD delivers the extended endurance suitable for enterprise applications, in 2.5 inch form factor.

In addition, the Viking's 2.5 inch SSD supports Power Loss Protection that can guarantee that data issued by the host system are written to the storage media without any loss in the event of sudden power off or sudden power failure. Inrush current handler can protect the internal components from the electrical and physical damages.

1.1 Features

The SSD delivers the following features:

- Native-PCIe SSD for enterprise application
- LPDDR3 DRAM Buffer Memory
- PCI Express Gen3: Single port X4 lanes
- Compliant with PCI Express Base Specification Rev. 3.0
- Compliant with NVM Express Specification Rev.1.1a
- Enhanced Power-Loss Data Protection
- End-to-End Data Protection
- Support SSD Enhanced S.M.A.R.T. Feature Set
- Static and Dynamic Wear Leveling
- RoHS / Halogen-Free Compliant

Manual	10/2/2017
PSFN22xxxxWxxx_SM963	Viking Technology
Revision C	Page 11 of 57

1.2 PCIE Interface

- PCI Express Gen3:
- Compliant with PCI Express Base Specification Rev. 3.0
- Compliant with NVM Express Specification Rev.1.1a

For a list of supported commands and other specifics, please see Chapter 5.

Manual	10/2/2017
PSFN22xxxxWxxx SM963	Viking Technology
Revision C	Page 12 of 57

2 Product Specifications

2.1 Capacity and LBA count

Raw Capacity (GB)	User Capacity (GB)	LBA Count
16	14	27,370,224
16	16	31,277,232
32	30	58,626,288
32	32	62,533,296
64	60	117,231,408
64	64	125,045,424
128	120	234,441,648
128	128	250,069,680
256	240	468,862,128
256	256	500,118,192
512	480	937,703,088
512	512	1,000,215,216
na	800	1,562,824,368
1024	960	1,875,385,008
1024	1024	2,000,409,264
na	1600	3,125,627,568
2048	1920	3,750,748,848
2048	2048	4,000,797,360
4000	3200	6,251,233,968
4000	3840	7,501,476,528

Notes:

- Per www.idema.org, LBA1-03 spec,

$$\text{LBA counts} = (97,696,368) + (1,953,504 * (\text{Advertised Capacity in GBytes} - 50))$$
- GB capacities based on power of 10, GiB capacities are based on powers of 2

2.2 Performance

Table 2-1: Maximum Sustained Read and Write Bandwidth

Access Type	480GB	960GB	1920GB
Sequential Read, 256K, MB/s	Up to 1200	Up to 2000	Up to 2100
Sequential Write, 256K, MB/s	Up to 900	Up to 1400	Up to 1400

Notes:

1. Based on PCI Express Gen3 x4, Random performance measured using FIO 2.1.3 in Linux RHEL 6.5(Kernel 2.6.32) with queue depth 32 by 4 workers and Sequential performance with queue depth 32 by 1 worker. Actual performance may vary depending on use conditions and environment.
2. Refer to Application Note AN0006 for Viking SSD Benchmarking Methodology.
3. Tested on Oakgate at 100% entropy

Table 2-2: Maximum Random Read and Write Input/Output Operations per Second (IOPS)

Access Type	480GB	1920GB	3.8GB
Read, 4K, IOPS	Up to 350K	Up to 430K	Up to 430K
Write, 4K, IOPS	Up to 23K	Up to 33K	Up to 40K

Notes:

1. Based on PCI Express Gen3 x4, Random performance measured using FIO 2.1.3 in Linux RHEL 6.5(Kernel 2.6.32) with queue depth 32 by 4 workers and Sequential performance with queue depth 32 by 1 worker. Actual performance may vary depending on use conditions and environment.

2.3 Timing / Latency

Table 2-3: Timing Specifications

Type	480 (GB)	960, 1920 (GB)
Random Read/Write Latency	85/50 us	85/50 us
Sequential Read/Write Latency	15/45 us	15/45 us
Power On Ready (POR), Drive Ready Time, 3840 GB	10 sec	10 sec

Notes:

1. The random latency is measured by using FIO 2.1.3 in Linux RHEL 6.5(Kernel 2.6.32) and 4KB transfer size with queue depth 1 by 1 worker
2. The sequential latency is measured by using FIO 2.1.3 in Linux RHEL 6.5(Kernel 2.6.32) and 4KB transfer size with queue depth 1 by 1 worker

2.4 Quality of Service (QoS)

Quality of Service (99%)	Unit	QD=1	QD=32
Read(4KB)	ms	0.1	0.7 (480GB) 0.5 (960/1920GB)
Write(4KB)	ms	0.1	1.6

Quality of Service (99.99%)	Unit	QD=1	QD=32
Read(4KB)	ms	0.2	1.3 (480GB) 0.8 (960/1920GB)
Write(4KB)	ms	0.2	1.6

Notes:

1. QoS is measured using Fio 2.1.3 (99 and 99.99%) in Linux RHEL 6.5 (Kernel 2.6.32) with queue depth 1, 32 on 4KB random read and write.
2. QoS is measured as the maximum round-trip time taken for 99 and 99.99% of commands to host

2.5 Electrical Characteristics

2.5.1 Absolute Maximum Ratings

Values shown are stress ratings only. Functional operation outside normal operating values is not implied. Extended exposure to absolute maximum ratings may affect reliability.

2.5.2 Supply Voltage

The operating voltage is 12V

Table 2-4: Operating Voltage

Description	Min	Max	Unit
Operating Voltage for 12 V (+/- 8%)	- 8%	+ 8%	V

2.5.3 Power Consumption

All onboard power requirements of the SSD are derived from the PCIe 12V rail.

Table 2-5: Typical Power Consumption at 12V

Capacity	Active Read (max RMS)	Active Write (max RMS)	Idle (typ.)
1920GB	7.4 W	6.7 W	2.4 W
960GB	6.5 W	6.4 W	2.4 W
480GB	5.1 W	5.0 W	2.4 W

Notes:

1. Power consumption was measured in the 12V power pins of the connector plug in SSD. The active and idle power is defined as the highest averaged power value, which is the maximum RMS average value over 100 ms duration.
2. The measurement condition for active power is assumed for 100% sequential read and write.
3. The idle state is defined as the state that the host system can issue any commands into SSD at any time.

2.6 Environmental Conditions

2.6.1 Temperature and Altitude

Table 2-6: Temperature and Altitude Related Specifications

Conditions	Operating	Shipping	Storage
Commercial Temperature- Case ¹	0 to 70°C	-40 to 85°C	-40 to 85°C
Humidity (non-condensing)	-	95% under 65C, 500hrs	95% under 65C

Notes:

1. Tc is measured at the surface of NAND Flash package

2.6.2 Shock and Vibration

SSD products are tested in accordance with environmental specification for shock and vibration

Table 2-7: Shock and Vibration Specifications

Manual	10/2/2017
PSFN22xxxxWxxx SM963	Viking Technology
Revision C	Page 16 of 57

Stimulus	Description
Shock(non-operating)	1500G (0.5ms duration x,y,z with 1/2 sine wave)
Vibration (non-operating)	20 G (20min /axis on 3 axes) (10 ~ 2,000 Hz, Sinusoidal)

2.6.3 Electromagnetic Immunity

2.5 inch is an embedded product for host systems and is designed not to impair with system functionality or hinder system EMI/FCC compliance.

2.7 Reliability

Table 2-8: Reliability Specifications

Parameter	Description		
Uncorrectable Bit Error Rate	1 sector per 10 ¹⁷ bits read		
MTBF	2,000,000 hours		
Read Endurance	Unlimited		
Write Endurance	480GB	960GB	1924GB
	3153 TBW	6307 TBW	12614 TBW
Drive Write per day	3.6 DWPD over 5 years		
Data retention	> 90 days at NAND expiration		

Notes:

1. The reliability specification follows JEDEC standards JESD218A and JESD219A
2. TBW=(GB capacity x DWPD x 365 x years)/1000

2.8 Data Security

2.8.1 Power Loss Protection

By using internal back-up power technology, the Viking SSD supports power loss protection feature to guarantee the reliability of data requested by the host system. When power is unpredictably lost, the SSD can detect automatically this abnormal situation and transfer all user data and meta-data cached in DRAM into the Flash media during any SSD operations.

2.8.2 Sudden Power Off and Recovery

If power interruption is detected, the SSD dumps all cached user data and meta

data to NAND Flash. The SSD could protect even the user data in DRAM from sudden power off while SSD is used with cache on. Commonly, data is protected all of the operation period.

2.8.2.1 Time to Ready Sequence

In normal power-off recovery status, the SSD needs less than 11 seconds to reach operating mode where SSD works perfectly with cache-on state. SSD is ready to respond identify Device command during FTL OPEN. When the sudden power-off occurs, the user data in DRAM will be dumped into the NAND Flash using the stored power in the capacitor. In sudden power-off recovery condition, mapping data will be loaded or the FTL meta data be rebuilt perfectly for initial max. 30 seconds in case of 960GB. During this period, Identify Device command is still supported. This is called Sudden Power Off and Recovery.

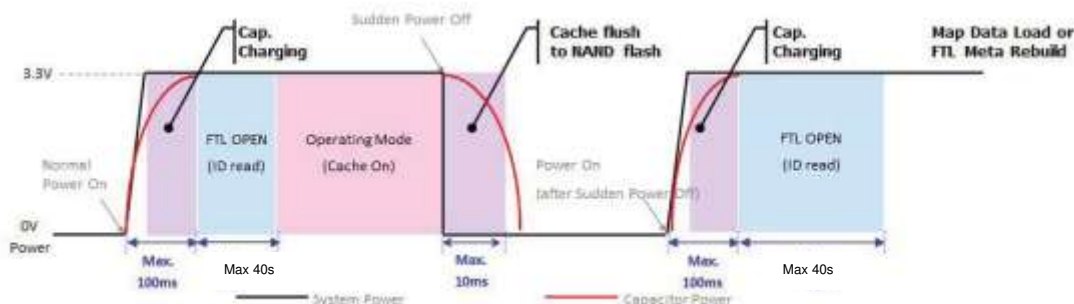


Figure 2-1: Sudden Power on-off operation

FTL Open time

	960GB
<i>FTL open (ID read)</i>	30 sec

3 Mechanical Information

3.1 Dimensions

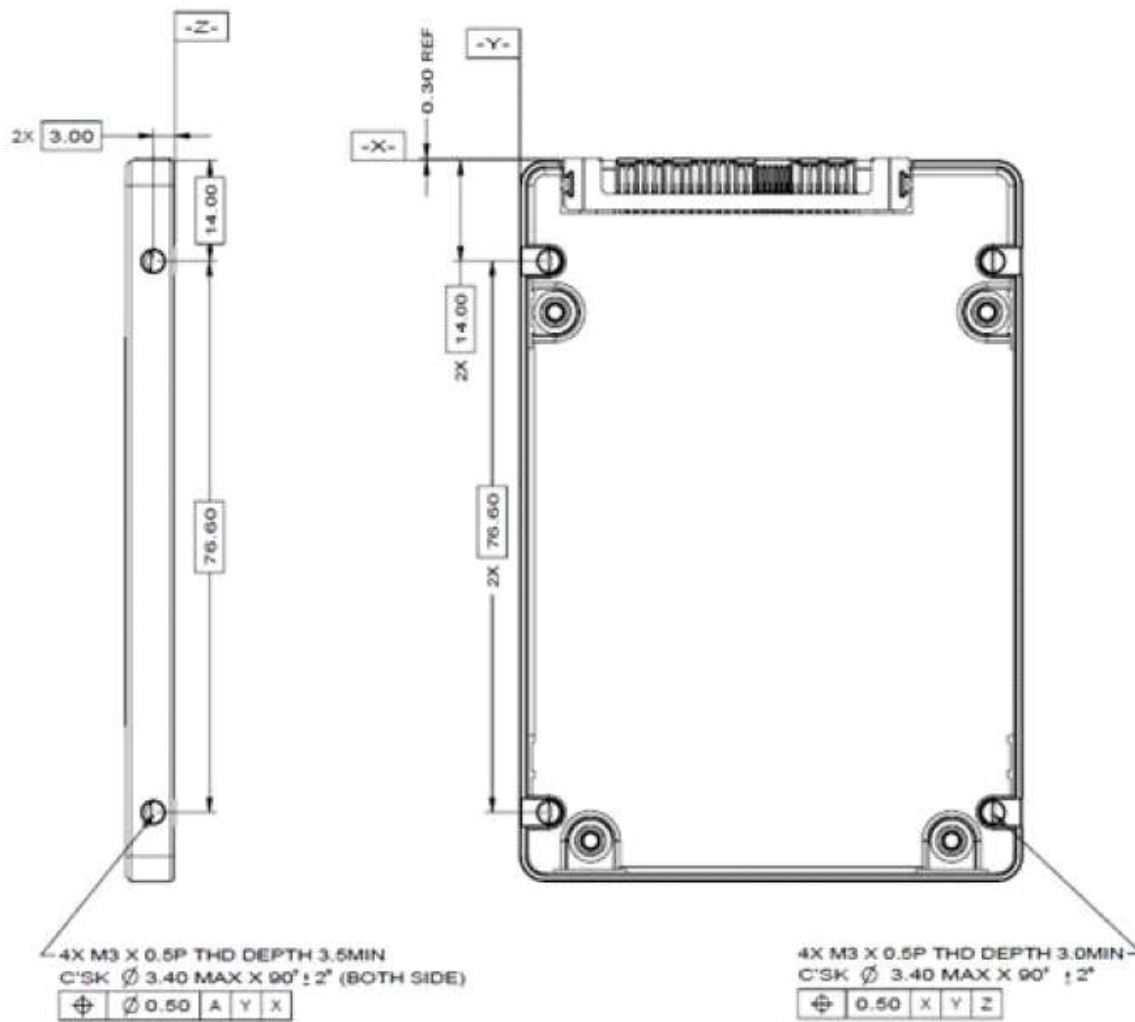


Figure 3-1: SDD Dimensions

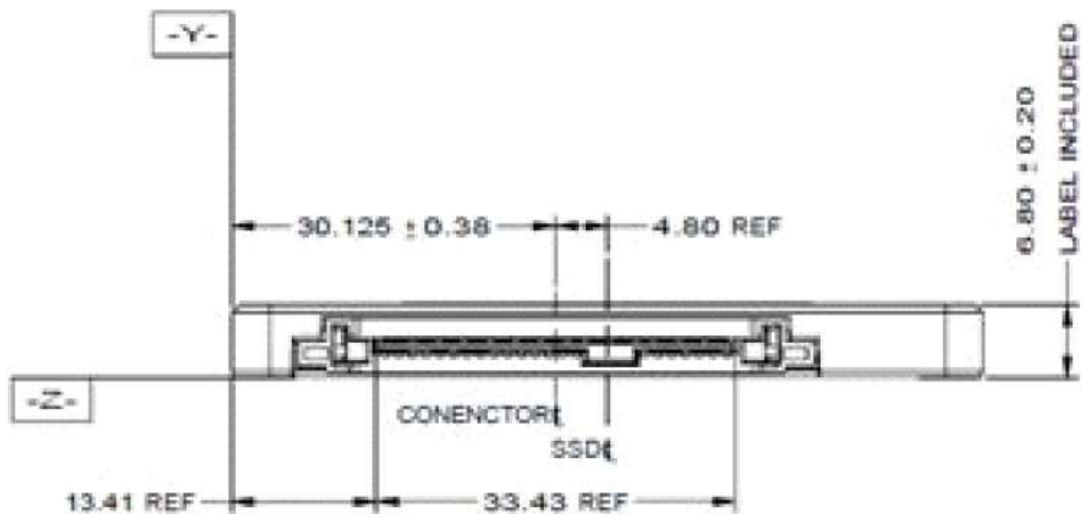


Figure 3-2: SDD Dimensions, Side View

Manual	10/2/2017
PSFN22xxxxWxxx SM963	Viking Technology
Revision C	Page 20 of 57

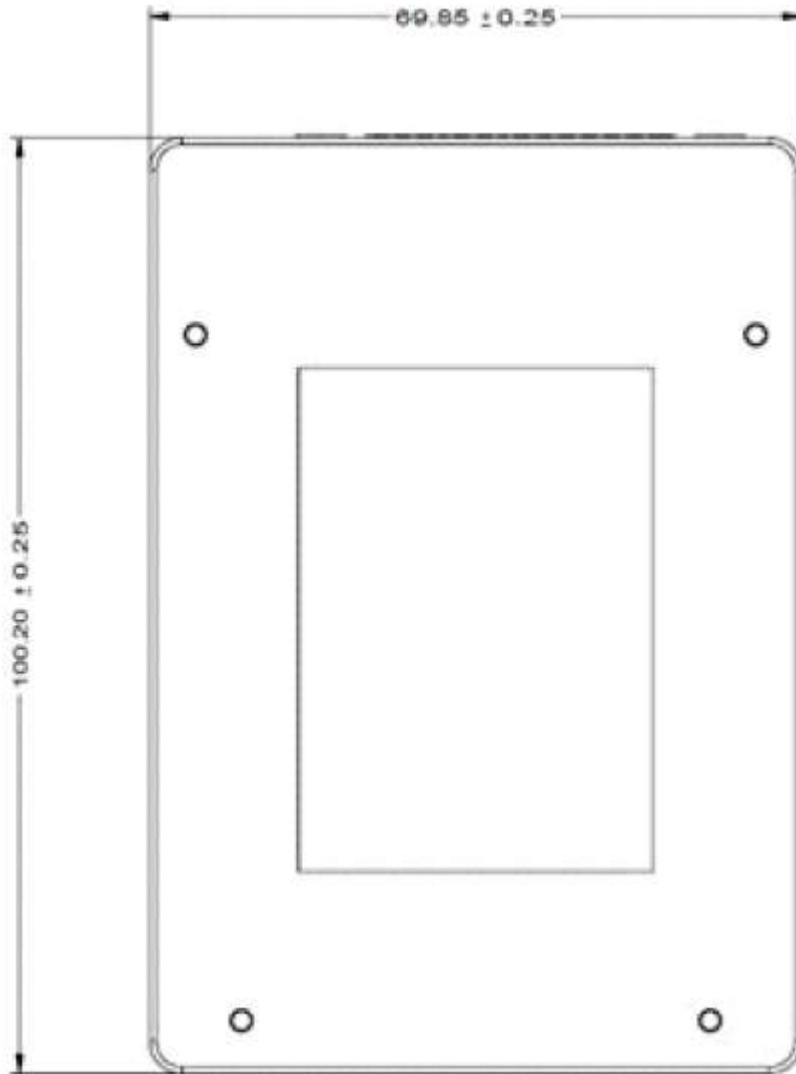


Figure 3-3: SDD Dimensions, Top View 1

Manual	10/2/2017
PSFN22xxxxWxxx SM963	Viking Technology
Revision C	Page 21 of 57

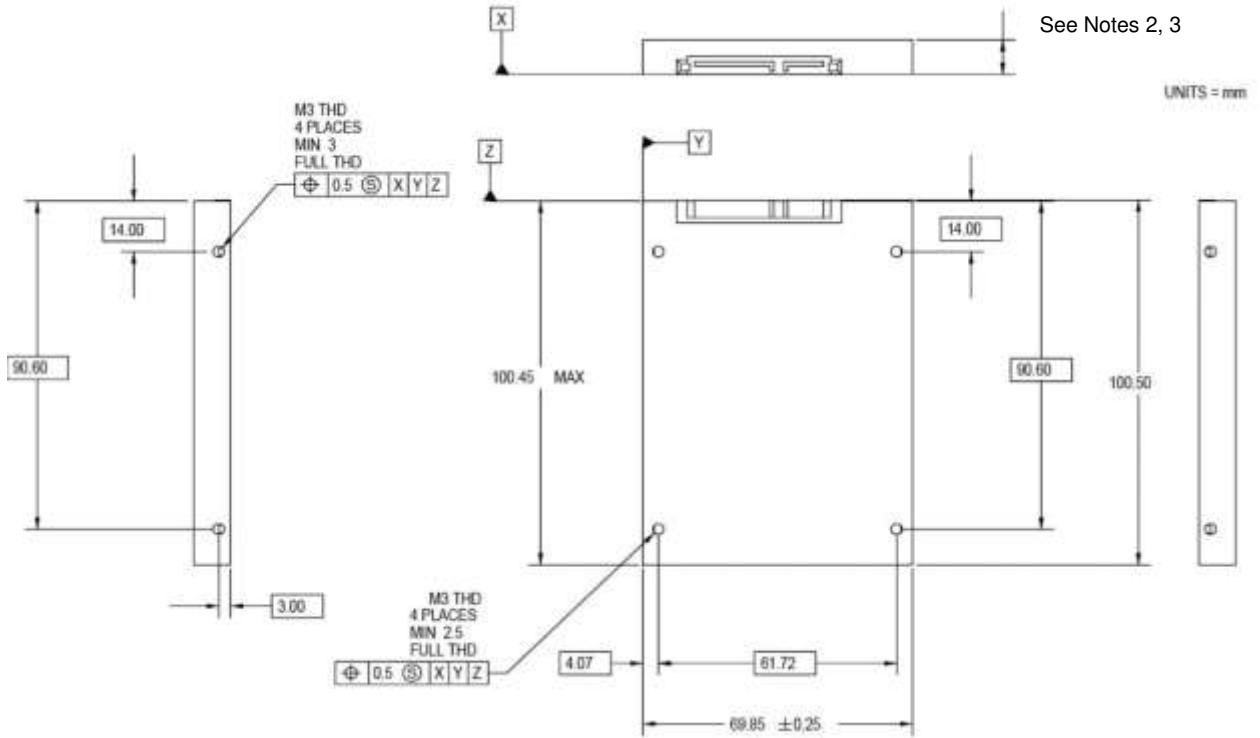


Figure 3-4: Dimensions

Notes:

1. All dimensions are in millimeter. General tolerance is ± 0.15 .

Manual	10/2/2017
PSFN22xxxxWxxx_SM963	Viking Technology
Revision C	Page 22 of 57

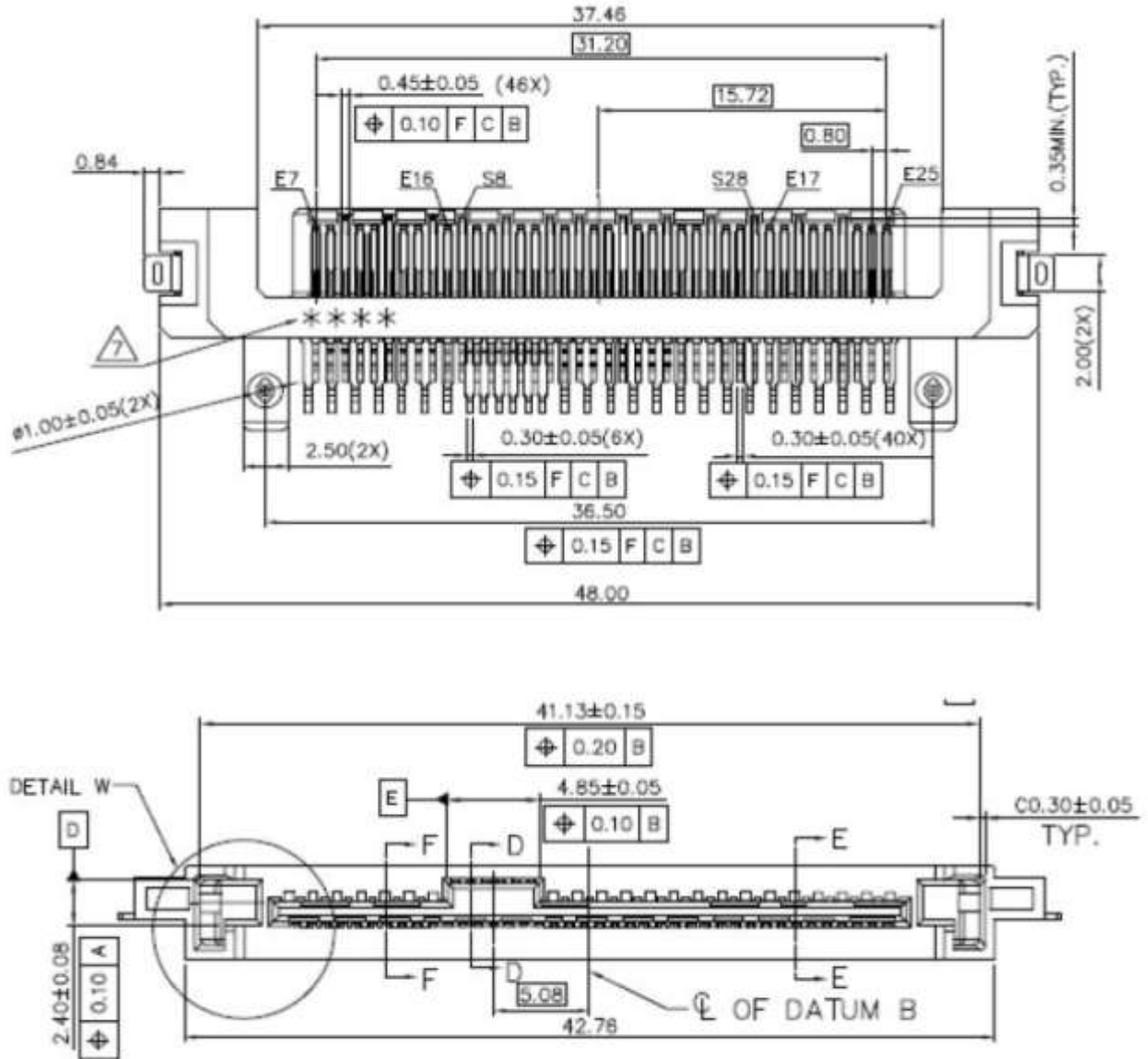


Figure 3-5: Dimension Details for 2.5 inch connector

Notes:

1. FOXCONN connector

3.2 2.5 inch SSD Weight

Table 3-1: 2.5 inch SSD weight

Weight	Unit of measure
Up to 70	Grams

4 Pin and Signal Descriptions

4.1 Signal and Power Description Tables

Table 4-1: 2.5 inch PCIE Connector Pinouts

Pin #	Assignment	Description	Pin #	Assignment	Description
S1	GND	Ground	E7	RefClk0+	PCle Reference Clock +
S2	Not Used	Floated	E8	RefClk0	PCle Reference Clock
S3	Not Used		E9	GND	Ground
S4	GND	Ground	E10	PETp0	PCle Transmit+ (lane 0)
S5	Not Used		E11	PETn0	PCle Transmit- (lane 0)
S6	Not Used		E12	GND	Ground
S7	GND	Ground	E13	PERn0	PCle Receive- (lane 0)
E1	REFCLK1+	Grounded	E14	PERp0	PCle Receive+ (lane 0)
E2	REFCLK1	Grounded	E15	GND	Ground
E3	3.3V AUX		E16	Not Used	
E4	ePERST1#	Floated	S8	GND	Ground
E5	ePERST0#		S9	Not Used	
E6	RSVD		S10	Not Used	
P1	Not Used		S11	GND	Ground
P2	Not Used		S12	Not Used	
P3	Not Used		S13	Not Used	

Pin #	Assignment	Description	Pin #	Assignment	Description
P4	lfdet #	Grounded	S14	GND	Ground
P5	GND	Ground	S15	Not Used	
P6	GND	Ground	S16	GND	Ground
P7	Not Used		S17	PETp1	PCIe Transmit+ (lane 1)
P8	Not Used		S18	PETn1	PCIe Transmit- (lane 1)
P9	Not Used		S19	GND	Ground
P10	PRSNT #	Presence	S20	PERn1	PCIe Receive- (lane 1)
P11	Activity	Drive Active	S21	PERp1	PCIe Receive+ (lane 1)
P12	GND	Ground	S22	GND	Ground
P13	12 V	Primary Power	S23	PETp2	PCIe Transmit+ (lane 2)
P14	12 V	Primary Power	S24	PETn2	PCIe Transmit- (lane 2)
P15	12 V	Primary Power	S25	GND	Ground
			S26	PERn2	PCIe Receive- (lane 2)
			S27	PERp2	PCIe Receive+ (lane 2)
			S28	GND	Ground
			E17	PETp3	PCIe Transmit+ (lane 3)
			E18	PETn3	PCIe Transmit- (lane 3)
			E19	GND	Ground
			E20	PERn3	PCIe Receive- (lane 3)
			E21	PERp3	PCIe Receive+ (lane 3)
			E22	GND	Ground
			E23	SMClk	SMBus Clock
			E24	SMDat	SMBus Data
			E25	DualPortEn#	