



Chipsmall Limited consists of a professional team with an average of over 10 year of expertise in the distribution of electronic components. Based in Hongkong, we have already established firm and mutual-benefit business relationships with customers from,Europe,America and south Asia,supplying obsolete and hard-to-find components to meet their specific needs.

With the principle of “Quality Parts,Customers Priority,Honest Operation,and Considerate Service”,our business mainly focus on the distribution of electronic components. Line cards we deal with include Microchip,ALPS,ROHM,Xilinx,Pulse,ON,Everlight and Freescale. Main products comprise IC,Modules,Potentiometer,IC Socket,Relay,Connector.Our parts cover such applications as commercial,industrial, and automotives areas.

We are looking forward to setting up business relationship with you and hope to provide you with the best service and solution. Let us make a better world for our industry!



## Contact us

Tel: +86-755-8981 8866 Fax: +86-755-8427 6832

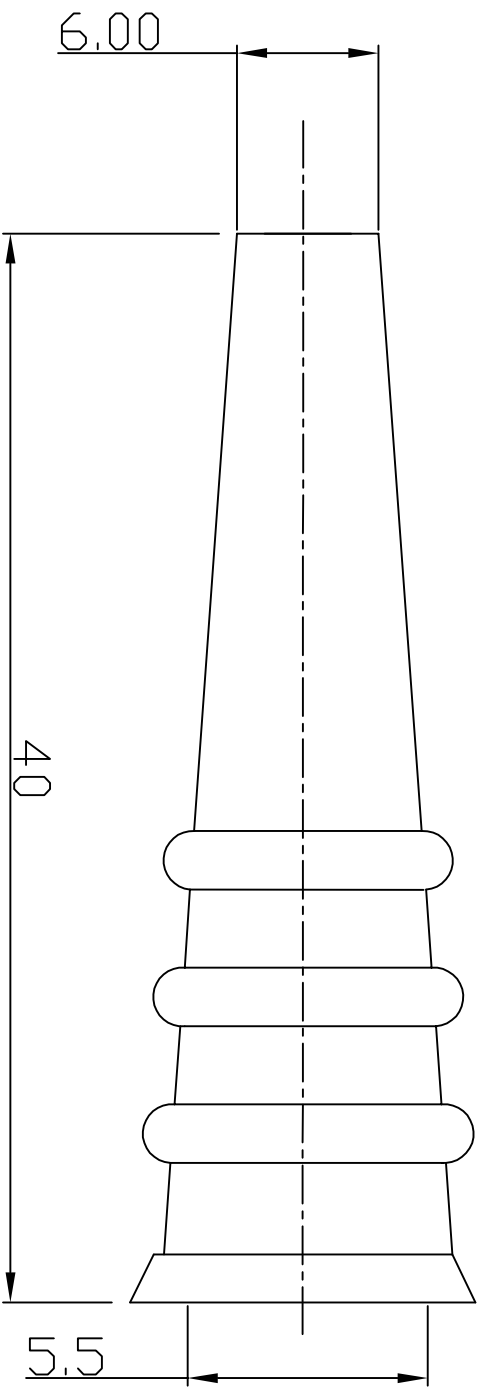
Email & Skype: info@chipsmall.com Web: www.chipsmall.com

Address: A1208, Overseas Decoration Building, #122 Zhenhua RD., Futian, Shenzhen, China



**EMERSON**  
Network Power

**Connectivity Solutions**  
7-13 Russell Way,  
Widford Industrial Estate,  
Chelmsford Essex,  
CM1 3AA, UK.  
Tel: +44 (0) 1245 359515  
Fax: +44 (0) 1245 358938



Part Number	Material	Colour
VSR300	PVC	Black
VSR301	PVC	Brown
VSR302	PVC	Red
VSR303	PVC	Orange
VSR304	PVC	Yellow
VSR305	PVC	Green
VSR306	PVC	Blue
VSR308	PVC	Grey
VSR309	PVC	White

CAD Issue	SN	2	13 Feb 03
First Issue	PDC	1	03 Nov 00
DESCRIPTION OF REVISION	APPVD	ISS	DATE

SCALE: Not To Scale

DIMENSIONS: mm

TOLERANCES:  
± 0.2mm unless  
otherwise stated

DRAWN BY: S Nash

CHECKED BY: P Couzens

APPROVED BY: P Couzens

DATE: 13 Feb 03

TITLE:  
**Strain Relief Boot**

PART NUMBER:  
**VSR30X Series**

PAGE: 1 of 1