



Chipsmall Limited consists of a professional team with an average of over 10 year of expertise in the distribution of electronic components. Based in Hongkong, we have already established firm and mutual-benefit business relationships with customers from,Europe,America and south Asia,supplying obsolete and hard-to-find components to meet their specific needs.

With the principle of “Quality Parts,Customers Priority,Honest Operation,and Considerate Service”,our business mainly focus on the distribution of electronic components. Line cards we deal with include Microchip,ALPS,ROHM,Xilinx,Pulse,ON,Everlight and Freescale. Main products comprise IC,Modules,Potentiometer,IC Socket,Relay,Connector.Our parts cover such applications as commercial,industrial, and automotives areas.

We are looking forward to setting up business relationship with you and hope to provide you with the best service and solution. Let us make a better world for our industry!



Contact us

Tel: +86-755-8981 8866 Fax: +86-755-8427 6832

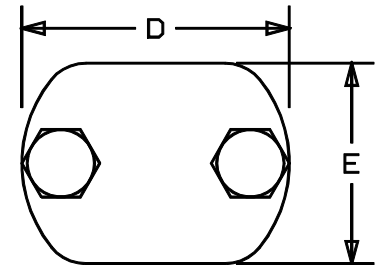
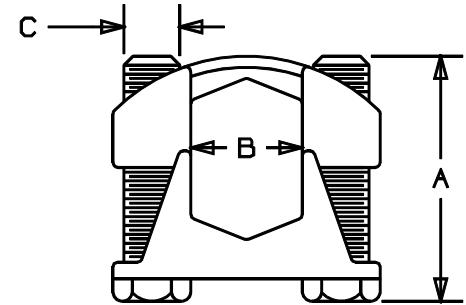
Email & Skype: info@chipsmall.com Web: www.chipsmall.com

Address: A1208, Overseas Decoration Building, #122 Zhenhua RD., Futian, Shenzhen, China



THIS COPY IS PROVIDED ON A RESTRICTED BASIS AND IS NOT TO BE USED IN ANY WAY DETRIMENTAL TO THE INTERESTS OF PANDUIT CORP.

PART NO.	CONDUCTOR RANGE		A BOLT LENGTH	APPROXIMATE DIMENSIONS			
	MAIN	TAP		B	C	D	E
VT-0-Q	2STR-1/OSTR	1OSTR-1/OSTR	1 1/2 (38)	13/32 (10.3)	5/16	1 7/16 (37)	15/16 (24)
VT-1-Q	2STR-2/OSTR	1OSTR-2/OSTR	1 1/2 (38)	1/2 (12.7)	5/16	1 9/16 (40)	1 1/8 (29)
VT-2-Q	1/OSTR-4/OSTR	1OSTR-4/OSTR	1 3/4 (44)	19/32 (15)	3/8	1 27/32 (47)	1 11/32 (59)
VT-3-12	250-350 MCM	1OSTR-350 MCM	2 (51)	3/4 (19)	1/2	2 5/16 (59)	1 5/8 (41)
VT-4-12	250-500 MCM	1OSTR-500 MCM	2 1/4 (57)	7/8 (22.2)	1/2	2 7/16 (62)	1 11/16 (43)
VT-5-6	400-800 MCM	3/OSTR-800 MCM	2 1/2 (64)	1 1/16 (26.9)	1/2	2 11/16 (68)	1 7/8 (48)
VT-6-6	500-1000 MCM	3/OSTR-1000 MCM	2 3/4 (70)	1 1/4 (31.7)	5/8	3 1/16 (78)	2 1/4 (57)



NOTES:

1. MATERIAL : BRONZE CASTING
2. U.L. LISTED WITH COPPER CONDUCTORS
3. MADE IN U.S.A.



LISTED
3R41

C41208_00

PANDUIT

CORP.

TINLEY PARK, ILLINOIS

TYPE VT BRONZE TAPS
TWO BOLT CONNECTORS

00 2/97 TM RELEASED

REV	DATE	BY	CHK	DESCRIPTION	ECN#	CUST	PM	APP	DRAWN BY	CHK'D	SCALE	DRAWING NO.
									T SMA		NONE	C41208