



Chipsmall Limited consists of a professional team with an average of over 10 year of expertise in the distribution of electronic components. Based in Hongkong, we have already established firm and mutual-benefit business relationships with customers from,Europe,America and south Asia,supplying obsolete and hard-to-find components to meet their specific needs.

With the principle of “Quality Parts,Customers Priority,Honest Operation,and Considerate Service”,our business mainly focus on the distribution of electronic components. Line cards we deal with include Microchip,ALPS,ROHM,Xilinx,Pulse,ON,Everlight and Freescale. Main products comprise IC,Modules,Potentiometer,IC Socket,Relay,Connector.Our parts cover such applications as commercial,industrial, and automotives areas.

We are looking forward to setting up business relationship with you and hope to provide you with the best service and solution. Let us make a better world for our industry!



## Contact us

Tel: +86-755-8981 8866 Fax: +86-755-8427 6832

Email & Skype: info@chipsmall.com Web: www.chipsmall.com

Address: A1208, Overseas Decoration Building, #122 Zhenhua RD., Futian, Shenzhen, China



## ▶▶▶ Industrial RTU

### PRODUCT HIGHLIGHTS

- Plant floor interface for Real-time inventory management, Remote process monitoring, HVAC & energy management, environmental monitoring, low cost OEM applications
- Ideal for ID tag applications, serial ports link to code readers
- Datalogging and timestamping trending, alarm logging, & transaction recording
- Stand alone control of remote sites, IEC 61131 ISaGRAF and also C++ programming via open source Linux
- Limitless multi-user connectivity telephone, Internet, and wireless telemetry, 10/100 Ethernet plus up to 4 com ports
- Embedded Linux open source software, add applications, I/O drivers & much more
- An OEM's dream platform, pre-certified, add your application

### PERFORMANCE SPECIFICATIONS

- Industrial PowerPC (32 bit data bus)
- Operating system embedded open-source Linux
- Dynamic memory (RAM) 16 Mbytes for program execution, dynamic variables, dynamic file system, etc.
- Program memory (Flash) 16 Mbytes for Linux OS, program storage and file system
- Retained memory (RAM) 512K (battery-backed) for datalogging and retained variables
- Real-time clock battery-backed for time stamping and other operations
- Local I/O (on-board) 12 or 14 (see ordering info.)
- I/O Expansion (up to 256) RS485 or Ethernet
- Datalogging support
- IEC 61131 programming, ISaGRAF for ladder logic, SFC, flow charting and more (6 languages supported)
- High Level C programming

### ETHERNET PORT

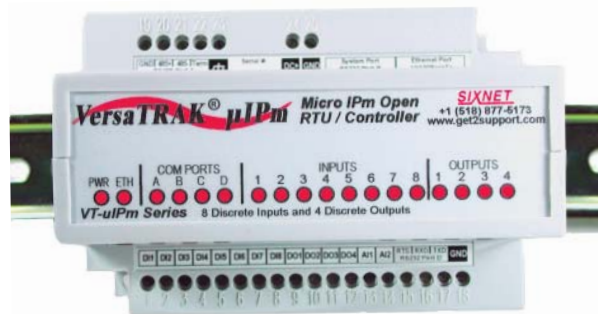
- 10/100BaseTx (auto-detecting)
- RJ45 connection (auto-crossover)
- Protocols TCP/IP, ARP, UDP, ICMP, DHCP, Modbus/TCP, Sixnet, optionally PPP, DNP3 and more

### SERIAL PORT

- Up to 115,200 baud
- RS485 Port A screws (485+, 485-, GND) (2-wire half-duplex)
- RS232 Port B RJ45 (TD, RD, CTS, RTS, CD, DTR, DSR, GND)
- RS232 Port C Screws (TD, RD, RTS, GND)
- RS232 Port D (optional) Screws (TD, RD, GND) – In place of the two analog inputs
- Protocols Master & slave modes; Sixnet & Modbus RTU/ASCII; Others available as Linux applications

### DISCRETE INPUTS

- 8 channels sourcing or sinking (jumper/software selectable)
- Guaranteed ON voltage 9 VDC (The threshold is factory adjustable to turn on at a lower voltage – contact Sixnet)
- Maximum voltage 30 VDC
- Guaranteed OFF voltage 5.0 VDC & 1.5 mA DC
- Input resistance & current 10K Ohms and 3 mA @ 24 VDC
- Filtered ON/OFF delay 25 mS (20 Hz max. counting) for contact bounce filtering



- Fast ON/OFF delay 4 mS (100 Hz max. counting)
- Count rate (see above) (10 KHz on channel 1 only)
- Counter modes pulse, rate and run time
- Poll time (all channels) 5 mS to 20 mS configuration dependent

### DISCRETE OUTPUTS

- 4 channels – sourcing 10-30 VDC
- Min. & max. output load 1 mA to 1 Amp sourcing per channel
- Max. OFF state leakage 0.05 mA
- Inrush current 5 Amps (100 mS surge)
- Typical ON characteristics 0.3 Ohms resistance and 0.3 VDC voltage drop @ 1A
- Poll time (all channels) 5 mS to 20 mS configuration dependent

### ANALOG INPUTS

- 2 channels – current or voltage selectable
- Full scale range 4-20 mA or 0-5 VDC (jumper selectable)
- A/D and input resolution 16 bits (0.003%); 2 uA (current range) or 0.5 mV (voltage range)
- Full scale accuracy +/-0.1% (@20°C) (factory calibration)
- Span & offset temp. coeff. +/-50 ppm per °C
- Input impedance 100 Ohm (current range), 80 K Ohm voltage
- Current protection Self-resetting fuses (for 4-20 mA range)
- DMRR 66 dB at 50/60 Hz (differential mode rejection)
- Fastest update time 50 mS (both channels) – configurable for longer integration times for better noise filtering

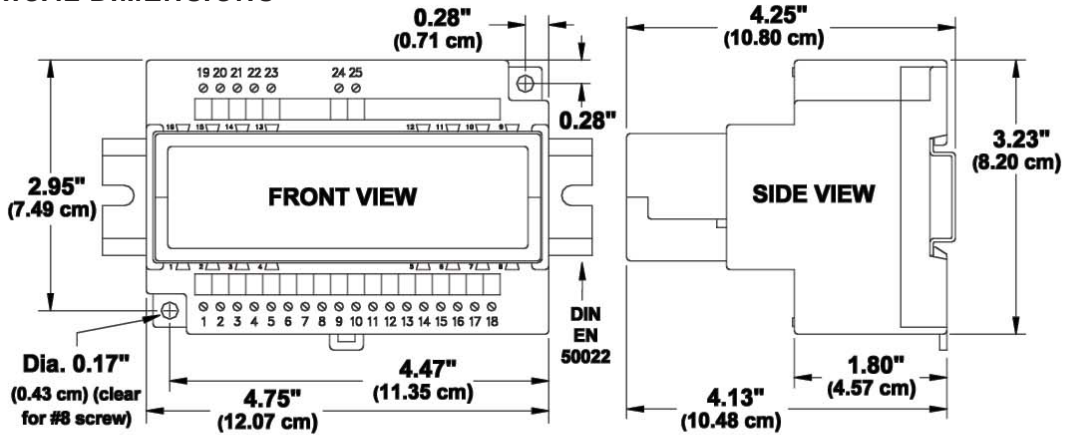
### ENVIRONMENTAL

- DIN rail or flat panel mount
- Input power 10-30 VDC
- Input current 100 mA @ 24 VDC (typical)
- Temperature -40 to 70°C (-40 to 85°C storage)
- Humidity 5% to 95% RH (non-condensing)
- Flammability UL 94V-0 materials
- Electrical safety UL 508, CSA C22.2/14; EN610101; (IEC1010)
- EMI emissions FCC part 15, ICES-003, Class A; EN55022; EN61326-1
- EMC immunity EN61326-1 (EN61000-4-2,3,4,6)
- Vibration IEC68-2-6000
- Hazardous locations (Class 1, Div 2, Groups A,B,C,D) UL 1604, CSA C22.2/213, Cenelec EN50021 Zone 2

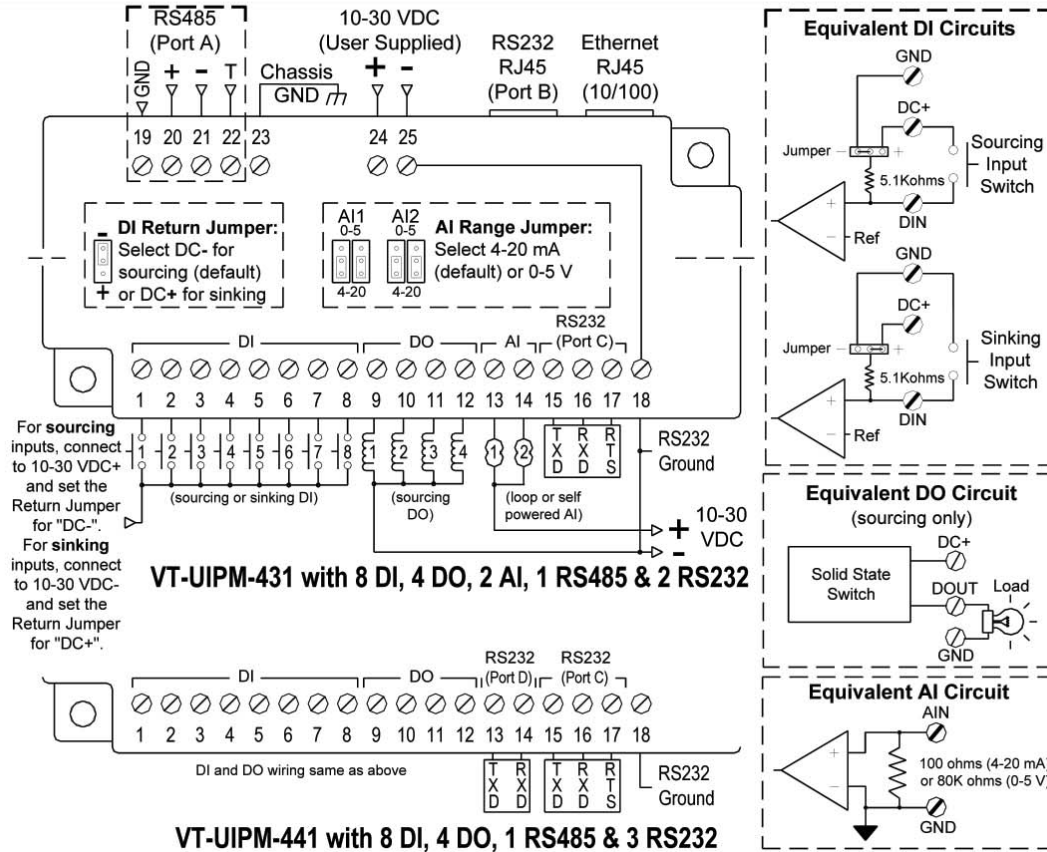
All specifications are subject to change. Consult factory for latest info.

# MICRO-Versa TRAK $\mu$ IPm™ Specifications

## MECHANICAL DIMENSIONS



## WIRING



## ORDERING INFORMATION

Model	DI	DO	AI	RS232	RS485	Ethernet
VT-UIPM-431-H	8	4	2	2	1	10/100
VT-UIPM-441-H	8	4	0	3	1	10/100



[www.redlion.net](http://www.redlion.net)

Connect. Monitor. Control.

**Americas**  
sales@redlion.net

**Asia-Pacific**  
asia@redlion.net

**Europe  
Middle East  
Africa**  
europe@redlion.net

+1 (717) 767-6511

As the global experts in communication, monitoring and control for industrial automation and networking, Red Lion has been delivering innovative solutions for over forty years. Our award-winning technology enables companies worldwide to gain real-time data visibility that drives productivity. Product brands include Red Lion, N-Tron and Sixnet. With headquarters in York, Pennsylvania, the company has offices across the Americas, Asia-Pacific and Europe. For more information, please visit [www.redlion.net](http://www.redlion.net). Red Lion is a Spectris company.