



Chipsmall Limited consists of a professional team with an average of over 10 year of expertise in the distribution of electronic components. Based in Hongkong, we have already established firm and mutual-benefit business relationships with customers from,Europe,America and south Asia,supplying obsolete and hard-to-find components to meet their specific needs.

With the principle of “Quality Parts,Customers Priority,Honest Operation,and Considerate Service”,our business mainly focus on the distribution of electronic components. Line cards we deal with include Microchip,ALPS,ROHM,Xilinx,Pulse,ON,Everlight and Freescale. Main products comprise IC,Modules,Potentiometer,IC Socket,Relay,Connector.Our parts cover such applications as commercial,industrial, and automotives areas.

We are looking forward to setting up business relationship with you and hope to provide you with the best service and solution. Let us make a better world for our industry!



Contact us

Tel: +86-755-8981 8866 Fax: +86-755-8427 6832

Email & Skype: info@chipsmall.com Web: www.chipsmall.com

Address: A1208, Overseas Decoration Building, #122 Zhenhua RD., Futian, Shenzhen, China

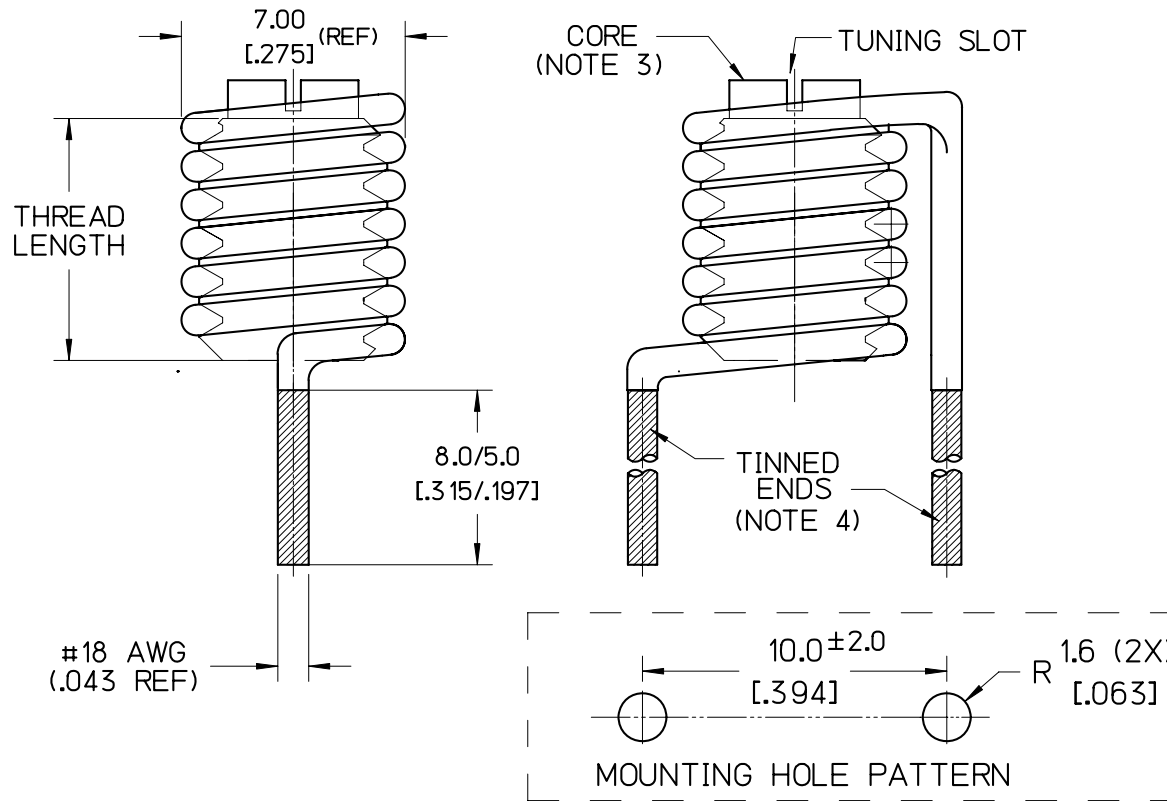


VTCXXEYYYYTRVPC A

**VARIABLE INDUCTOR COIL
VERTICAL MOUNT PC STYLE
(NONMAGNETIC)**

PATENT No. 8,248,198

FILE: AIROUT



NOTES:

1. a. DIMENSIONS: mm
b. DIMENSIONS: [inches] FOR REFERENCE
2. COIL :
a. MATERIAL:
COPPER ALLOY (COATED)
b. COATING ABLE TO WITHSTAND
275°C FOR 100 HOURS AS PER
NEMA "CLASS 200". (REF: ASTM D2307)
3. CORE :
a. MATERIAL: PTFE / COPPER ALLOY
b. SELF-RESONANT FREQUENCY (SRF):
MEASURED WITH THE CORE FULLY
ENGAGED AS DEPICTED
c. L MIN MEASURED:
CORE FULLY ENGAGED INTO WINDINGS.
d. L MAX MEASURED:
CORE ENGAGED A SINGLE TURN.
4. TINNING :
a. MATERIAL:
RoHS COMPLIANT "SAC" ALLOY

KNOWLES P/N	READINGS: AGILENT/8358-A METER				Q (@ 100 MHz)	SRF (GHz)	TURNS	THD LGTH mm (in)
	L (nH)							
	MIN	NOM	MAX	NO CORE				
VTC02E030TRVPC	32	33	34	39	90	1.2	2	6(.236)
VTC03E048TRVPC	46	49	52	59	95	1.0	3	6(.236)
VTC04E065TRVPC	60	64	68	78	101	0.9	4	6(.236)
VTC05E088TRVPC	74	81	87	99	114	0.9	5	8(.315)
VTC06E110TRVPC	94	107	119	123	119	0.7	6	8(.315)
VTC07E130TRVPC	104	118	133	142	121	0.7	7	10(.394)

A	11/06/17	MAI	-	-	001457
LEVEL	DATE	DRN.	CHK.	APP.	ECN
REVISIONS					
DRN.	MAI	CHK.	MAI	APP.	MAI
DATE	11/06/17	DATE	11/07/17	DATE	11/07/17
					.XX ± .762 .XXX ± .254



Knowles Cazenovia
2777 Route 20 East
Cazenovia, NY 13035