



Chipsmall Limited consists of a professional team with an average of over 10 year of expertise in the distribution of electronic components. Based in Hongkong, we have already established firm and mutual-benefit business relationships with customers from,Europe,America and south Asia,supplying obsolete and hard-to-find components to meet their specific needs.

With the principle of “Quality Parts,Customers Priority,Honest Operation,and Considerate Service”,our business mainly focus on the distribution of electronic components. Line cards we deal with include Microchip,ALPS,ROHM,Xilinx,Pulse,ON,Everlight and Freescale. Main products comprise IC,Modules,Potentiometer,IC Socket,Relay,Connector.Our parts cover such applications as commercial,industrial, and automotives areas.

We are looking forward to setting up business relationship with you and hope to provide you with the best service and solution. Let us make a better world for our industry!



Contact us

Tel: +86-755-8981 8866 Fax: +86-755-8427 6832

Email & Skype: info@chipsmall.com Web: www.chipsmall.com

Address: A1208, Overseas Decoration Building, #122 Zhenhua RD., Futian, Shenzhen, China



VTC13E250TRSM

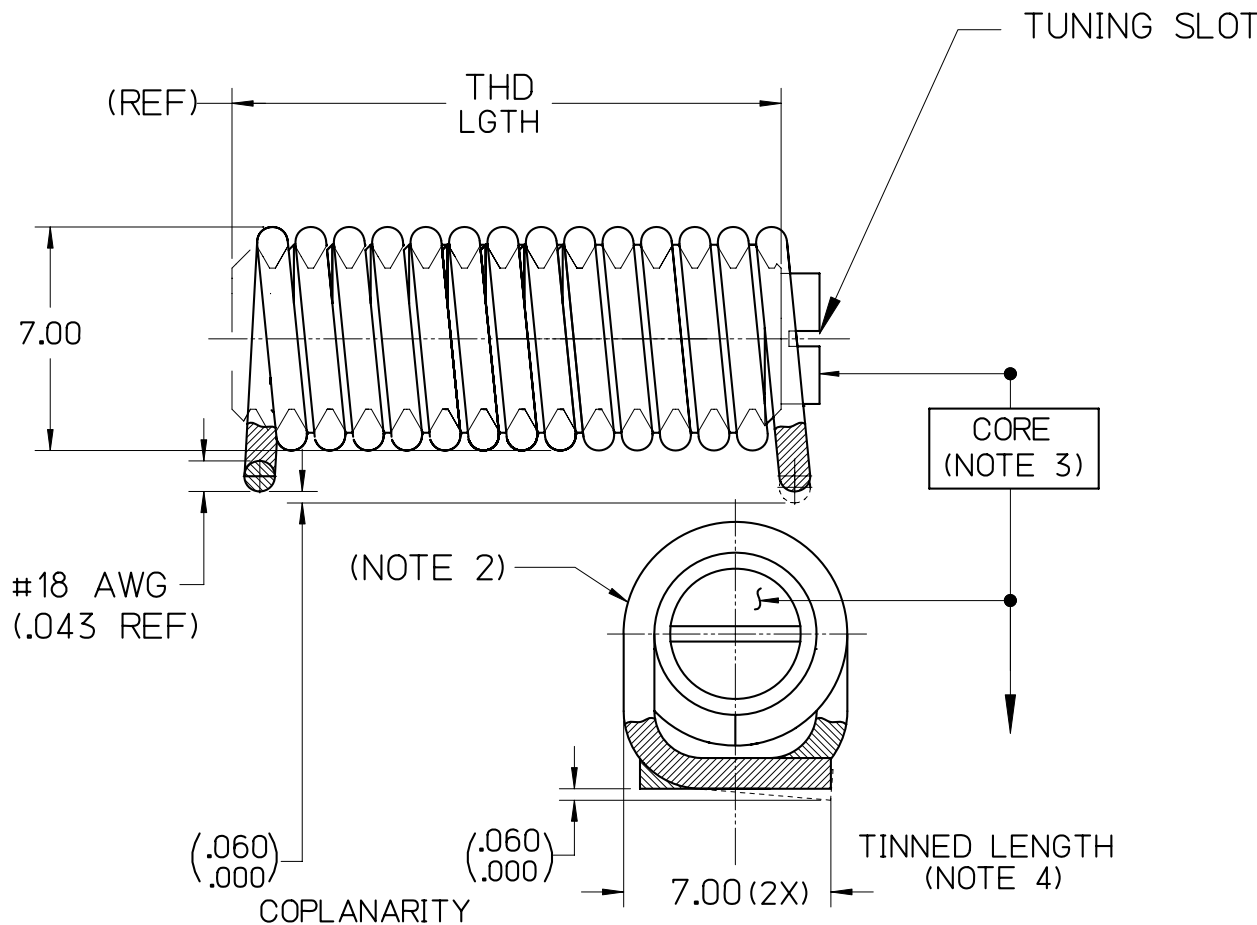
**VARIABLE INDUCTOR COIL
(NONMAGNETIC)**

U.S. PATENT No. 8,248,198

FILE: AIROUT

NOTES:

1. a. DIMENSIONS: mm
b. DIMENSIONS: (inches) FOR REFERENCE ONLY
2. COIL :
a. MATERIAL: COPPER ALLOY (COATED)
b. COATING ABLE TO WITHSTAND 275°C FOR 100 HOURS AS PER NEMA "CLASS 200". (REF ASTM D2307)
3. CORE :
a. MATERIAL: PTFE / COPPER ALLOY
b. SELF-RESONANT FREQUENCY (SRF) IS MEASURED WITH THE CORE) FULLY ENGAGED AS DEPICTED
c. L MIN MEASURED WITH CORE ENGAGING FULL WINDINGS. L MAX MEASURED WITH CORE ENGAGING A SINGLE TURN.
4. TINNING :
a. MATERIAL: RoHS COMPLIANT "SAC" ALLOY'



KNOWLES P/N	L (nH)				Q (@ 100 MHz)	SRF (GHz)	TURNS	THD LGTH (mm)
	MIN	NOM	MAX	NO CORE				
VTC13E250TRSM	185	219	270	294	199	430	13	18

READINGS TAKEN ON AGILENT/8358-A METER.



Knowles Cazenovia
2777 Route 20 East
Cazenovia, NY 13035

LEVEL	DATE	DRN.	CHK.	APP.	ECN
A	11/10/17	MAI	-	-	001457
REVISIONS					
DRN.	MAI	CHK.	MAI	APP.	SCALE
DATE	11/10/17	DATE	11/10/17	DATE	11/10/17
					.XX ± .762 .XXX ± .254