



Chipsmall Limited consists of a professional team with an average of over 10 year of expertise in the distribution of electronic components. Based in Hongkong, we have already established firm and mutual-benefit business relationships with customers from,Europe,America and south Asia,supplying obsolete and hard-to-find components to meet their specific needs.

With the principle of “Quality Parts,Customers Priority,Honest Operation,and Considerate Service”,our business mainly focus on the distribution of electronic components. Line cards we deal with include Microchip,ALPS,ROHM,Xilinx,Pulse,ON,Everlight and Freescale. Main products comprise IC,Modules,Potentiometer,IC Socket,Relay,Connector.Our parts cover such applications as commercial,industrial, and automotives areas.

We are looking forward to setting up business relationship with you and hope to provide you with the best service and solution. Let us make a better world for our industry!



## Contact us

Tel: +86-755-8981 8866 Fax: +86-755-8427 6832

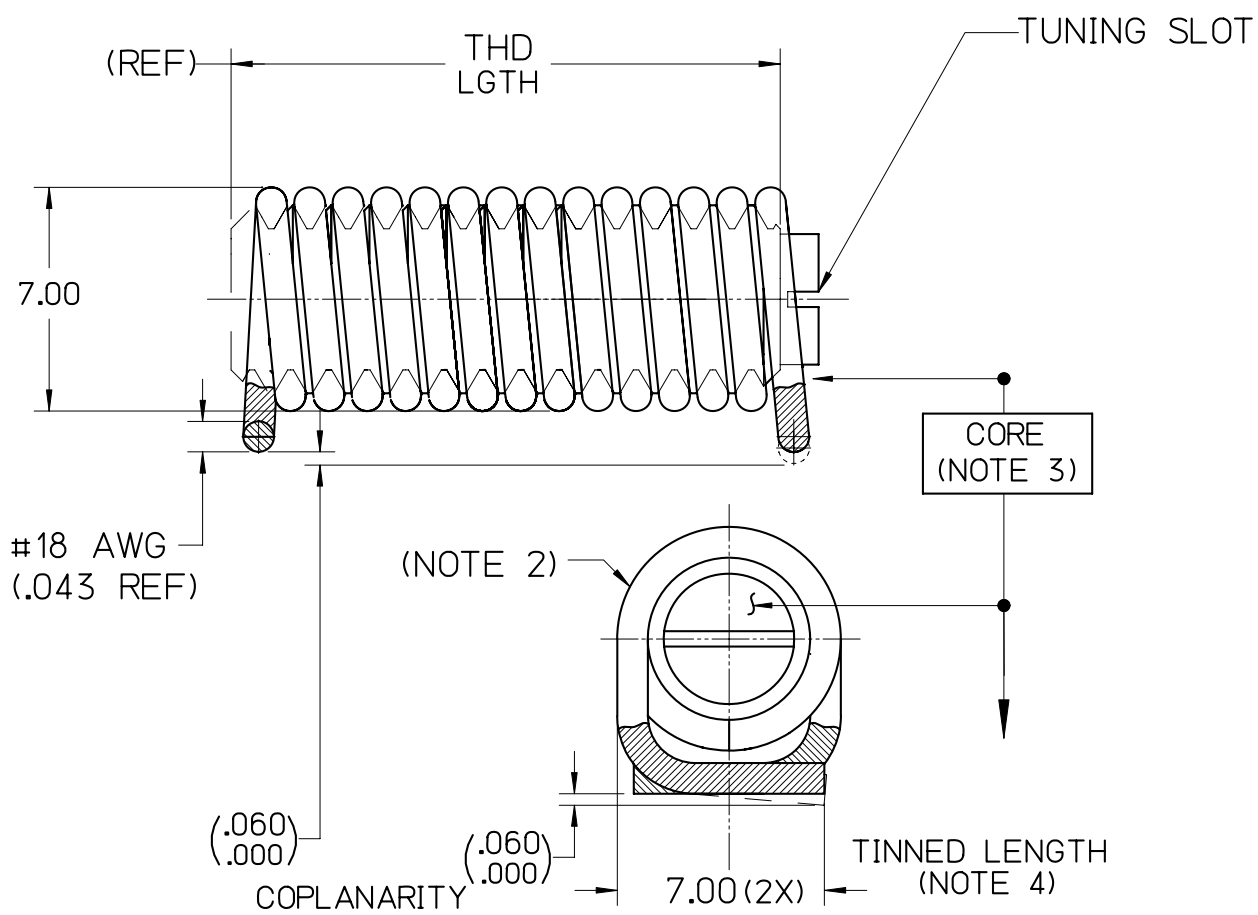
Email & Skype: info@chipsmall.com Web: www.chipsmall.com

Address: A1208, Overseas Decoration Building, #122 Zhenhua RD., Futian, Shenzhen, China



**VTC19E375TRSM**  
**VARIABLE INDUCTOR COIL**  
**(NONMAGNETIC)**  
*U.S. PATENT No. 8,248,198*

FILE: AIROUT



- NOTES:
1. a. DIMENSIONS: mm  
 b. DIMENSIONS: (inches) FOR REFERENCE ONLY
  2. COIL :  
 a. MATERIAL: COPPER ALLOY (COATED)  
 b. COATING ABLE TO WITHSTAND 275°C FOR 100 HOURS AS PER NEMA "CLASS 200". (REF ASTM D2307)
  3. CORE :  
 a. MATERIAL: PTFE / COPPER ALLOY  
 b. SELF-RESONANT FREQUENCY (SRF) IS MEASURED WITH THE CORE) FULLY ENGAGED AS DEPICTED  
 c. L MIN MEASURED WITH CORE ENGAGING FULL WINDINGS. L MAX MEASURED WITH CORE ENGAGING A SINGLE TURN.
  4. TINNING :  
 a. MATERIAL: RoHS COMPLIANT "SAC" ALLOY'

KNOWLES P/N	L (nH)				Q (@ 100 MHz)	SRF (GHz)	TURNS	THD LGTH (mm)
	MIN	NOM	MAX	NO CORE				
VTC19E375TRSM	281	345	436	457	171	310	19	25

READINGS TAKEN ON AGILENT/8358-A METER.



**Knowles Cazenovia**  
 2777 Route 20 East  
 Cazenovia, NY 13035

A	11/10/17	MAI	-	-	001457
LEVEL	DATE	DRN.	CHK.	APP.	ECN
REVISIONS					
DRN.	CHK.	APP.	SCALE		
MAI	MAI	MAI	NONE		
DATE	DATE	DATE	.XX ± .762		
11/10/17	11/10/17	11/10/17	.XXX ± .254		