



Chipsmall Limited consists of a professional team with an average of over 10 year of expertise in the distribution of electronic components. Based in Hongkong, we have already established firm and mutual-benefit business relationships with customers from,Europe,America and south Asia,supplying obsolete and hard-to-find components to meet their specific needs.

With the principle of “Quality Parts,Customers Priority,Honest Operation,and Considerate Service”,our business mainly focus on the distribution of electronic components. Line cards we deal with include Microchip,ALPS,ROHM,Xilinx,Pulse,ON,Everlight and Freescale. Main products comprise IC,Modules,Potentiometer,IC Socket,Relay,Connector.Our parts cover such applications as commercial,industrial, and automotives areas.

We are looking forward to setting up business relationship with you and hope to provide you with the best service and solution. Let us make a better world for our industry!



Contact us

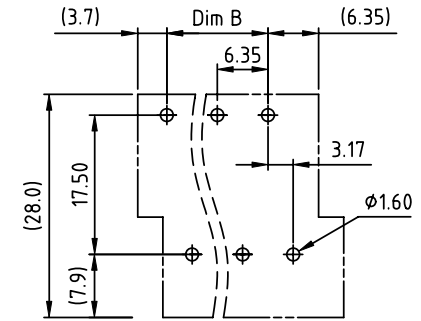
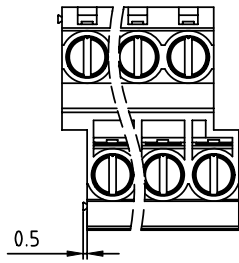
Tel: +86-755-8981 8866 Fax: +86-755-8427 6832

Email & Skype: info@chipsmall.com Web: www.chipsmall.com

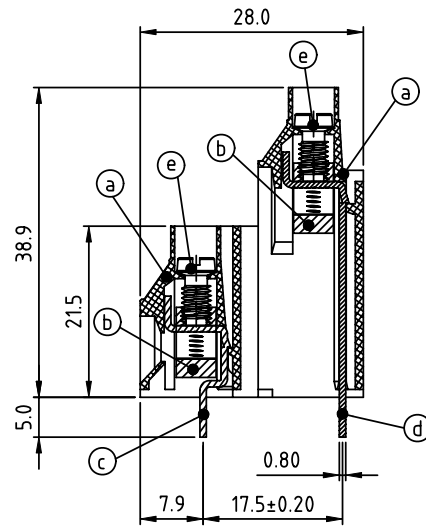
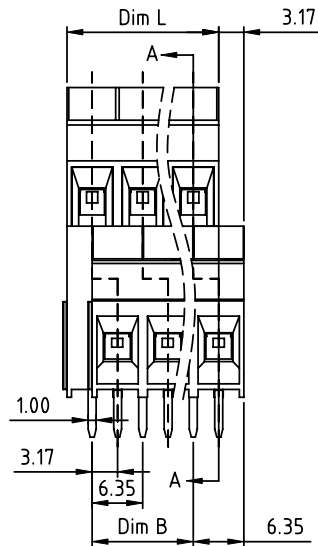
Address: A1208, Overseas Decoration Building, #122 Zhenhua RD., Futian, Shenzhen, China



PRODUCT NUMBER	PITCH
VVxx01x000J0G	6.35 mm



RECOMMENDED P.C.B LAYOUT
TOP VIEW



SECTION A--A

PART NO.: VV xx 0 1 x 0 00J0 G

DIMENSION

Dim L	N/2x6.35
Dim B	(N/2-1)x6.35

N=Number of poles

Poles	Tolerance
2x2p-2x6p	±0.15
2x7p-2x12p	±0.25
2x13p-2x16p	±0.35

End Stackable	0	Black (RAL9005)	RoHS compliant (lead<4%)
No. of poles	2	Red (RAL3001/D)	In copper Alloy
04 2x2 poles	3	Orange(RAL2011/P)	
06 3x2 poles	4	Yellow(RAL1018/A)	
...	...	5 Green(RAL6018/T)	
32 16x2 poles	6	Blue (RAL5015/A)	
	8	Grey(RAL7035/D)	
	9	White(RAL1102)	
	C	Green(RAL6018/U)	

Material:

- Item ① Terminal housing: Thermoplastic (UL 94V-0)
- Item ② Clamp: Brass, Ni plated
- Item ③ Solder pin1: Copper, Tin plated
- Item ④ Solder pin2: Copper, Tin plated
- Item ⑤ Terminal screw: Steel Zinc plating"-slot type

Electrical cULus

- Voltage rating: 300VAC
- Current rating: 30A
- Wire range:
- Solid wire(AWG): 10-30
- Stranded wire(AWG): 10-30
- Torque(Lb-In): 5.2
- Screw: M3.5
- Wire strip length: 10-11mm
- Withstanding Voltage: 1.6KV
- Operating temperature: -40°C to +115°C
- Soldering temperature: 260°C±5°C/5 Sec
- Safety approval: cULus

mat'l. code				surface ASME Y14.5	tolerance ASME Y14.5	projection	product family TERMINAL BLOCK		
ltr	ecn no	dr	date	tolerances unless otherwise specified		MM	title		
				angles	X.±0.5		TERMINAL BLOCK		
				parallel	X.X±0.3	scale	RISING CLAMP, 180D WIRE INLET, END STACKABLE		
				X*±1*	X.XX±0.1		sheet 1 of 1 size		
		dr	EVIN ZHONG	041414		FCI	dwg no		
		enr	EVIN ZHONG	041414			VVxx01x000J0G		
		chr	HANKE FENG	041414			sheet 1 of 1 size		
		appd	SHI JUN	041414			A4		
sheet index	revision sheet	A	1			type CUSTOMER Drawing			