



Chipsmall Limited consists of a professional team with an average of over 10 year of expertise in the distribution of electronic components. Based in Hongkong, we have already established firm and mutual-benefit business relationships with customers from,Europe,America and south Asia,supplying obsolete and hard-to-find components to meet their specific needs.

With the principle of “Quality Parts,Customers Priority,Honest Operation,and Considerate Service”,our business mainly focus on the distribution of electronic components. Line cards we deal with include Microchip,ALPS,ROHM,Xilinx,Pulse,ON,Everlight and Freescale. Main products comprise IC,Modules,Potentiometer,IC Socket,Relay,Connector.Our parts cover such applications as commercial,industrial, and automotives areas.

We are looking forward to setting up business relationship with you and hope to provide you with the best service and solution. Let us make a better world for our industry!



Contact us

Tel: +86-755-8981 8866 Fax: +86-755-8427 6832

Email & Skype: info@chipsmall.com Web: www.chipsmall.com

Address: A1208, Overseas Decoration Building, #122 Zhenhua RD., Futian, Shenzhen, China



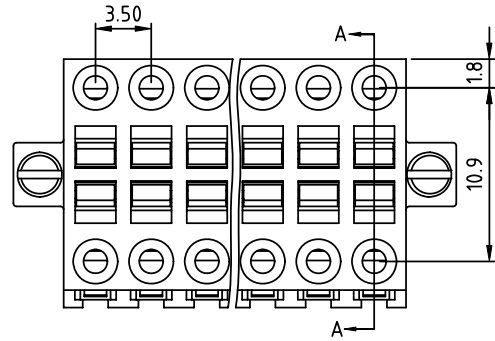
PRODUCT NUMBER	PITCH
VWxx10x100J0G	3.50 mm

N=Number of poles

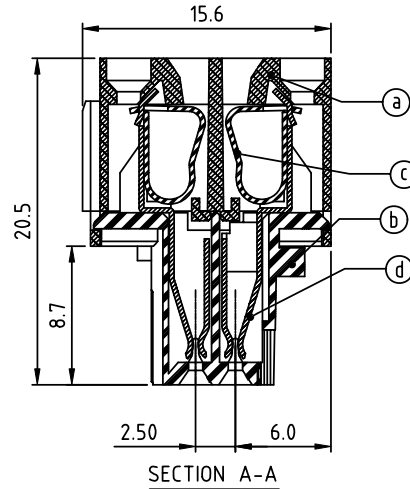
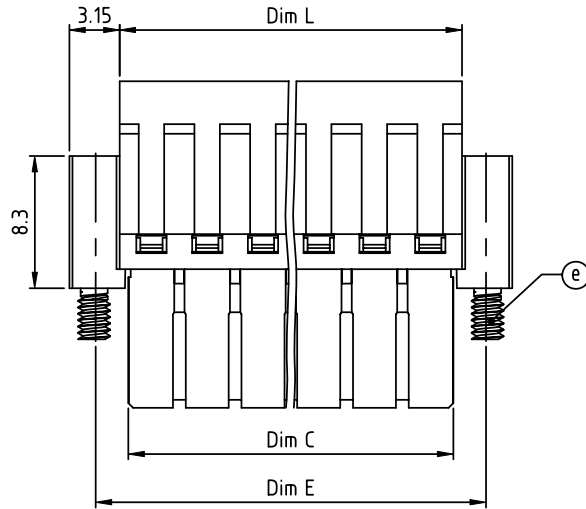
Dim L=(N/2-1)×3.5+4.0
Dim P=(N/2-1)×3.5
Dim C=N/2×3.5-0.6
Dim D=(N/2-1)×3.5+10.3
Dim E=(N/2-1)×3.5+7.0

PART NO.: VW xx 1 0 x 1 00J0 G

solid block	0	Color	RoHS compliant
No. of poles	2	Black (RAL9005)	(lead<4%)
04 2x2 poles	3	Red (RAL3001/D)	In copper Alloy
06 2x3 poles	4	Orange(RAL2011/P)	
...	5	Yellow(RAL1018/A)	
...	6	Green(RAL6018/T)	
48 2x24 poles	8	Blue (RAL5015/A)	
	9	Grey(RAL7035/D)	
	9	White(RAL1102)	
	C	Green(RAL6018/U)	



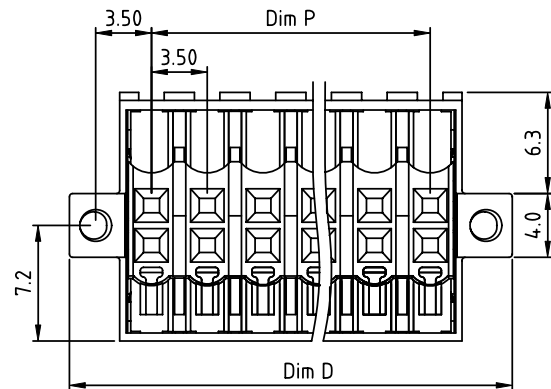
POLES	Dim L	Dim P	Dim C	Dim D	Dim E
2x2p-2x6p	±0.15	±0.10	⁰ _{-0.15}	±0.10	±0.15
2x7p-2x12p	±0.25	±0.20	⁰ _{-0.20}	±0.20	±0.25
2x13p-2x18p	±0.30	±0.25	⁰ _{-0.25}	±0.25	±0.30
2x19p-2x24p	±0.40	±0.35	⁰ _{-0.30}	±0.35	±0.40



Material:

- Item@Tob body:Thermoplastic (UL94V-0)
- Item@Bottom body:Thermoplastic (UL94V-0)
- Item@Spring clamp:Stainless steel
- Item@Female contact:PhBz,Tin plated
- Item@With flange screw:steel M2.0 Zinc plated "-" slot type

Electrical	cULus
●Voltage rating:	150V
●Current rating:	7A
●Solid wire(AWG):	18-28
●Stranded wire(AWG):	18-28
●Wire strip length:	7-8mm
●Withstanding Voltage:	1.6KV
●Operating temperature:	-40°C to +115°C
●Safety Approval:	cULus



mat'l. code		surface ASME Y14.5	tolerance ASME Y14.5	projection	product family TERMINAL BLOCK
ltr	ecn no	dr	date	 MM	title TERMINAL BLOCK SPRING CLAMP,PLUGGABLE PLUG,WITH FLANGE
tolerances unless otherwise specified					
angles		X.±0.5			dwg no VWxx10x100J0G sheet 1 of 1 size A4
X°±1°		X.XX±0.1			
dr	ENGR	DATE			
chr	SHI JUN	052014			
sheet index	revision sheet	A	1	type CUSTOMER Drawing	