



Chipsmall Limited consists of a professional team with an average of over 10 year of expertise in the distribution of electronic components. Based in Hongkong, we have already established firm and mutual-benefit business relationships with customers from,Europe,America and south Asia,supplying obsolete and hard-to-find components to meet their specific needs.

With the principle of "Quality Parts,Customers Priority,Honest Operation,and Considerate Service",our business mainly focus on the distribution of electronic components. Line cards we deal with include Microchip,ALPS,ROHM,Xilinx,Pulse,ON,Everlight and Freescale. Main products comprise IC,Modules,Potentiometer,IC Socket,Relay,Connector.Our parts cover such applications as commercial,industrial, and automotives areas.

We are looking forward to setting up business relationship with you and hope to provide you with the best service and solution. Let us make a better world for our industry!



## Contact us

Tel: +86-755-8981 8866 Fax: +86-755-8427 6832

Email & Skype: info@chipsmall.com Web: www.chipsmall.com

Address: A1208, Overseas Decoration Building, #122 Zhenhua RD., Futian, Shenzhen, China



PRODUCT NUMBER	PITCH
VWxx10x000J0G	3.50 mm

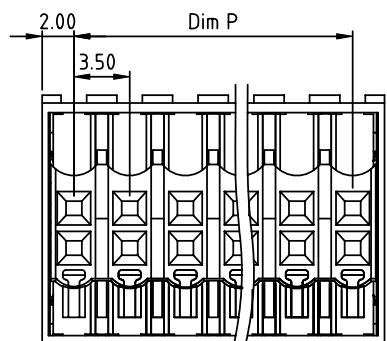
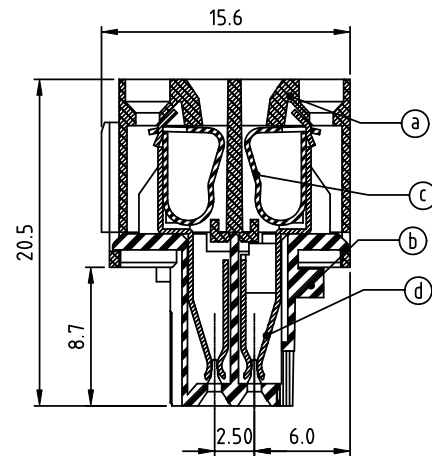
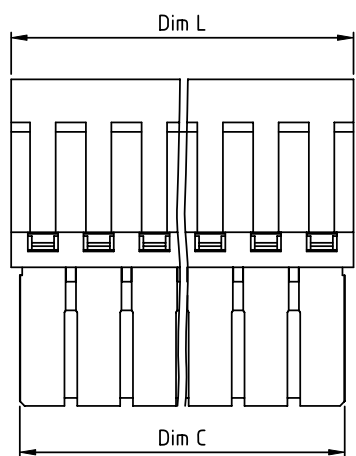
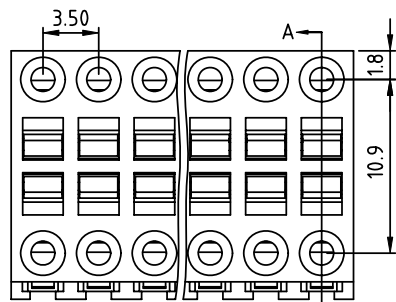
N=Number of poles

Dim L=(N/2-1)×3.5+4.0
Dim P=(N/2-1)×3.5
Dim C=N/2×3.5-0.6

POLES	Dim L	Dim P	Dim C
2x2p-2x6p	±0.15	±0.10	<sup>0</sup> <sub>-0.15</sub>
2x7p-2x12p	±0.25	±0.20	<sup>0</sup> <sub>-0.20</sub>
2x13p-2x18p	±0.30	±0.25	<sup>0</sup> <sub>-0.25</sub>
2x19p-2x24p	±0.40	±0.35	<sup>0</sup> <sub>-0.30</sub>

PART NO.: VW xx 1 0 x 0 00J0 G

solid block	0	Black (RAL9005)	RoHS compliant (lead<4%) In copper Alloy
No. of poles	2	Red (RAL3001/D)	
04	2x2 poles	3	Orange(RAL2011/P)
06	2x3 poles	4	Yellow(RAL1018/A)
...	...	5	Green(RAL6018/T)
48	2x24 poles	6	Blue (RAL5015/A)
		8	Grey(RAL7035/D)
		9	White(RAL1102)
		C	Green(RAL6018/U)



Material:

- Item①Top body:Thermoplastic ( UL94V-0 )
- Item②Bottom body:Thermoplastic ( UL94V-0 )
- Item③Spring clamp:Stainless steel
- Item④Female contact:PhBz,Tin plated

Electrical

- Voltage rating: 150V
- Current rating: 7A
- Solid wire(AWG): 18-28
- Stranded wire(AWG): 18-28
- Wire strip length: 7-8mm
- Withstanding Voltage: 1.6KV
- Operating temperature: -40°C to +115°C
- Safety Approval: us

mat'l. code		surface ASME Y14.5	tolerance ASME Y14.5	projection 	product family TERMINAL BLOCK
ltr	ecn no	dr	date	MM ←→	title TERMINAL BLOCK SPRING CLAMP,PLUGGABLE PLUG
		angles	X.±0.5	scale	dwg no VWxx10x000J0G
		X°±1'	X.X±0.3		
			X.XX±0.1		sheet 1 of 1 size A4
		dr	EVIN ZHONG 052014		
		enr	EVIN ZHONG 052014	type CUSTOMER Drawing	
		chr	HANKE FENG 052014		
		appd	SHI JUN 052014		
sheet index	revision sheet	A	1		