



Chipsmall Limited consists of a professional team with an average of over 10 year of expertise in the distribution of electronic components. Based in Hongkong, we have already established firm and mutual-benefit business relationships with customers from,Europe,America and south Asia,supplying obsolete and hard-to-find components to meet their specific needs.

With the principle of “Quality Parts,Customers Priority,Honest Operation,and Considerate Service”,our business mainly focus on the distribution of electronic components. Line cards we deal with include Microchip,ALPS,ROHM,Xilinx,Pulse,ON,Everlight and Freescale. Main products comprise IC,Modules,Potentiometer,IC Socket,Relay,Connector.Our parts cover such applications as commercial,industrial, and automotives areas.

We are looking forward to setting up business relationship with you and hope to provide you with the best service and solution. Let us make a better world for our industry!



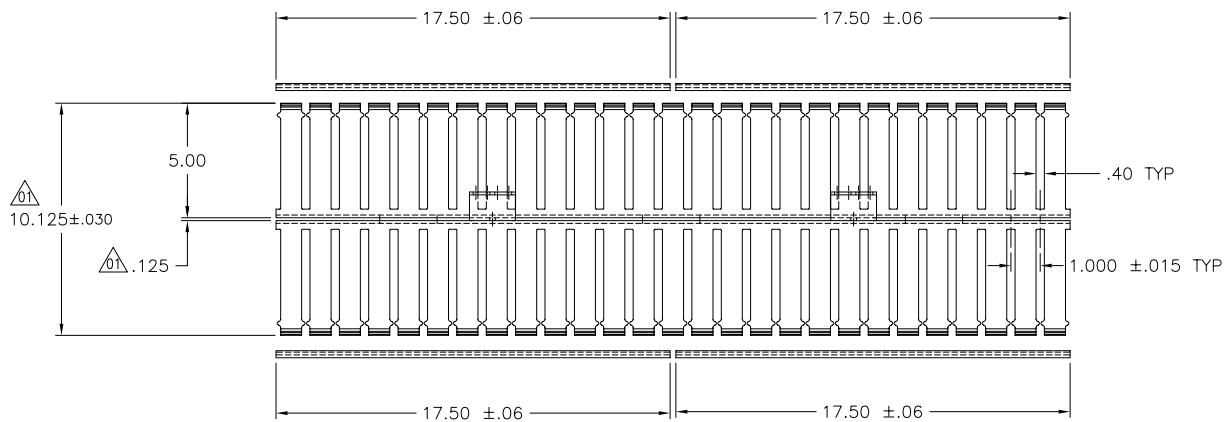
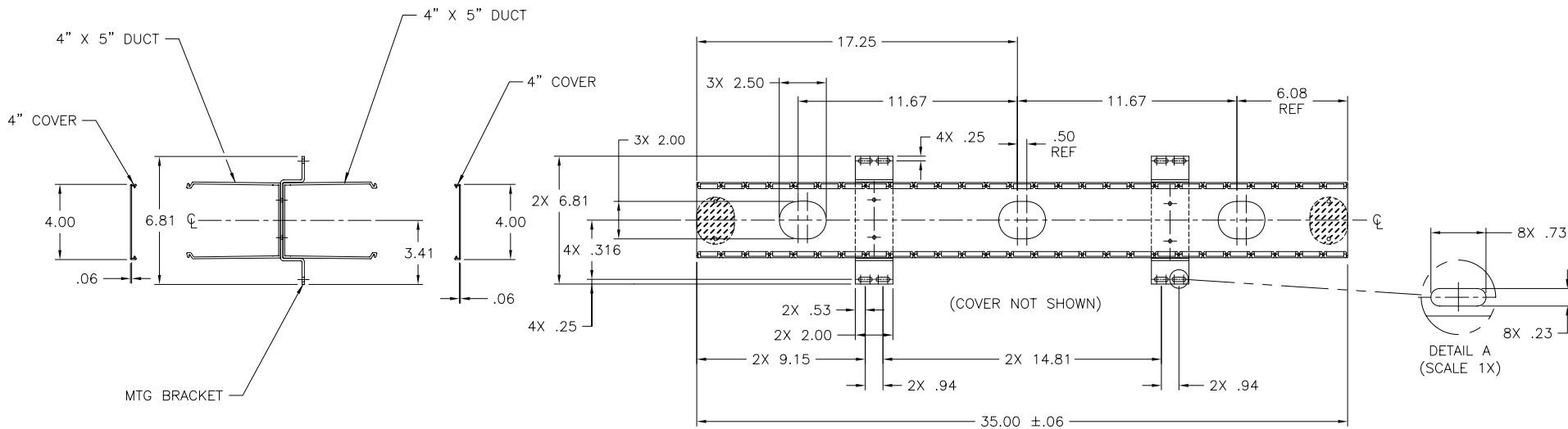
## Contact us

Tel: +86-755-8981 8866 Fax: +86-755-8427 6832

Email & Skype: info@chipsmall.com Web: www.chipsmall.com

Address: A1208, Overseas Decoration Building, #122 Zhenhua RD., Futian, Shenzhen, China





REDUCED  
NO SCALE

NOTES  
 1) HARDWARE FURNISHED  
 8X #12-24 X 3/4 LG BLACK ROUND HEAD COMBO SCREWS

REVISION  
 level  
 date 08/15/01  
 by AAC  
 ECN # 002636  
 part level -

DIMENSIONS  
 .XXXX = ±.0005  
 .XXX = ±.005  
 .XX = ±.01  
 .X = ±.03  
 ∠ = ±2'  
 unless otherwise specified  
 units inches

number VWMDC4X5BK phase PRODUCTION  
 name DOUBLE SIDED  
 VERTICAL 4 X 5 CENTER MOUNT  
 WIRE MANAGEMENT BRACKET  
 material PVC DUCT & COVER  
 ALUMINUM MTG. BRACKET  
 COLOR: BLACK

FORM C L OAD ACAD scale 4X  
 computer file number DT\CST\2012006\_01 previous number  
 E. MERMILLIAGE KAC  
 09/25/96 11/13/01  
 type CUSTOMER sheet 1 of 1  
 number DT2012006CST

HellermannTyton.  
 ALL PROPRIETARY RIGHTS IN THE SUBJECT MATTER SHOWN ON THIS DRAWING ARE EXCLUSIVE PROPERTY OF HELLERMANN TYTON

| name | date | city, state |
|------|------|-------------|
|      |      |             |
|      |      |             |
|      |      |             |