



Chipsmall Limited consists of a professional team with an average of over 10 year of expertise in the distribution of electronic components. Based in Hongkong, we have already established firm and mutual-benefit business relationships with customers from,Europe,America and south Asia,supplying obsolete and hard-to-find components to meet their specific needs.

With the principle of “Quality Parts,Customers Priority,Honest Operation,and Considerate Service”,our business mainly focus on the distribution of electronic components. Line cards we deal with include Microchip,ALPS,ROHM,Xilinx,Pulse,ON,Everlight and Freescale. Main products comprise IC,Modules,Potentiometer,IC Socket,Relay,Connector.Our parts cover such applications as commercial,industrial, and automotives areas.

We are looking forward to setting up business relationship with you and hope to provide you with the best service and solution. Let us make a better world for our industry!



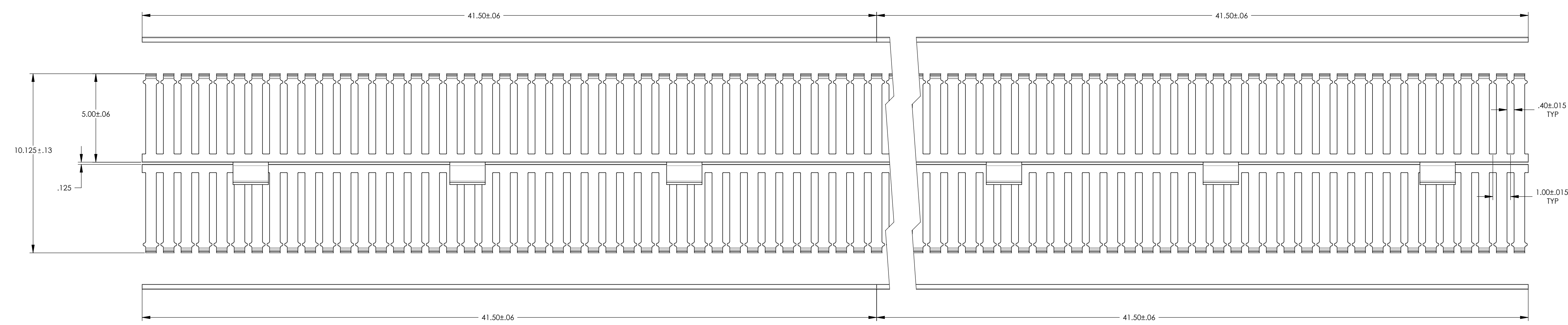
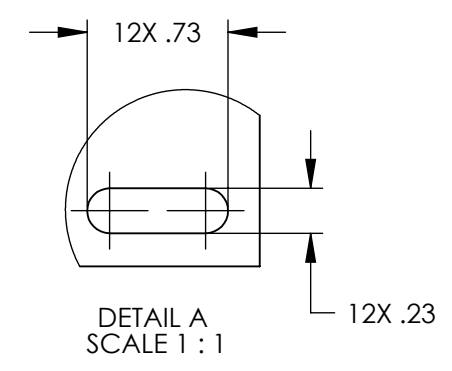
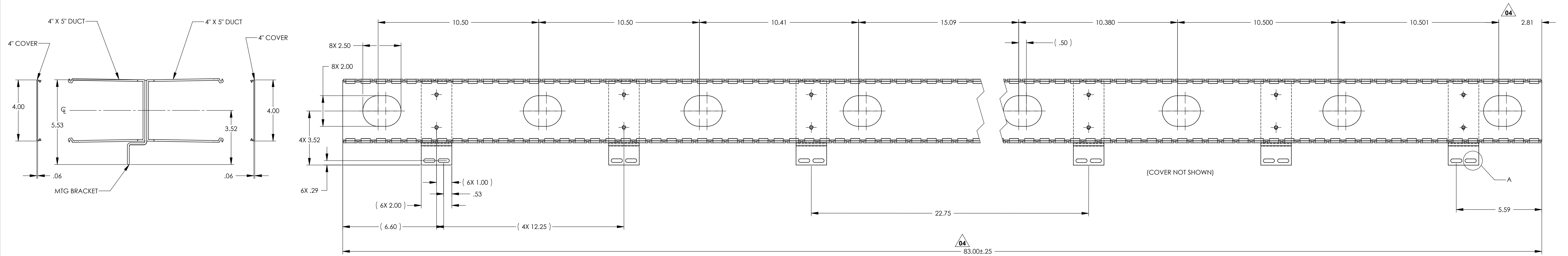
Contact us

Tel: +86-755-8981 8866 Fax: +86-755-8427 6832

Email & Skype: info@chipsmall.com Web: www.chipsmall.com

Address: A1208, Overseas Decoration Building, #122 Zhenhua RD., Futian, Shenzhen, China





HellermannTyton
 ALL PROPRIETARY RIGHTS IN THE SUBJECT MATTER SHOWN ON THIS DRAWING ARE EXCLUSIVE PROPERTY OF HELLERMANN TYTON

name	date	city, state

NOTES

- 1) HARDWARE FURNISHED:
 12 X #12-24 X 3/4" LG PHILLIPS RND HD MSCR(REF SP #SPL1002)

REVISION

level	04
by	AAC
date	03/11/14
ECN #	012602
part level	-

DIMENSIONS

.XXXX = ±.0005	
.XXX = ±.005	
.XX = ±.01	
.X = ±.03	
∠ = ±0.5°	
units	inches

PART

number	VWMS4X5BK7	phase	Production
name DOUBLE SIDED VERTICAL 4 X 5 SIDE MOUNT WIRE MANAGEMENT BRACKET 7 FEET			
material PVC DUCT & COVER ALUMINUM MTG. BRACKET COLOR: BLACK			

DRAWING

format	D	SW 2007	scale	1:3
version	N			
computer file number	DT2012015CST_04	previous number		
drawn	AAM	checked	KAC	approved
date	08/15/2000	checked	03/11/14	
type	Customer	sheet	1 of 1	
number	DT2012015CST			