



Chipsmall Limited consists of a professional team with an average of over 10 year of expertise in the distribution of electronic components. Based in Hongkong, we have already established firm and mutual-benefit business relationships with customers from,Europe,America and south Asia,supplying obsolete and hard-to-find components to meet their specific needs.

With the principle of “Quality Parts,Customers Priority,Honest Operation,and Considerate Service”,our business mainly focus on the distribution of electronic components. Line cards we deal with include Microchip,ALPS,ROHM,Xilinx,Pulse,ON,Everlight and Freescale. Main products comprise IC,Modules,Potentiometer,IC Socket,Relay,Connector.Our parts cover such applications as commercial,industrial, and automotives areas.

We are looking forward to setting up business relationship with you and hope to provide you with the best service and solution. Let us make a better world for our industry!



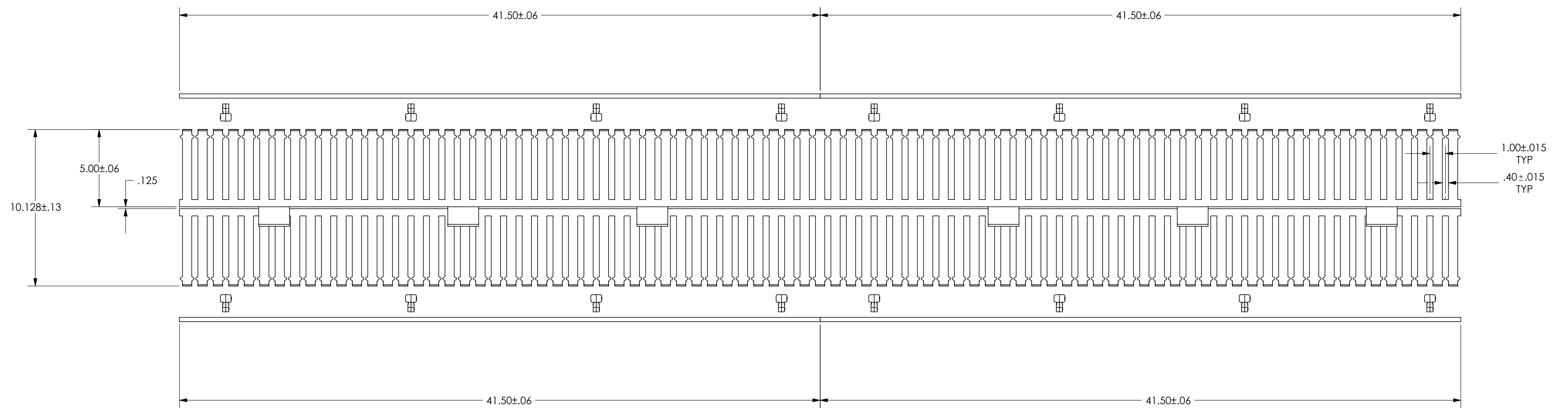
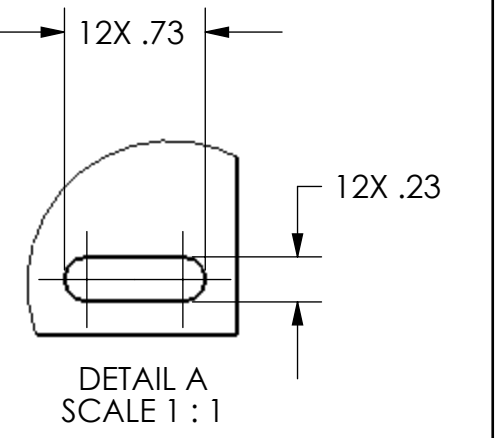
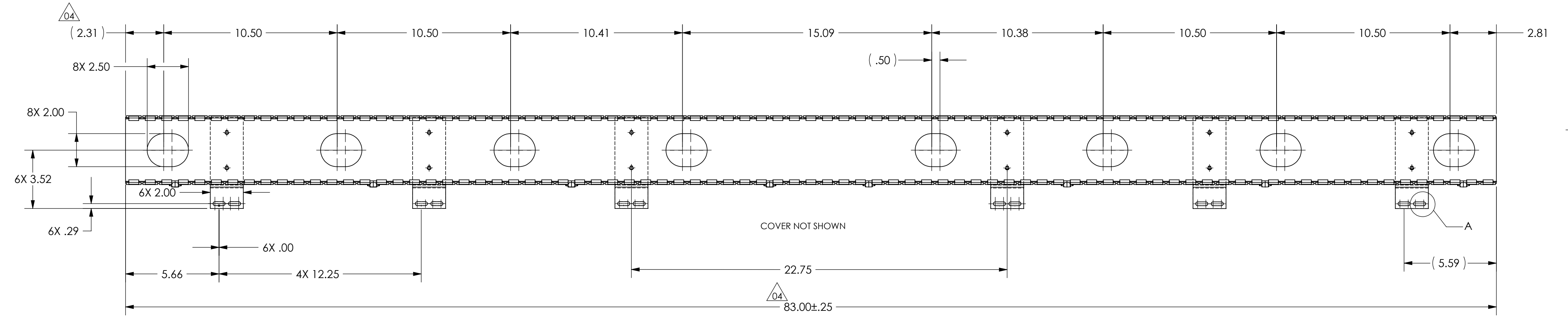
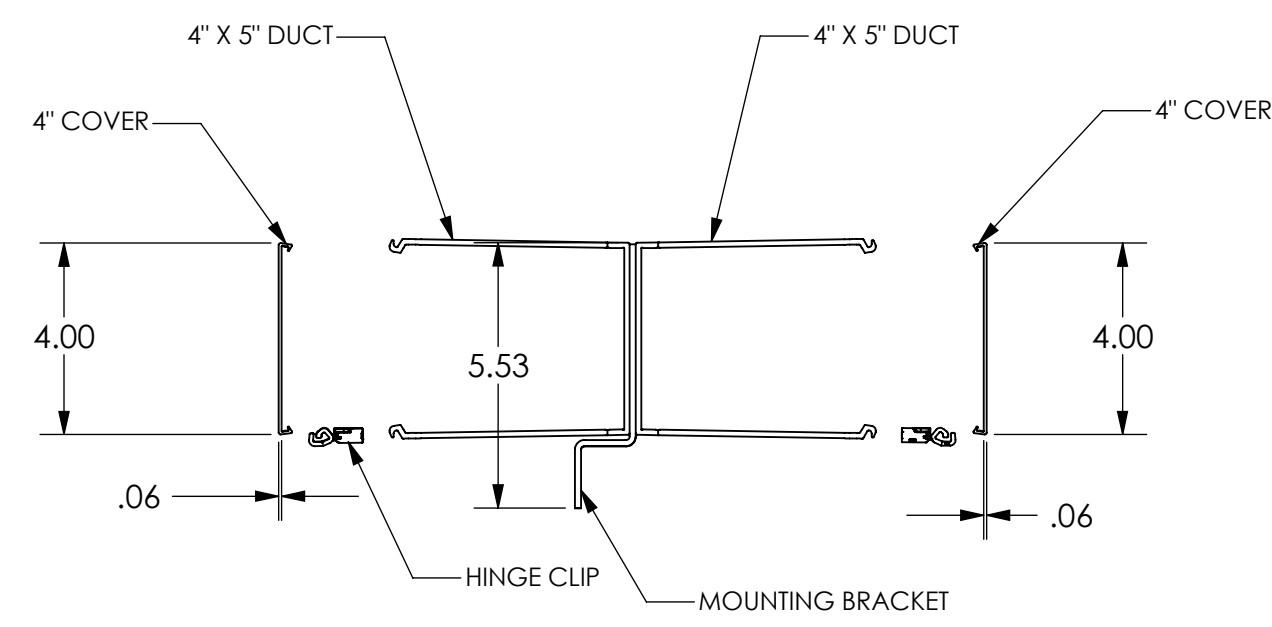
Contact us

Tel: +86-755-8981 8866 Fax: +86-755-8427 6832

Email & Skype: info@chipsmall.com Web: www.chipsmall.com

Address: A1208, Overseas Decoration Building, #122 Zhenhua RD., Futian, Shenzhen, China





PRODUCT CODE DESCRIPTION

VWMDS4X5_7H

COLOR
(CONSULT FACTORY FOR AVAILABLE COLORS)

NOTES

- HARDWARE FURNISHED IN FINAL PACKAGING
12X #12-24 X 3/4" LG ZINC-PLATED COMBO PAN HD MSCR (REF SP# SPL1002)

HellermannTyton		
ALL PROPRIETARY RIGHTS IN THE SUBJECT MATTER SHOWN ON THIS DRAWING ARE EXCLUSIVE PROPERTY OF HELLERMANNITYTON		
name	date	city, state

REVISION	level	04
	by	AAC
	date	03/14/14
	ECN #	012602
	part level	-

DIMENSIONS	.XXXX = ±.0005
	.XXX = ±.005
	.XX = ±.01
	.X = ±.03
	∠ = ±0.5°
units	inches

PART	number	VWMDS4X5_7H	phase	Production
	name	DUAL SIDED VERTICAL 4 X 5 SIDE MOUNT WIRE MANAGEMENT BRACKET WITH HINGE CLIP 7 FT		
	material	PVC DUCT & COVER ALUMINUM MITG. BRACKET		

DRAWING	format	D	SW 2007	scale	1:4
	computer file number	DT2012025CST_04	previous number		
	drawn	AAC	checked	KAC	approved
	date	07/24/2002	checked	03/14/14	
	type	Customer	sheet	1 of 1	
number	DT2012025CST				