



Chipsmall Limited consists of a professional team with an average of over 10 year of expertise in the distribution of electronic components. Based in Hongkong, we have already established firm and mutual-benefit business relationships with customers from,Europe,America and south Asia,supplying obsolete and hard-to-find components to meet their specific needs.

With the principle of “Quality Parts,Customers Priority,Honest Operation,and Considerate Service”,our business mainly focus on the distribution of electronic components. Line cards we deal with include Microchip,ALPS,ROHM,Xilinx,Pulse,ON,Everlight and Freescale. Main products comprise IC,Modules,Potentiometer,IC Socket,Relay,Connector.Our parts cover such applications as commercial,industrial, and automotives areas.

We are looking forward to setting up business relationship with you and hope to provide you with the best service and solution. Let us make a better world for our industry!



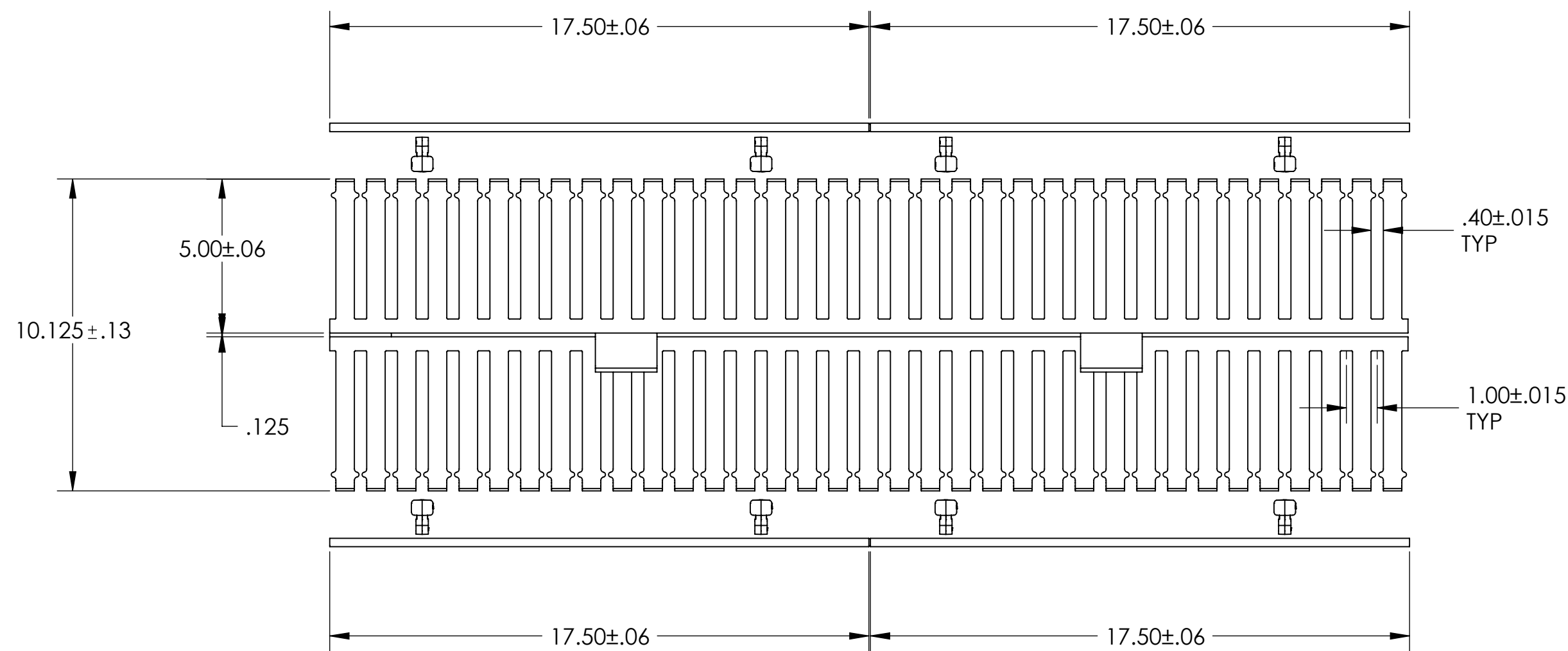
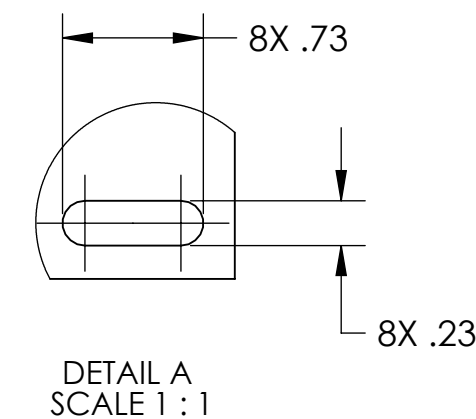
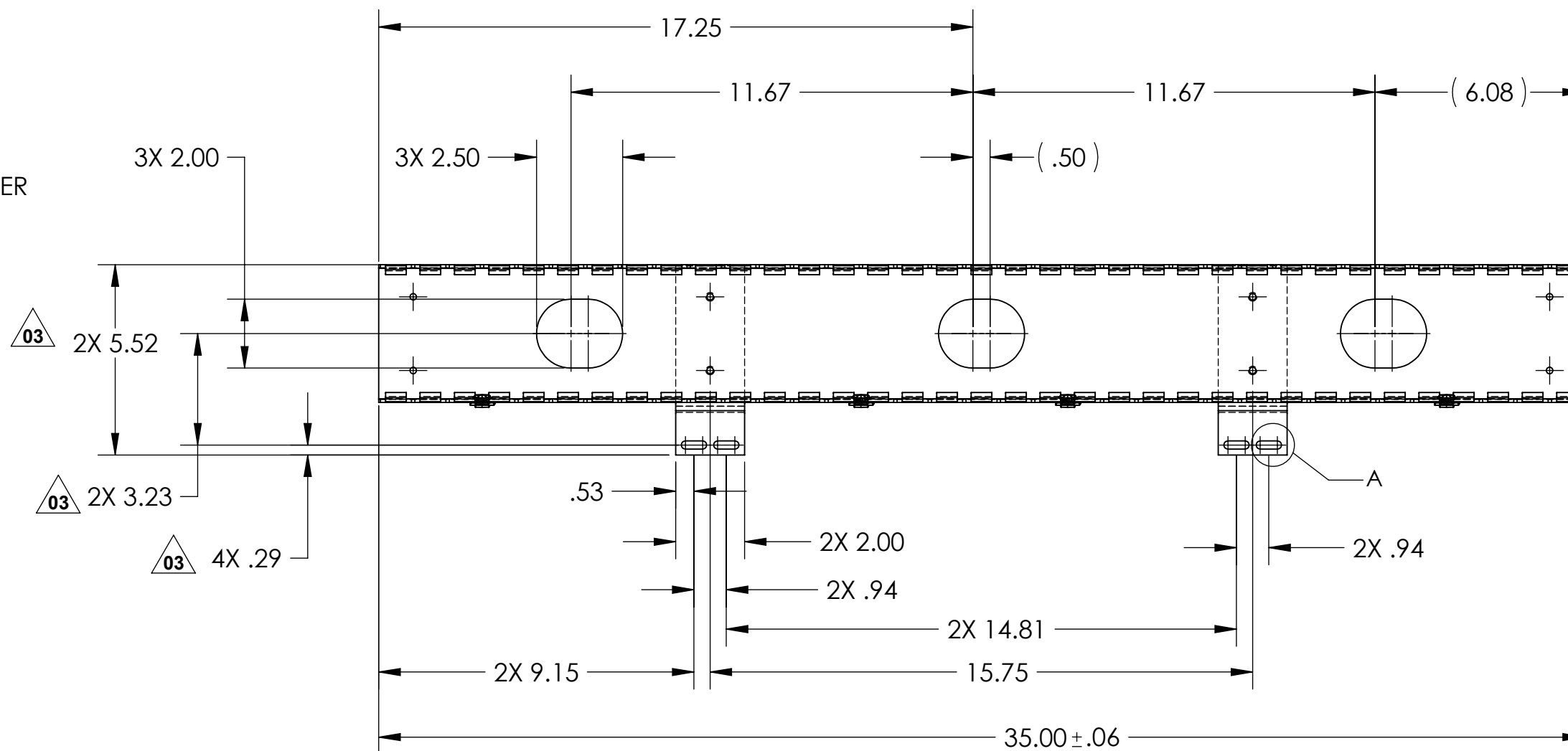
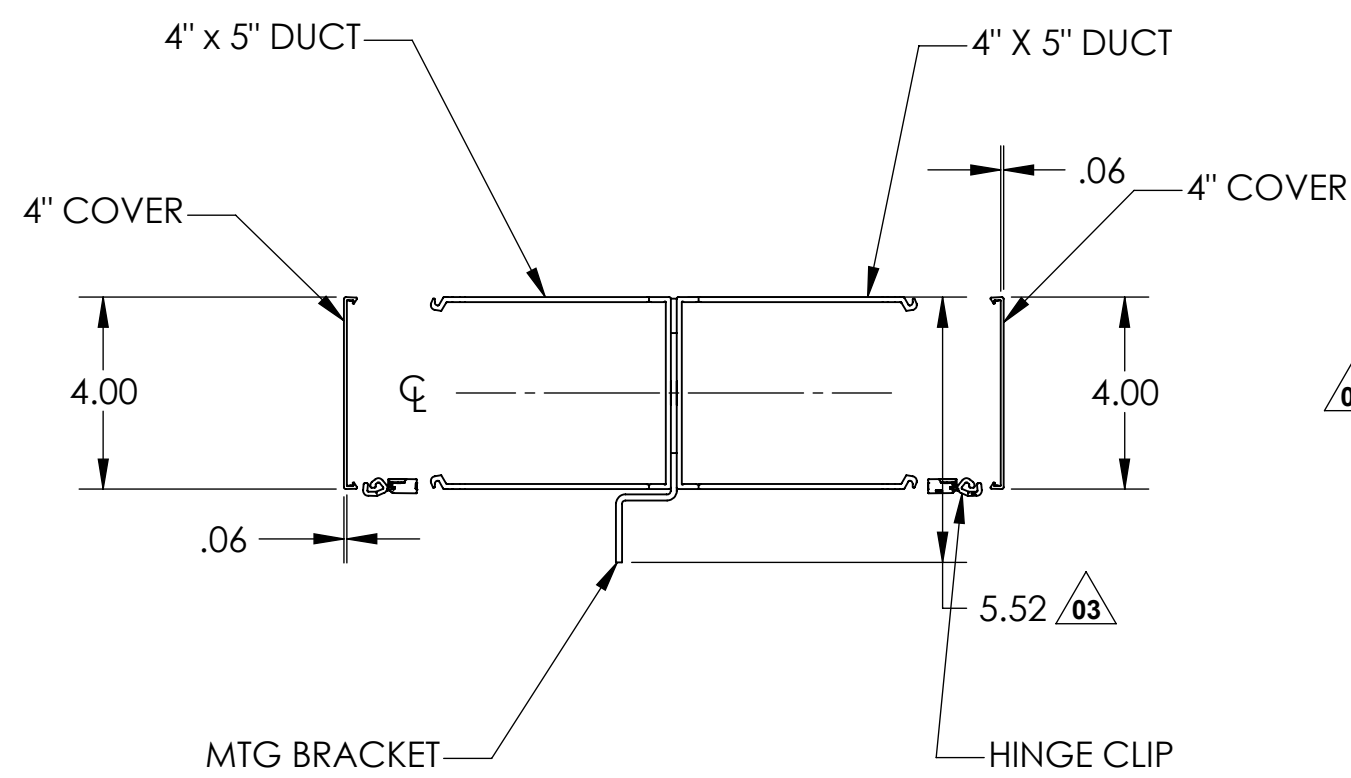
Contact us

Tel: +86-755-8981 8866 Fax: +86-755-8427 6832

Email & Skype: info@chipsmall.com Web: www.chipsmall.com

Address: A1208, Overseas Decoration Building, #122 Zhenhua RD., Futian, Shenzhen, China





INVENTORS

HellermannTyton®

name	date	city, state

NOTES

- 1) HARDWARE FURNISHED IN FINAL PACKAGING
4X #12-24 X 3/4" BLACK PAN HD COMBO MA SC 03

REVISION

level	03
by	AAC
date	11/06/2007
ECN #	010886
part level	-

TOLERANCES

.XXXX = ±.0005
.XXX = ±.005
.XX = ±.01
.X = ±.03
∠ = ±0.5°
unless otherwise specified
units inches

PART

number	VWMDS4X5BKH	phase	Production
name	DUAL SIDED VERTICAL 4 X 5 SIDE MOUNT WIRE MANAGEMENT BRACKET WITH HINGE CLIP		
material	PVC DUCT & COVER ALUMINUM MTG. BRACKET COLOR: BLACK		

DRAWING

format	C	CAD	SW 2007	scale	1:4
computer file name	DT2012026CST_03	previous drawing number			
drawn	AAC	checked	KAC	approved	
date	07/15/2002	checked	11/06/2007	approved	
type	Customer	sheet	1 of 1		
number	DT2012026CST				