



Chipsmall Limited consists of a professional team with an average of over 10 year of expertise in the distribution of electronic components. Based in Hongkong, we have already established firm and mutual-benefit business relationships with customers from,Europe,America and south Asia,supplying obsolete and hard-to-find components to meet their specific needs.

With the principle of “Quality Parts,Customers Priority,Honest Operation,and Considerate Service”,our business mainly focus on the distribution of electronic components. Line cards we deal with include Microchip,ALPS,ROHM,Xilinx,Pulse,ON,Everlight and Freescale. Main products comprise IC,Modules,Potentiometer,IC Socket,Relay,Connector.Our parts cover such applications as commercial,industrial, and automotives areas.

We are looking forward to setting up business relationship with you and hope to provide you with the best service and solution. Let us make a better world for our industry!



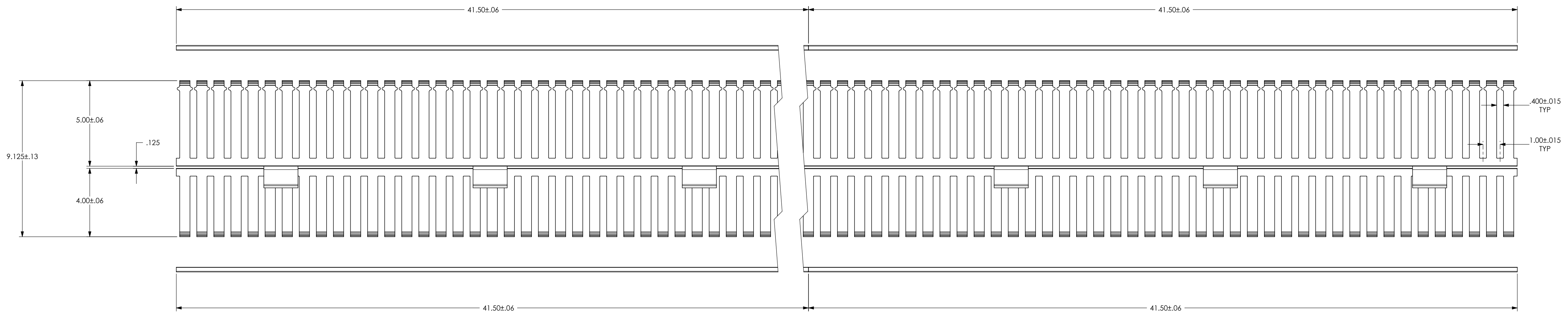
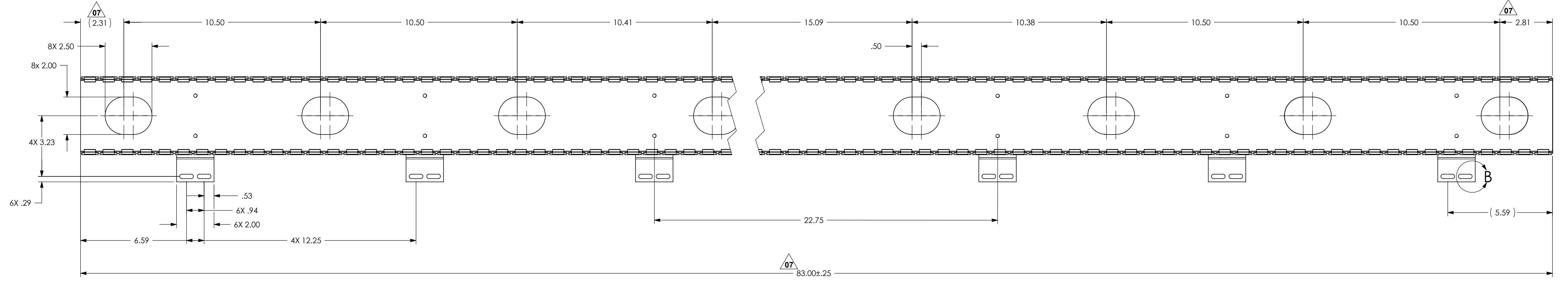
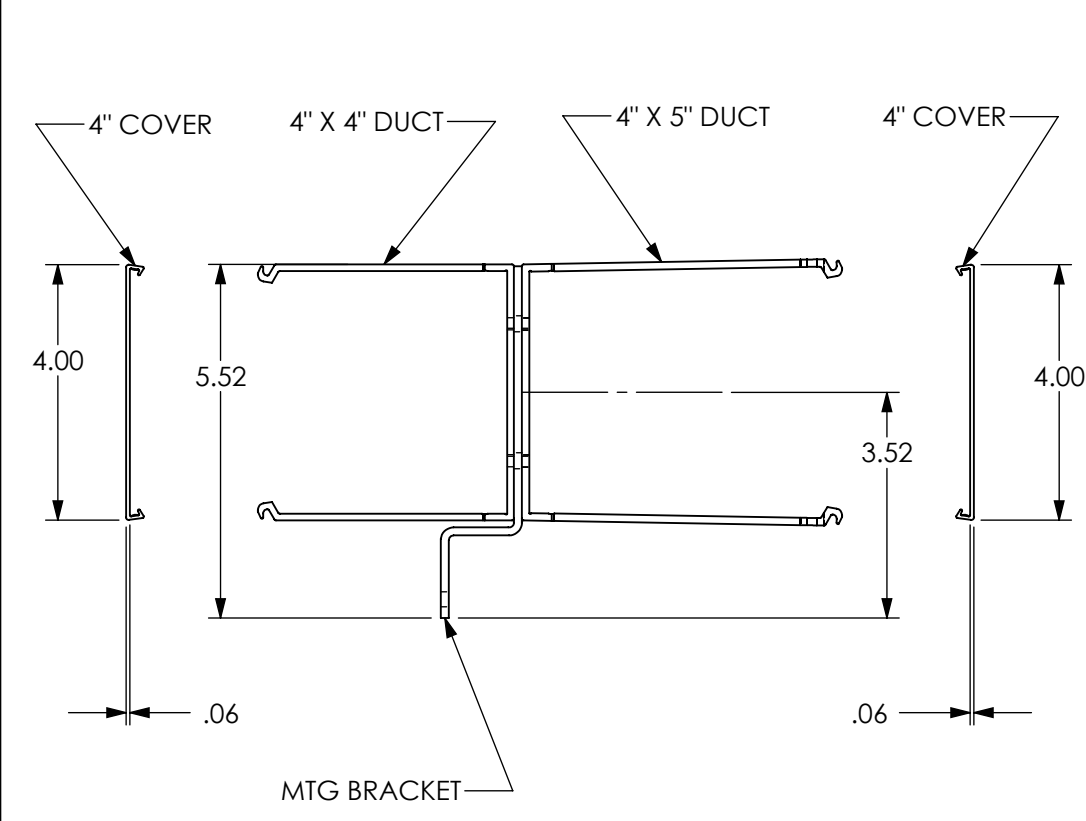
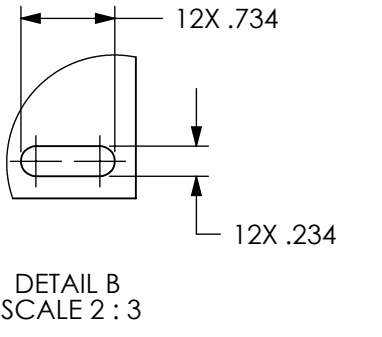
## Contact us

Tel: +86-755-8981 8866 Fax: +86-755-8427 6832

Email & Skype: info@chipsmall.com Web: www.chipsmall.com

Address: A1208, Overseas Decoration Building, #122 Zhenhua RD., Futian, Shenzhen, China





**HellermannTyton**  
ALL PROPRIETARY RIGHTS IN THE SUBJECT MATTER SHOWN ON THIS DRAWING ARE EXCLUSIVE PROPERTY OF HELLERMANN TYTON

name	date	city	state

NOTES

1) HARDWARE FURNISHED  
12 X #12-24 X 3/4 LG ZINC-PLATED COMBO PAN HD MSCR (REF SP # SPL1002)

REVISION	level	07
	by	AAC
	date	03/14/14
	ECN #	012602
	part level	-

PART	number	VWMS4X4X5BK7	phase	Production
	name	DOUBLE SIDED 4X4 & 4 X 5 SIDE MOUNT VERTICAL WIRE MANAGEMENT BRACKET 7 FT		
	material	PVC DUCT & COVER ALUMINUM MTG. BRACKET COLOR: BLACK		

DRAWING	format	D	SW 2007	scale	1:3
	computer file number	DT2012016CST_07	previous number		
	drawn	AAM	checked	KAC	approved
	date	09/01/2000	checked	03/14/14	approved
	type	Customer	sheet	1 of 1	number