



Chipsmall Limited consists of a professional team with an average of over 10 year of expertise in the distribution of electronic components. Based in Hongkong, we have already established firm and mutual-benefit business relationships with customers from,Europe,America and south Asia,supplying obsolete and hard-to-find components to meet their specific needs.

With the principle of "Quality Parts,Customers Priority,Honest Operation,and Considerate Service",our business mainly focus on the distribution of electronic components. Line cards we deal with include Microchip,ALPS,ROHM,Xilinx,Pulse,ON,Everlight and Freescale. Main products comprise IC,Modules,Potentiometer,IC Socket,Relay,Connector.Our parts cover such applications as commercial,industrial, and automotives areas.

We are looking forward to setting up business relationship with you and hope to provide you with the best service and solution. Let us make a better world for our industry!



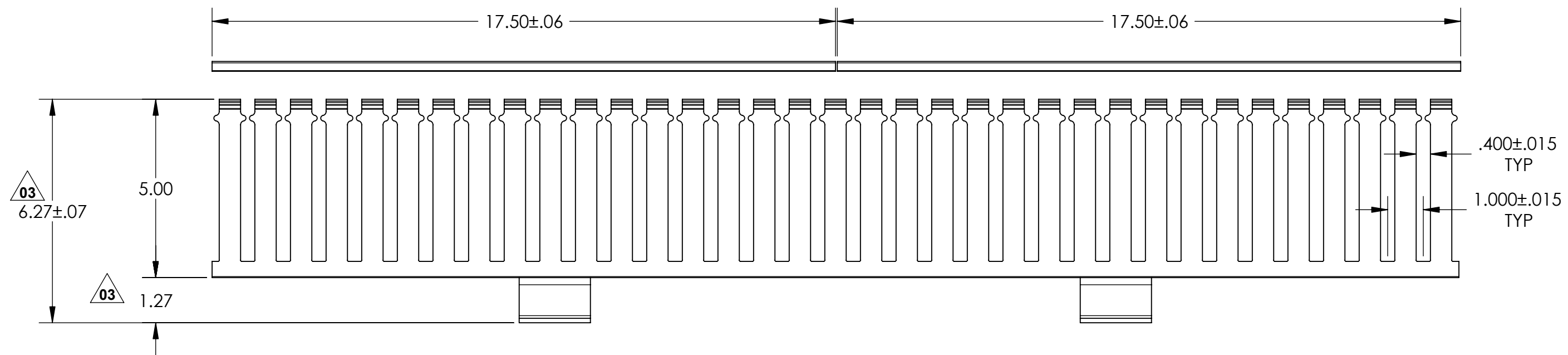
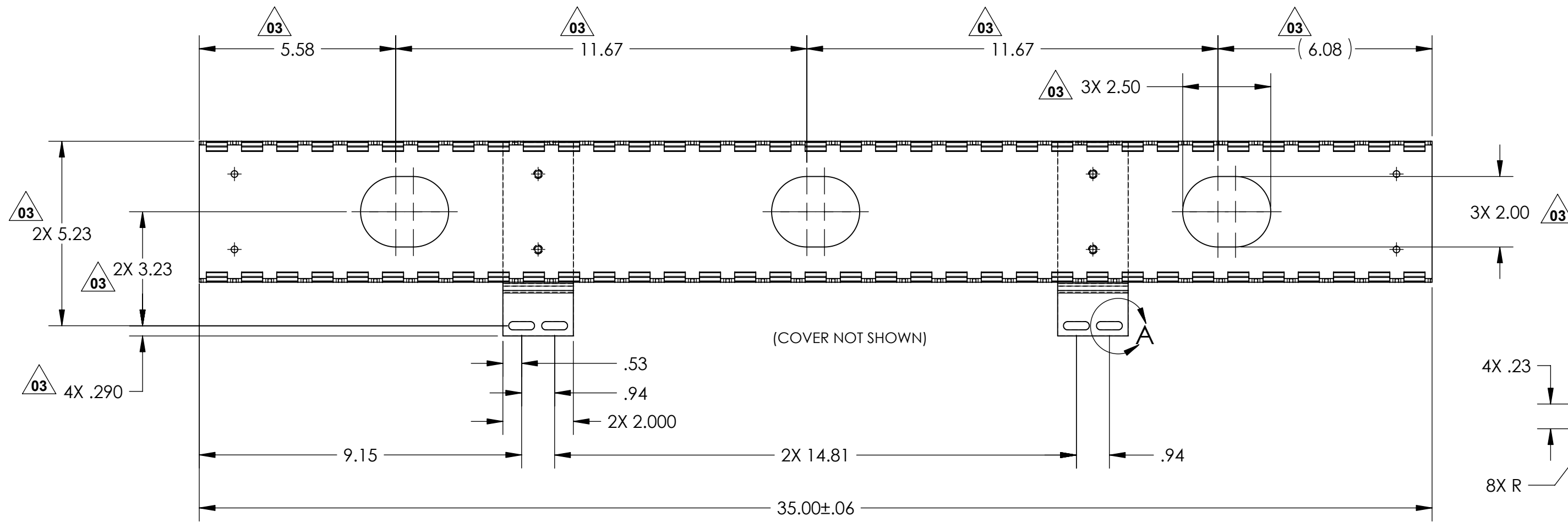
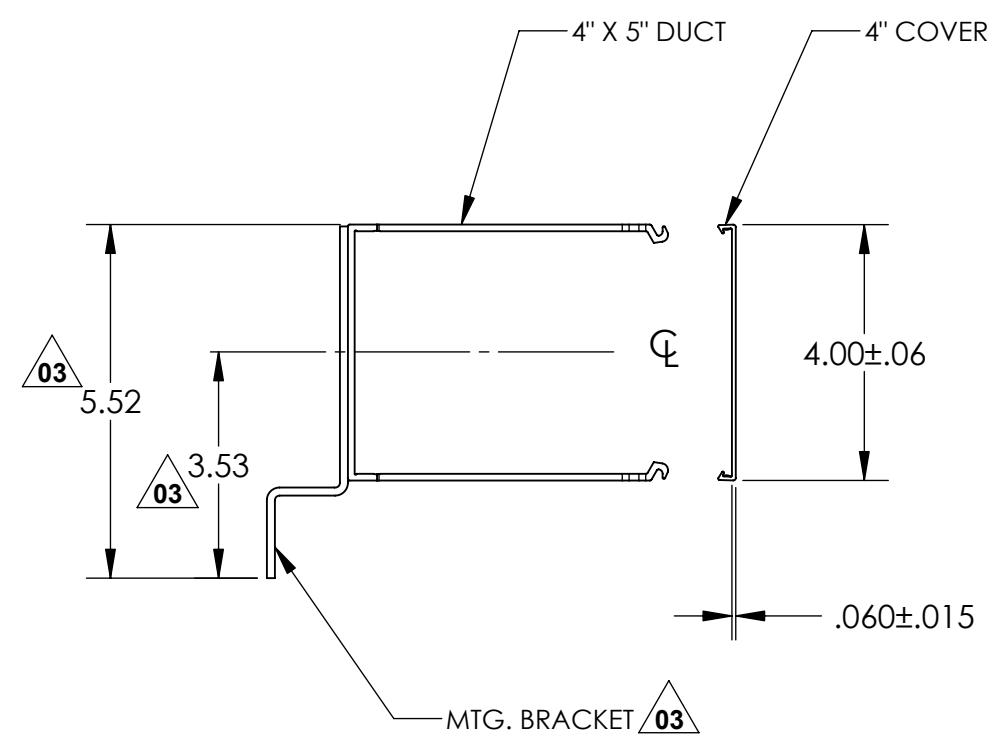
Contact us

Tel: +86-755-8981 8866 Fax: +86-755-8427 6832

Email & Skype: info@chipsmall.com Web: www.chipsmall.com

Address: A1208, Overseas Decoration Building, #122 Zhenhua RD., Futian, Shenzhen, China





HellermannTyton®
ALL PROPRIETARY RIGHTS IN THE SUBJECT MATTER SHOWN ON THIS DRAWING ARE EXCLUSIVE PROPERTY OF HELLERMANN TYTON

name	date	city, state

NOTES
1) HARDWARE FURNISHED (4) #12-24 X 3/4" BLACK PAN HD COMBO MA SC

REVISION

level	03
by	AAC
date	02/08/2007
ECN #	010628
part level	-

TOLERANCES

.XXXX	= ±.0005
.XXX	= ±.005
.XX	= ±.01
.X	= ±.03
∠	= ±0.5°
unless otherwise specified	
units	inches

PART

number	VWMS4X5BK	phase	Production
name SINGLE SIDED VERTICAL 4 X 5 SIDE MOUNT WIRE MANAGEMENT BRACKET			
material PVC DUCT & COVER ALUMINUM MTG. BRACKET COLOR: BLACK			

DRAWING

format	version	CAD	SW 2007	scale	1:3
computer file name	DT2012003CST_03	previous drawing number			
drawn	E MERMILIA	checked	KAC	approved	
date	09/25/1996	date	02/08/2007	approved	
type	Customer	sheet	1 of 1		
number	DT2012003CST				